

3M

PELTOR™

ComTac™ VI NIB Headset

MT20H682**-**N**



COMHEAD®



PROTECTIVE EAR TO EAR COMMUNICATION

Comhead Headset Company GmbH • www.comhead.de
Borsteler Chaussee 51 • info@comhead.de
22453 Hamburg • +49 40 500 580 20
Germany

Quick guide

Fig 1

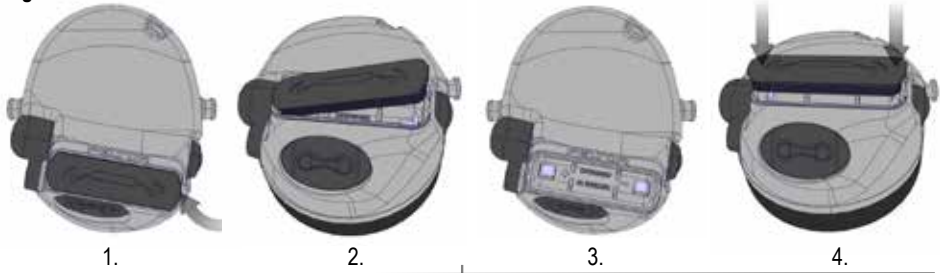


Fig 2

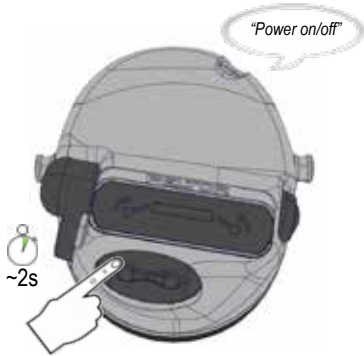


Fig 3

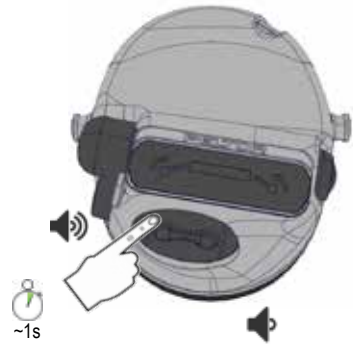


Fig 4

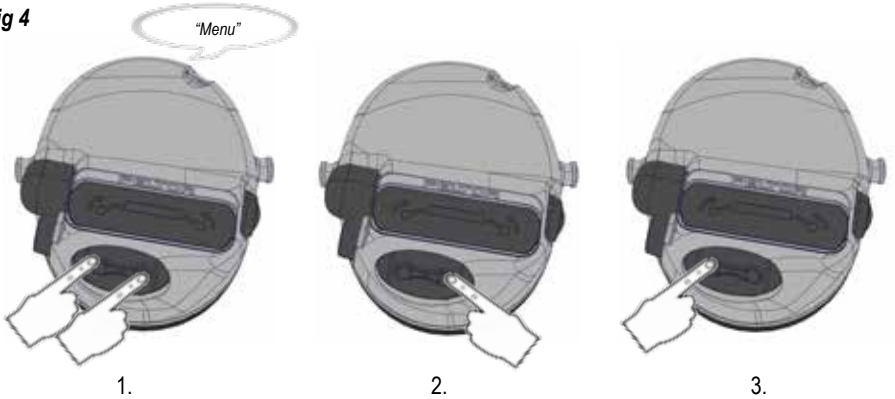


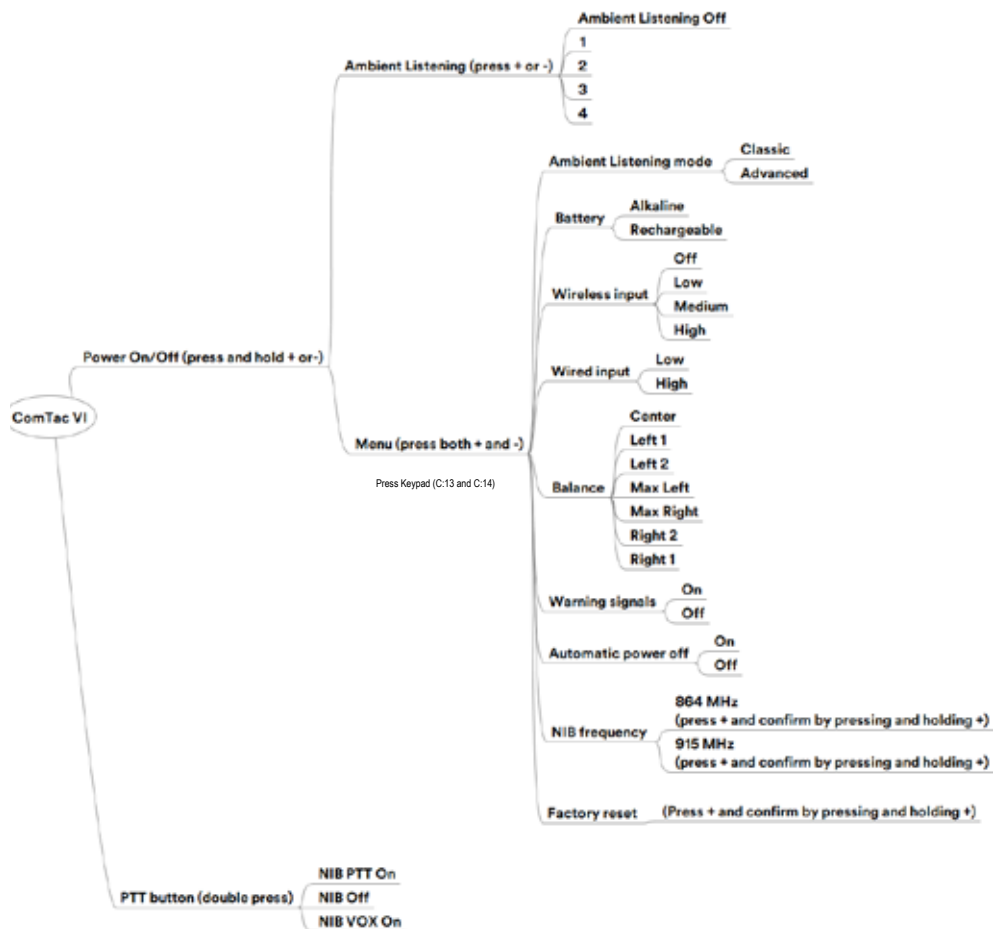
Fig 7



Fig 8



Fig 9



A) EN 352-1

Folding Headband with foam cushion
MT20H682FB-**N**

A:1 Frequency (Hz)	125	250	500	1000	2000	4000	8000	A:5 H	A:5 M	A:5 L	SNR
A:2 Mean attenuation (dB)	11.5	17.9	27.8	30.0	32.1	36.2	40.3	31 dB	25 dB	16 dB	28 dB
A:3 Standard deviation (dB)	2.5	2.7	1.8	2.3	3.0	2.0	3.1				
A:4 APV (dB)	9.0	15.3	25.9	27.7	29.1	34.2	37.2				



Neckband with foam cushion
MT20H682BB-**N**

A:1 Frequency (Hz)	125	250	500	1000	2000	4000	8000	A:5 H	A:5 M	A:5 L	SNR
A:2 Mean attenuation (dB)	16.6	16.8	27.4	32.1	33.1	33.0	36.1	31 dB	25 dB	18 dB	28 dB
A:3 Standard deviation (dB)	1.8	2.3	2.2	2.1	3.2	2.9	3.2				
A:4 APV (dB)	14.8	14.5	25.2	30.0	29.9	30.1	32.9				



Folding Headband with gel cushion
MT20H682FB-**N** with HY80-EU

A:1 Frequency (Hz)	125	250	500	1000	2000	4000	8000	A:5 H	A:5 M	A:5 L	SNR
A:2 Mean attenuation (dB)	15.1	18.2	26.2	32.2	30.4	29.3	36.7	27 dB	25 dB	18 dB	27 dB
A:3 Standard deviation (dB)	3.4	3.0	2.2	2.5	3.7	3.7	4.0				
A:4 APV (dB)	11.7	15.2	24.0	29.7	26.7	25.6	32.7				



A:6 EN352-4 Criterion levels

H	110,1 dB(A)
M	100,9 dB(A)
L	88,7 dB(A)

A:7 Cable: EN352-6 External input level

A:8 Input (mV)	A:9 SPL (dB(A))	A:10 Standard deviation (dB)
15	72.1	1.9
26	77.1	1.9
47	82.1	2.0
84	87.1	1.9
149	90.3	0.9

A:11 **Cable**: The electrical input level for which the sound pressure level is equal to 82 dB(A): 36,7 mV

A:7 MI: EN352-6 External input level

A:8 Input (mV)	A:9 SPL (dB(A))
21.3	70
28.8	75
48.5	80
80.1	85
223.9	90

A:11 **Magnetic Induction**: The electrical input level for which the sound pressure level is equal to 82 dB(A): 59 mV

A:7 NIB: EN352-6 External input level

A:8 Input (mV)	A:9 SPL (dB(A))
0.7	70
1.2	75
2.3	80
4.3	85
7.5	90

A:11 **NIB**: The electrical input level for which the sound pressure level is equal to 82 dB(A): 2,9 mV

B) AZ/NZS 1270:2002

Folding Headband with foam cushion
MT20H682FB-**N**

B:1 Frequency (Hz)	125	250	500	1000	2000	4000	8000	SLC ₈₀	Class	Clamping force 12 N
B:2 Mean attenuation (dB)	15.2	18.0	26.5	30.5	30.7	33.3	35.9	27 dB	5	Mass 355g
B:3 Standard deviation (dB)	3.3	2.5	3.3	2.8	3.8	2.5	3.6			
B:4 Mean minus SD	11.9	15.5	23.2	27.7	26.9	30.8	32.3			

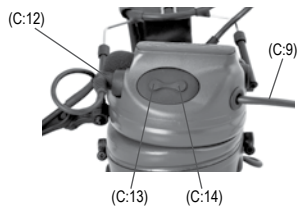


Neckband with foam cushion
MT20H682BB-**N**

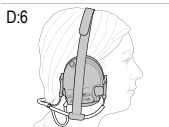
B:1 Frequency (Hz)	125	250	500	1000	2000	4000	8000	SLC ₈₀	Class	Clamping force 11.4 N
B:2 Mean attenuation (dB)	8.0	10.9	18.2	25.7	28.6	31.5	32.8	20 dB	3	Mass 331g
B:3 Standard deviation (dB)	4.0	4.8	5.6	4.4	2.6	5.2	5.8			
B:4 Mean minus SD	4.0	6.1	12.6	21.3	26.0	26.3	27.0			



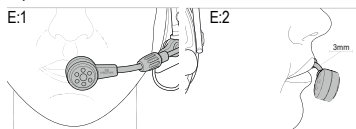
C)



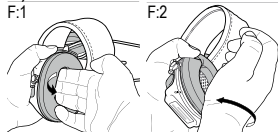
D)



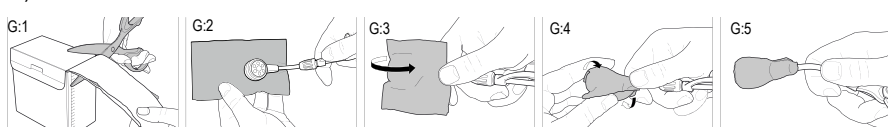
E)



F)



G)



3M™ PELTOR™ ComTac™ VI NIB Headset

EN	1-6
BG	7-12
CZ	13-18
DE	19-24
DK	25-30
EE	31-36
ES	37-42
FI	43-48
FR	49-54
GR	55-60
HR	61-66
HU	67-72
IS	73-78
IT	79-84
KZ	85-90
LT	91-96
LV	97-102
NL	103-108
NO	109-114
PL	115-120
PT	121-126
RO	127-132
RS	133-138
RU	139-146
SE	147-152
SI	153-158
SK	159-164
TR	165-170
UA	171-176

3M™ PELTOR™ ComTac™ VI NIB Headset MT20H682**.*N**

INTRODUCTION

Congratulations and thank you for choosing 3M™ PELTOR™ communication solutions! Welcome to the next generation of protective communication.

INTENDED USE

These 3M™ PELTOR™ headsets are intended to provide protection against hazardous noise levels and loud sounds while allowing the user to hear the surroundings via the ambient/environmental microphones, listen to connected communication devices and communicate face-to-face with integrated Natural Interaction Behavior (NIB) Technology in high levels of steady state noise. It is expected that all users read and understand the provided user instructions as well as be familiar with the use of this device.

IMPORTANT

Please read, understand, and follow all safety information in these instructions prior to use. Retain these instructions for future reference. For additional information or any questions, contact 3M Technical Services (contact information listed on the last page).



WARNING

This hearing protector helps reduce exposure to hazardous noise and other loud sounds. Misuse or failure to wear hearing protection at all times when exposed to hazardous noise may result in hearing loss or injury. For correct use, consult supervisor and User Instructions, or call 3M Technical Services. If your hearing seems dulled or you hear a ringing or buzzing during or after any noise exposure (including gunfire), or for any other reason you suspect a hearing problem, leave the noisy environment immediately and consult a medical professional and/or your supervisor.

Failure to follow these instructions may result in serious injury or death:

- Listening to music or other audio communication may reduce your situational awareness and ability to hear warning signals. Stay alert and adjust the audio volume to the lowest acceptable level. The audibility of warning signals at a specific workplace may be impaired while using the entertainment facility.
- To reduce the risks associated with igniting an explosion, do not use this product in a potentially explosive atmosphere.

Failure to follow these instructions may reduce the protection provided by the earmuff and may result in hearing loss:

- Research suggests that users may receive less noise reduction than indicated by the attenuation value(s) on the packaging, due to variation in fit, fitting skill, and motivation of the user. Refer to your applicable regulations for guidance on how to adjust label values and estimate attenuation. In addition, 3M strongly recommends fit testing of hearing protectors.

- Ensure the hearing protector is properly selected, fit, adjusted, and maintained. Improper fit of this device will reduce its effectiveness in attenuating noise. Consult the enclosed instructions for proper fit.
- Inspect the hearing protector before each use. If damaged, select an undamaged hearing protector or avoid the noisy environment.
- When additional personal protective equipment is necessary (e.g. safety glasses, respirators, etc.), select flexible, low profile temples or straps to minimize interference with the earmuff cushion. Remove all other unnecessary articles (e.g. hair, hats, jewelry, headphones, hygiene covers, etc.) that could interfere with the seal of the earmuff cushion and reduce the protection of the earmuff.
- Do not bend or reshape the headband or neckband, and ensure there is adequate force to hold the earmuffs firmly in place.
- Earmuffs, and in particular cushions, may deteriorate with use and should be examined at frequent intervals for cracking and leakage, for example. When used regularly, replace the ear cushions and foam liners at least twice a year to maintain consistent protection, hygiene, and comfort.
- The output of the electrical audio circuit of this hearing protector may exceed the daily limit sound level. Adjust the audio volume to the lowest acceptable level.
- If the requirements above are not adhered to, the protection afforded by the earmuffs will be severely impaired.

EN 352 Safety Statements:

- The output of the level-dependent circuit of this hearing protector may exceed the external sound level.
- The fitting of hygiene covers to the cushions may affect the acoustic performance of the earmuffs.
- Performance may deteriorate with battery usage. The typical period of continuous use that can be expected from the earmuff battery is approximately:
 - LDF and NIB: 30 hours
 - LDF: 50 hours
- This product may be adversely affected by certain chemical substances. Further information should be sought from the manufacturer.
- These earmuffs are of small size range. Earmuffs complying with EN 352-1 are of 'medium size range' or 'small size range' or 'large size range'. 'Medium size range' earmuffs will fit the majority of wearers. 'Small size range' or 'large size range' earmuffs are designed to fit wearers for whom 'medium size range' earmuffs are not suitable.
- The product is not suited for high continuous low frequency noise levels.

CAUTION:

- Risk of explosion if battery is replaced by an incorrect type.
- Always use product-specific 3M replacement parts. Use of unauthorized replacement parts may reduce the protection you receive from this product.

NOTE

- When worn according to these User Instructions, this hearing protector helps reduce exposure to both continuous noises, such as industrial noises and noises from vehicles and aircraft,

as well as very loud impulse noises, such as gunfire. It is difficult to predict the required and/or actual hearing protection obtained during exposure to impulse noises. For gunfire, the weapon type, number of rounds fired, proper selection, fit and use of hearing protection, proper care of hearing protection, and other variables will impact performance. To learn more about hearing protection for impulse noise, visit www.3M.com/hearing.

- This earmuff is provided with level-dependent attenuation. The wearer should check correct operation before use. If distortion or failure is detected, the wearer should refer to the manufacturer's advice for maintenance and replacement of the battery.
- This earmuff is provided with electrical audio input. The wearer should check correct operation before use. If distortion or failure is detected, the wearer should refer to the manufacturer's advice.
- Operating temperature range: $-20\text{ }^{\circ}\text{C}$ ($-4\text{ }^{\circ}\text{F}$) to $55\text{ }^{\circ}\text{C}$ ($131\text{ }^{\circ}\text{F}$)
- Storage temperature range: $-20\text{ }^{\circ}\text{C}$ ($-4\text{ }^{\circ}\text{F}$) to $55\text{ }^{\circ}\text{C}$ ($131\text{ }^{\circ}\text{F}$)
- Weight of hearing protector: MT20H682FB-**N**** = 340 g, MT20H682BB-**N**** = 313 g, MT20H682FB-**N******(HY80)** = 379 g.
- Shelf life: 5 years, excluding batteries.

APPROVALS

Hereby, 3M Svenska AB declares that the radio communication is in compliance with Directive 2014/53/EU and other appropriate directives to fulfill the requirements for the CE marking. 3M Svenska AB also declares that the PPE type headset is in compliance with Regulation (EU) 2016/425 or Community Directive 89/686/EEC.

The applicable legislation can be determined by reviewing the Declaration of Conformity (DoC) at www.3M.com/peltor/doc. The DoC will also show if some other type-approvals are also applicable. When retrieving your DoC, please locate your part number. The part number of your earmuffs can be found at the bottom of one cup. An example can be seen in the picture below.



The PPE is audited annually (if Category III products) and type approved by Finnish Institute of Occupational Health, Notified Body No. 0403, Topeliuksenkatu 41 b, FI-00250 Helsinki, Finland. The product has been tested and approved in accordance with EN 352-1:2002, EN 352-4:2001/A1:2005, EN 352-6:2002.

A copy of the DoC and additional information required in the Directives can also be obtained by contacting 3M in the country of purchase. For contact information, see last pages of this user instruction.



This product contains electrical and electronic components and must not be disposed of using standard refuse collection. Please consult local directives for disposal of electrical and electronic equipment.

LABORATORY ATTENUATION

The attenuation rating (SNR) was obtained with the device powered off. Explanation of attenuation tables:

European Standard EN 352

Research suggests that users may receive less noise reduction than indicated by the attenuation value(s) on the packaging, due to variation in fit, fitting skill, and motivation of the user. Refer to your applicable regulations for guidance on how to adjust label values and estimate attenuation. In addition, 3M strongly recommends fit testing of hearing protectors.

A:1 Frequency (Hz)

A:2 Mean attenuation (dB)

A:3 Standard deviation (dB)

A:4 Assumed protection value, APV (dB)

A:5

H = Hearing protection estimation for high frequency sounds ($f \geq 2000\text{ Hz}$).

M = Hearing protection estimation for medium frequency sounds ($500\text{ Hz} < f < 2000\text{ Hz}$).

L = Hearing protection estimation for low frequency sounds ($f \leq 500\text{ Hz}$).

A:6 Criterion Level

H = Criterion level for high-frequency noise

M = Criterion level for medium-frequency noise

L = Criterion level for low-frequency noise

A:7 European Standard EN 352-6 External Audio Input Levels

A:8 Input signal level U (mV, RMS)

A:9 Mean sound pressure level (dB(A))

A:10 Sound pressure standard deviation (dB)

A:11 Input signal level for which the mean plus one standard deviation equals 82 dB(A)

B) Australia/New Zealand Standard AS/NZS 1270:2002

B:1 Test Frequencies

B:2 Mean Attenuation, Mean AT

B:3 Standard Deviation, St Dev

B:4 Mean minus SD

COMPONENTS

C:1 Foldable headband (stainless steel sheet, leather)

C:2 Cup supporting arm (stainless steel)

C:3 Two-point fasteners (POM)

C:4 Cup

C:5 Battery lid

C:6 Microphone for ambient/environmental listening

C:7 Damping pad (PUR foam)

C:8 Ear cushion (PVC foil, PUR foam)

C:9 External input cable (PUR)(only specific models)

C:10 Speech microphone (TPE, PC)(only specific models)

C:11 Neckband (stainless steel, TPO)

C:12 Speech microphone input (only specific models)

C:13 [-] button on keypad
 C:14 [+] button on keypad
 C:15 NIB PTT

FITTING INSTRUCTIONS

Headband

D:1 Slide out the cups and tilt the top of the shell out, as the cable must be on the outside of the headband.
 D:2 Adjust the height of the cups by sliding them up or down while holding the headband in place.
 D:3 The headband should be positioned across the top of the head as shown and should support the weight of the headset.

Neckband

D:4 Place the cups in position over the ears.
 D:5 Keep the cups in position, place the head strap on top of your head and lock it tight in position.
 D:6 The head strap should be positioned across the top of your head.

E:1-E:2 Fitting the speech microphone

To maximize the performance of the speech microphone in noisy areas, position the microphone very close to your mouth (less than 3 mm or 1/8 inch).

NOTE: When used in high altitudes/aviation the surrounding pressure can be reduced rapidly and affect the microphone sensitivity, for example during helicopter ascent. If this occurs position the microphone closer and/or speak louder to increase the pressure on the microphone membrane.

OPERATING INSTRUCTIONS

Replacing the batteries (Fig 1)

1-2. Remove the battery compartment lids and insert the batteries (2xAAA).
 3. The battery polarity must correspond to the marking in the battery compartment.
 4. The lids must be pressed all the way down to ensure good seal. Low battery level is indicated by a voice message "low battery", repeatedly.

Switching the headset on and off (Fig 2)

Press and hold the [+] or [-] button for approximately 2 seconds to switch the headset on or off. A voice guide will confirm. The current setting is always saved when the headset is switched off.

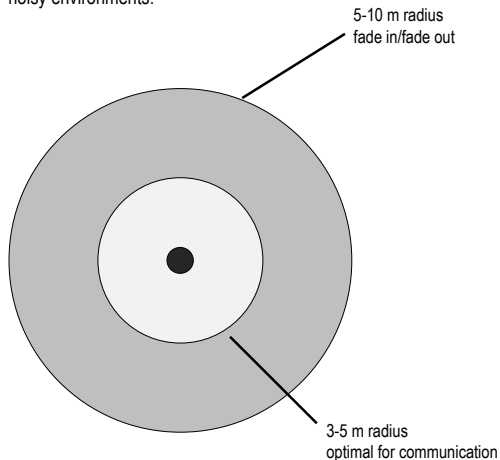
The headset is automatically powered off after two hours of inactivity. This is indicated by a voice message during the last minute before the headset switches off. Press the [+] or [-] button to reset the two hour timeout period.

Adjusting Volume (Fig 3)

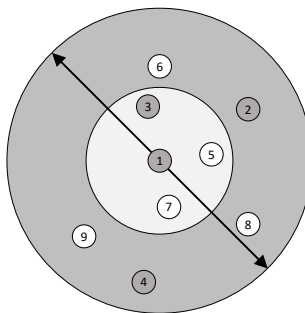
Press [+] or [-] to adjust the volume of the ambient/environmental listening. There are four level settings as well as the ability to turn the ambient/environmental listening off. The max settings are confirmed by a beep. Ambient/Environmental listening off mode is confirmed by a voice message.

Face-to-face communication via NIB technology

NIB enables face-to-face communication within close range in noisy environments.



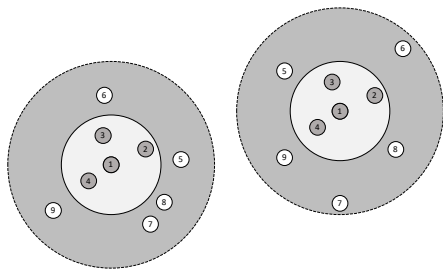
The NIB technology enables wireless communication within a 10 m radius. Full duplex communication for up to four people within this perimeter.



In noisy environments, simply walk close to the person you wish to talk to. The NIB technology will softly fade in and out (5-10 m radius) and allow communication with people who are close. Stay within 3-5 m radius for optimal communication signal.

When the four, full duplex transmitting channels are busy (1-4), other users can still listen but are not able to transmit (5-9). The upper limit of listeners are limited to the number of people fitted into the radius of 10 m rather than what the technology permits.

NOTE: When more than four users attempt to transmit via NIB, the 5th user and beyond attempting to transmit will hear beeps, indicating that the outgoing communication did not transmit.



Which NIB group you belong to depends on where you and the other NIB headsets are located.

NIB operates when the environmental noise level exceeds approx. 80 dB and when the noise is continuous for approx. 1 second.

NIB also operates in less than 80 dB if the user presses the PTT in either PTT mode or VOX mode.

Activating NIB (Fig 7)

Quickly double pressing the PTT will toggle between NIB PTT ON/NIB OFF/NIB VOX ON.

Pressing and holding the NIB PTT button allows for communications within the 10 m radius when in NIB VOX ON mode and NIB PTT ON mode.

NIB VOX ON - In this mode, high levels of noise will activate the NIB radio and allow VOX communications for up to four users. Pressing the PTT button in VOX ON mode also allows for communication in quiet.

When the headset operates in an environment with intermittent noise, noise can activate NIB VOX repeatedly. In this situation, you can use NIB PTT ON.

NIB PTT ON - In this mode, the PTT button must be pressed to transmit.

NIB OFF - this mode TURNS OFF the NIB radio. In NIB OFF, no RF signal is being emitted from the NIB radio.

Push-to-talk for NIB (Fig 8)

Press and hold the PTT on the left cup to transmit on the NIB.

Entering the menu (Fig 4)

1. Press and hold the [+] and [-] button to enter the menu. A voice will confirm.
2. Press the [-] button briefly to toggle through the menu. The menu steps are listed below.
3. Use the [+] button to change the setting and, if available, toggle through the available settings. A voice message confirms each step, followed by the current setting. Changes are also confirmed by a voice message. After a few seconds of no activity, the menu returns to volume mode. By pressing [+] and [-], the volume setting can be instantly reached at any stage of the menu.

Ambient/Environmental listening mode

The ambient/environmental listening mode is available in classic mode and advanced mode. Classic mode allows you to adjust the volume in four steps by increasing or decreasing the sound level of the ambient/environmental listening. Advanced mode includes four preset settings optimized for different sound profiles.

Setting	Intended use
Advanced mode 1 (Comfort)	For comfort in a very noisy environment.
Advanced mode 2 (Conversation)	For a natural audio experience where protection against sudden noises is necessary.
Advanced mode 3 (Patrolling)	For high situational awareness when walking in a low noise environment.
Advanced mode 4 (Overwatch)	For powerful situational awareness in a quiet environment.

Battery

Choose the type of battery you are using in your headset, alkaline or rechargeable.

Wireless input

1. Follow the user instruction for the 3M™ PELTOR™ TEPLOOP-* to set up the neckloop.
2. Enter the headset menu to adjust the wireless input and the sensitivity to correspond to the connected neckloop. Choose Off/Low/Medium/High.
3. Adjust the volume on the external radio if needed.

NOTE: The volume may differ depending on the distance between the headset and the neckloop

Wired Input

Adjust the wired input and sensitivity to correspond to the wired device. Choose Low/High.

Balance

The balance setting adjusts the volume balance between the right and the left ear. There are seven level settings: Center, Left 1, Left 2, Max left, Max right, Right 2, Right 1.

Warning signals

The warning signal setting disables/enables the warning signals "low battery" and "automatic power off". When switched off, none of these warning signals will be heard.

Automatic power off

The automatic power off setting disables/enables the automatic power off function.

NIB frequency

For North America, Australia and New Zealand, the frequency for NIB is 915 MHz.

For Europe the frequency for NIB is 864 MHz.

Choose the NIB frequency, 864 MHz (EU) or 915 MHz (NA,

ANZ). Press [+] to select and press and hold [+] to confirm your selection.

NOTE: Make sure that you are using the approved frequency for the region you are operating in.

Factory reset

Resets all menu settings to the factory default values. This setting needs to be confirmed by pressing [+] when the voice says "confirm factory reset".

TROUBLESHOOTING FOR NIB

Problem	Possible Causes	Suggestion
The headset beeps when transmitting.	NIB channel busy by four people.	Wait for an available spot.
The headset beeps when transmitting.	No other headset in the perimeter.	Make sure there is another headset in use in the perimeter.
Can't hear or communicate with others.	You are not using the correct NIB frequency for the region you are operating in.	Choose the correct NIB frequency in the menu. See NIB frequency.
Can't hear or communicate with others.	The NIB is not activated.	Toggle between the different modes with the PTT button. See Activating NIB.

CLEANING AND MAINTENANCE

Use a cloth wetted with soap and warm water to clean the outer shells, headband and ear cushions.

NOTE: Do NOT immerse the hearing protector in water. If the hearing protector gets wet from rain or sweat, turn the earmuffs outwards, remove the ear cushions and foam liners, and allow to dry before reassembly. The ear cushions and foam liners may deteriorate with use and should be examined at regular intervals for cracking or other damage. When used regularly, 3M recommends replacing the foam liners and ear cushions at least twice a year to maintain consistent attenuation, hygiene, and comfort. If an ear cushion is damaged, it should be replaced. See Spare Parts Section below.

REMOVING AND REPLACING THE EAR CUSHIONS

F:1 To remove the ear cushion, slide your fingers under the inside edge of the ear cushion and firmly pull straight out.
 F:2 Remove existing liner(s) and insert new foam liner(s).
 F:3 Fit one side of the ear cushion into the groove of the earcup and then press on the opposite side until ear cushion snaps in place.

APPLYING MIKE PROTECTOR TAPE

To protect the boom speech microphone from humidity and dirt, use microphone protector HYM1000.

Attaching the protector (Fig G):

- G:1 Use a pair of scissors to cut 100 mm of mike protector tape. Remove the protective paper.
- G:2 Place the microphone in the end of the tape as shown in the picture.
- G:3 Fold the protector tape and make sure that the microphone is covered.
- G:4 Press tightly to seal the protector tape.
- G:5 The microphone is now ready to use.

SPARE PARTS AND ACCESSORIES

3M™ PELTOR™ HY68 SV Hygiene kit
 Replaceable hygiene kit. Replace at least twice a year to ensure constant attenuation, hygiene and comfort.

3M™ PELTOR™ HY80-EU Gel cushion hygiene kit

3M™ PELTOR™ HY100A Single-use protectors
 Single-use protector that is easy to fit to the ear cushions.

3M™ PELTOR™ MT73 Water-proof microphone
 Waterproof dynamic speech microphone.

3M™ PELTOR™ M171/2 Windshield for microphone

3M™ PELTOR™ HYM1000 Microphone protector
 Moisture- and wind-resistant tape that protects the speech microphone.

3M™ PELTOR™ M60/2 Wind protection for the surrounding microphones

3M™ PELTOR™ HY450/1 Head pad
 To be used for small size range fitting for foldable headbands.

3M™ PELTOR™ LR03NM Battery AAA NiMH

WARRANTY AND LIMITATION OF LIABILITY

WARRANTY: In the event any 3M Personal Safety Division product is found to be defective in material, workmanship, or not in conformity with any express warranty for a specific purpose, 3M's only obligation and your exclusive remedy shall be at 3M's option, to repair, replace or refund the purchase price of such parts or products upon timely notification of the issue by you and substantiation that the product has been stored, maintained and used in accordance with 3M's written instructions.
EXCEPT WHERE PROHIBITED BY LAW, THIS WARRANTY IS EXCLUSIVE AND IS IN LIEU OF ANY EXPRESS OR IMPLIED WARRANTY OF MERCHANTABILITY, FITNESS FOR A PARTICULAR PURPOSE OR OTHER WARRANTY OF QUALITY, OR THOSE ARISING FROM A COURSE OF DEALING, CUSTOM OR USAGE OF TRADE, EXCEPT OF TITLE AND AGAINST PATENT INFRINGEMENT. 3M has no obligation under this warranty with respect to any product that has failed due to inadequate or improper storage, handling, or maintenance; failure to follow product instructions; or alteration or damage to the product caused by accident, neglect, or misuse.

LIMITATION OF LIABILITY: EXCEPT WHERE PROHIBITED BY LAW, IN NO EVENT SHALL 3M BE LIABLE FOR ANY DIRECT, INDIRECT, SPECIAL, INCIDENTAL OR CONSEQUENTIAL LOSS OR DAMAGES (INCLUDING LOST PROFITS) ARISING FROM THIS PRODUCT, REGARDLESS OF THE LEGAL THEORY ASSERTED. THE REMEDIES SET FORTH HEREIN ARE EXCLUSIVE.

NO MODIFICATION: Modifications to this device shall not be made without the written consent of 3M Company. Unauthorized modifications may void the warranty and the user's authority to operate the device.

NOTE:

- Do not mix old and new batteries.
- Do not mix alkaline, standard, or rechargeable batteries.
- To properly dispose of the battery, follow local solid waste disposal regulations.
- Only use AAA non-rechargeable or NiMH rechargeable (as applicable) batteries.

3M™ PELTOR™ ComTac™ VI NIB Headset MT20H682**.*N**

ВЪВЕДЕНИЕ

Поздравяваме Ви и Ви благодарим, че избрахте решенията за комуникация на 3M™ PELTOR™! Добре дошли в следващото поколение защитна комуникация.

ПРЕДНАЗНАЧЕНИЕ

Слушалките 3M™ PELTOR™ са предназначени да осигурят защита срещу опасните нива на шум и силните звуци, като същевременно позволяват на потребителя да чува околната среда чрез микрофоните за околни шумове, да чува свръзните комуникационни устройства и да комуникира „лице в лице“ с интегрираната технология „Естествено поведение при взаимодействие“ (Natural Interaction Behavior, NIB) при високи нива на постоянен шум. Очаква се всички потребители да прочетат и разберат предоставените инструкции за потребителя, както и да се запознаят с употребата на това устройство.

ВАЖНО

Моля, прочетете, разберете и спазвайте цялата информация за безопасност в тези инструкции преди употреба. Запазете тези указания за бъдеща справка. За допълнителна информация или въпроси се свържете с техническото обслужване на 3M (информацията за връзка е посочена на последната страница).



ПРЕДУПРЕЖДЕНИЕ

Този слухов протектор помага за намаляване на излагането на опасен шум и други силни звуци. Неправилната употреба или непоставянето на средствата за слухова защита по всяко време, когато сте изложени на опасен шум, може да доведе до загуба на слуха или увреждане. За правилна употреба се посветвайте с ръководителя и инструкциите за употреба или се свържете с техническото обслужване на 3M. Ако слухът Ви е притъпен, чувате звънене или бръмчене по време на или след излагане на шум (включително при стрелба с огнестрелно оръжие) или поради друга причина подозирате проблем със слуха, напуснете незабавно шумната среда и се консултирайте с медицинско лице и/или с ръководителя си.

Неспазването на тези инструкции може да доведе до сериозно нараняване или смърт:

- Слушането на музика или друга аудиокомуникация може да намали Вашата ситуационна ориентация и способността Ви да чувате предупредителни сигнали. Бъдете нащрек и регулирайте силата на звука до най-ниското допустимо ниво. Възможността за чуване на предупредителни сигнали на определено работно място може да се наруши при използване на функцията за развличане.
- За да се намалят рисковете, свързани с причиняване на експлозия, не използвайте този продукт в потенциално взривоопасна атмосфера.

Неспазването на тези инструкции може да намали защитата, предоставена от шумозаглушителя, и може да доведе до загуба на слуха:

- Изследванията показват, че потребителите може да получат по-малко намаляване на шума от посочената(ите) върху опаковката стойност(и) на заглушаване поради различията при поставяне, уменията за поставяне и мотивацията на потребителя. Направете справка с приложимите регламенти за напълствия относно интерпретирането на стойностите на етикета и пресмятането на заглушаването. Освен това 3M силно препоръчва тестване чрез поставяне на слуховите протектори.
- Уверете се, че слуховият протектор е правилно избран, поставен, регулиран и поддържан. Неправилното поставяне на това устройство ще намали ефективността му при заглушаване на шума. Консултирайте се с приложените инструкции за правилно поставяне.
- Преглеждайте слуховия протектор преди всяка употреба. Ако е повреден, изберете здрав слухов протектор или избягвайте шумна среда.
- Когато са необходими допълнителни лични предпазни средства (напр. защитни очила, респиратори и др.), изберете гъвкави, нископрофилни рамки или ленти за намаляване на намесата в уплътняването на възглавничката на заглушителя. Отстранете всички други ненужни неща (напр. коса, шапки, бижута, слушалки, хигиенни капаци и др.), които биха могли да нарушат уплътнението на възглавничката и шумозаглушителя и да понижат защитата на шумозаглушителя.
- Не огъвайте и не променяйте формата на лентата за глава или врат и се уверете, че има достатъчна сила за стабилно задържане на шумозаглушителите на място.
- Заглушителите и особено възглавничките може да влошат качеството си при употреба и трябва да се проверяват често, например за напуквания и пропускане. При редовна употреба сменяйте възглавничките и уплътнителите от пяна поне два пъти годишно, за да се поддържа постоянна защита, хигиена и комфорт.
- Исходният сигнал от електрическата аудиоверига на този слухов протектор може да надвиши дневния лимит за ниво на звука. Регулирайте силата на звука до най-ниското допустимо ниво.
- Ако посочените по-горе изисквания не бъдат спазени, защитата, осигурявана от заглушителите, ще бъде сериозно намалена.

Декларации за безопасност EN 352:

- Исходният сигнал от зависещата от нивото верига на този слухов протектор може да надвиши нивото на външния звук.
- Поставянето на хигиенни капаци на възглавничките може да окаже влияние върху акустичните характеристики на шумозаглушителите.
- Характеристиките може да се влошат с изтощаването на батериите. При непрекъсната употреба обичайната продължителност на работа, която може да се очаква от батериата на шумозаглушителя, е приблизително:
 - LDF и NIB: 30 часа
 - LDF: 50 часа
- Този продукт може да се повлияе негативно от определени химични вещества. Допълнителна информация трябва да бъде потърсена от производителя.
- Тези шумозаглушители са с диапазон с малък размер.

Шумозаглушителите, отговарящи на EN 352-1, са „среден размер“, „малък размер“ или „голям размер“. „Средният размер“ шумозаглушители ще е подходящ за повечето потребители. „Малкият размер“ и „големият размер“ шумозаглушители са проектирани така, че да стават на потребители, за които „средният размер“ шумозаглушители не е подходящ.

- Продуктът не е подходящ за продължителни високи нива на шума при ниски честоти.

ВНИМАНИЕ:

- Опасност от експлозия, ако батерията бъде заменена с грешен тип.
- Винаги използвайте резервни части 3M за конкретен продукт. Употребата на неодобри резервни части може да понижи защитата, която получавате от този продукт.

ЗАБЕЛЕЖКА

- Когато се носи в съответствие с тези инструкции за потребителя, този слухов протектор спомога за намаляване на излагането както на непрекъснати шумове, като например индустриални шумове и шумове от превозни средства и самолети, така и на много силни импулсни шумове, като например стрелба с огнестрелно оръжие. Трудно е да се предвиди необходимата и/или действителната защита на слуха, получена по време на излагането на импулсни шумове. В случай на стрелба видът на оръжието, броят изстреляни патрони, правилният избор, поставянето и използването на защитата на слуха, правилната грижа за защитата на слуха и други променливи ще влияят върху характеристиките на защитата. За да научите повече относно защитата на слуха от импулсен шум, посетете www.3M.com/hearing.
- Този заглушител се предоставя със заглушаване, зависещо от нивото. Потребителят трябва да проверява правилното функциониране преди употреба. В случай на повреда или неизправна работа потребителят трябва да направи справка със съвета на производителя относно поддръжката и смяната на батерията.
- Този шумозаглушител се предлага с електрически аудиовход. Потребителят трябва да проверява правилното функциониране преди употреба. В случай на повреда или неизправна работа потребителят трябва да направи справка със съвета на производителя.
- Диапазон на работната температура: -20°C (-4°F) до 55°C (131°F)
- Диапазон на температурата за съхранение: -20°C (-4°F) до 55°C (131°F)
- Тегло на слуховия протектор: MT20H682FB-**N** = 340 g, MT20H682BB-**N** = 313 g, MT20H682FB-**N** (HY80) = 379 g.
- Срок на годност: 5 години с изключение на батериите.

ОДОБРЕНИЯ

С настоящото 3M Svenska AB декларира, че радиокомуникацията отговаря на Директивата 2014/53/EC и на други съответстващи директиви за изпълнение на изискванията за маркировката CE. 3M Svenska AB декларира също, че слушалките от типа ЛПС отговарят на Регламент (ЕС) 2016/425 или Директивата на общността 89/686/ЕИО.

Приложимото законодателство може да се определи, като прегледате Декларацията за съответствие (DoC) на www.3M.com/peltor/doc. DoC ще се покаже също, ако някои други типови одобрения са приложими. Когато извлечете Вашата DoC, моля, намерете своя каталожен номер. Каталогният номер на Вашите заглушители можете да намерите от долната част на една от чашките. Пример може да се види на картинката по-долу.



ЛПС се одитират ежегодно (ако са продукти от Категория III) и се одобряват типове от Финландския институт за безопасност на работното място (Finnish Institute of Occupational Health), нотифициран орган №: 0403, Topeliuksenkatu 41 b, FI-00250 Helsinki, Финландия. Продуктът е тестван и одобрен в съответствие с EN 352-1:2002, EN 352-4:2001/1A1:2005, EN 352-6:2002.

Копие от DoC, както и допълнителна информация, изисквана в Директивите, можете да получите и като се свържете с 3M в държавата на покупка. За информацията за връзка вижте последните страници на тази инструкция за потребителя.



Този продукт съдържа електрически и електронни компоненти и не трябва да се изхвърля като битов отпадък. Моля, консултирайте се с местните разпоредби за изхвърляне на електрическо и електронно оборудване.

ЗАГЛУШАВАНЕ В ЛАБОРАТОРИЯ

Коефициентът на намаляване на шума (SNR) е получен при изключено захранване на устройството. Обяснение на таблиците за заглушаване:

Европейски стандарт EN 352

Изследвания показват, че потребителите може да получат по-малко намаляване на шума от посочената(ите) върху опаковката стойност(и) на заглушаване поради различията при поставяне, уменията за поставяне и мотивацията на потребителя. Направете справка с приложимите регламенти за напътствия относно интерпретирането на стойностите на етикета и пресмятането на заглушаването. Освен това 3M силно препоръчва тестване чрез поставяне на слуховите протектори.

- A:1 Честота (Hz)
- A:2 Средно заглушаване (dB)
- A:3 Стандартно отклонение (dB)
- A:4 Предполагаема стойност на защита, APV (dB)
- A:5

H = Прогнозирана слухова защита при високочестотни звуци ($f \geq 2000$ Hz).

M = Прогнозирана слухова защита при средночестотни звуци ($500 \text{ Hz} < f < 2000$ Hz).

L = Прогнозирана слухова защита при нискочестотни звуци ($f \leq 500$ Hz).

A:6 Базово ниво

H = Базово ниво за високочестотен шум

M = Базово ниво за средночестотен шум

L = Базово ниво за нискокочестотен шум

A:7 Европейски стандарт EN 352-6 Нива на навлизане на външни звуци

A:8 Ниво на входящия сигнал U (mV, RMS)

A:9 Средно ниво на звуковото налягане (dB(A))

A:10 Стандартно отклонение на звуковото налягане (dB)

A:11 Ниво на входящ сигнал, за което средната стойност плюс

едно стандартно отклонение се равнява на 82 dB(A)

B) Стандарт за Австралия/Нова Зеландия AS/NZS 1270:2002

V:1 Честоти за теста

V:2 Средно заглушаване, ср. загл.

V:3 Стандартно отклонение, ст. откл.

V:4 Средно минус стандартно отклонение

КОМПОНЕНТИ

C:1 Сгъваема лента за глава

C:2 Рамо, поддържащо чашката

C:3 Двучочкови закопчалки

C:4 Чашка

C:5 Капак за батерии

C:6 Микрофон за функцията за слушане на околни звуци

C:7 Заглушителна подложка

C:8 Възглавничка

C:9 Кабел за външен вход (само за определени модели)

C:10 Микрофон за провеждане на разговор (само за определени модели)

C:11 Пристягаща лента за врат

C:12 Вход за микрофона за провеждане на разговори (J22) (само определени модели)

C:13 [-] бутон на клавиатурата

C:14 [+] бутон на клавиатурата

C:15 NIB РТТ

ИНСТРУКЦИИ ЗА ПОСТАВЯНЕ

Лента за глава

D:1 Плъзнете навън чашките и наклонете горната част на корпуса навън, като кабелът трябва да е от външната страна на лентата за глава.

D:2 Настройте височината на чашките, като ги плъзнете нагоре или надолу и същевременно придържате лентата за глава на мястото.

D:3 Лентата за глава трябва да минава над главата, както е показано, и да поддържа теглото на слушалките.

Пристягаща лента за врата

D:4 Поставете чашките на мястото им върху ушите.

D:5 Задръжте чашките в тази позиция и поставете лентата за глава на горната част на главата си, след което я закрепете здраво на място.

D:6 Лентата за глава трябва да бъде поставена в горната част на главата Ви.

E:1 – E:2 Позициониране на микрофона за провеждане на разговор

За подобряване на работата на микрофона в шумна среда разположете микрофона много близо до устата си (на

по-малко от 3 mm или 1/8 инча).

ЗАБЕЛЕЖКА: При употреба при голяма надморска височина или в авиацията околното налягане може бързо да се понижи и да повлияе на чувствителността на микрофона, като например по време на издигане на хеликоптер. Ако възникне подобна ситуация, позиционирайте микрофона по-близо и/или говорете по-силно, за да повишите налягането около мембраната на микрофона.

ИНСТРУКЦИИ ЗА ЕКСПЛОАТАЦИЯ

Смяна на батериите (фиг. 1)

1 – 2. Отстранете капачице на отделението за батерии и поставете батериите (2 бр. AAA).

3. Полярността на батерията трябва да съответства на маркировката в отделението за батерията.

4. Капачице трябва да са натиснати докрай надолу, за да се осигури добра изолация. Ниското ниво на батерията се посочва с фоново гласово съобщение „low battery“ (изтощена батерия) неколккратно.

Включване и изключване на слушалките (фиг. 2)

За да включите или да изключите слушалките, натиснете и задръжте бутона [+] или [-] в продължение приблизително на 2 секунди. Гласова инструкция ще потвърди. Текущите настройки винаги се запазват при изключване на слушалките

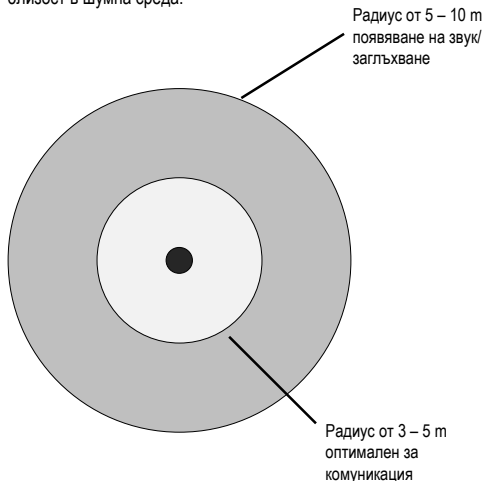
Слушалките автоматично се изключват след два часа липса на активност. Това се указва чрез гласово съобщение през последната минута, преди слушалките да се изключат. Натиснете бутона [+] или [-], за да нулирате двучасовия период на пауза.

Регулиране на силата на звука (фиг. 3)

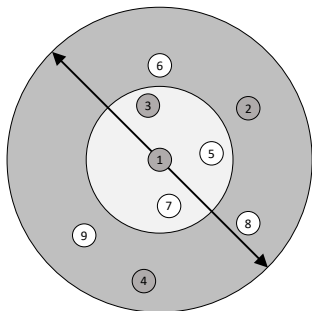
Натиснете [+] или [-], за да регулирате силата на звука на чуване на околните шумове. Има настройки за четири нива, както и възможност за изключване на чуването на шумовете на околната среда. Максималните настройки се потвърждават от звуков сигнал. Режимът на изключено чуване на шумовете на околната среда се потвърждава от гласово съобщение.

Комуникация „лице в лице“ чрез технологията NIB

NIB дава възможност за комуникация „лице в лице“ при голяма близост в шумна среда.



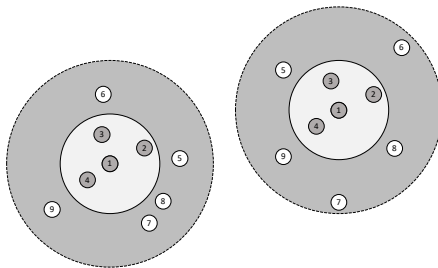
Технологията NIB осигурява възможност за безжична комуникация в рамките на радиус от 10 m. Пълна дуплекс комуникация за до четири души в рамките на този периметър.



В шумна среда разговаряйте с човека, с когото желаете, като се приближите до него. Технологията NIB позволява постепенно увеличаване или заглъхване на звука (радиус от 5 – 10 m) и комуникация с хора, които са наблизо. За оптимален комуникационен сигнал стойте в радиус от 3 – 5 m.

Когато четирите канала за предаване на пълен дуплекс са заети (1 – 4), останалите потребители могат да чуват и да слушат, но не могат да предават (5 – 9). Горната граница на слушателите е ограничена до броя на хората, които се намират в радиус от 10 m, а не от това какво позволява технологията.

ЗАБЕЛЕЖКА: Когато повече от четирима потребители се опитват да предават чрез NIB, 5-ят и следващите потребители, които се опитват да предават, ще чуят звуков сигнал, който показва, че изходящата комуникация не е предадена.



В коя NIB група попадате зависи от това къде се намирате Вие и останалите потребители с NIB слушалки.

NIB функционира, когато шума на околната среда е над пригл. 80 dB и когато продължителността на шума е пригл. 1 секунда.

Също така NIB функционира и при шум, по-малък от 80 dB, когато потребителят натисне PTT в PTT режим или VOX режим.

Активиране на NIB (фиг. 7)

Бързо двойно натискане на PTT превключва между NIB PTT ON/NIB OFF/NIB VOX ON.

Като натиснете и задържите бутона NIB PTT, ще имате възможност за комуникация в рамките на радиус от 10 m, в режим NIB VOX ON или в режим NIB PTT ON.

NIB VOX ON – В този режим високите нива на шум ще активират NIB радиостанцията и ще разрешат VOX комуникация за до четирима потребители. Натискането на бутона PTT в режим VOX ON, също така позволява комуникация при тиха околна среда.

Когато слушалките работят в среда с прекъсващ шум, шумът може да активира NIB VOX ON неколкократно. В този случай можете да използвате NIB PTT ON.

NIB PTT ON – В този режим за предаване трябва да се натисне бутона PTT.

NIB OFF – този режим ИЗКЛЮЧВА NIB радиостанцията. В режим NIB OFF от NIB радиостанцията не се излъчва никакъв PЧ сигнал.

Push-to-talk (Натисни за разговор) за NIB (фиг. 8)

Натиснете и задържете бутона PTT на лявата чашка, за да предадете на NIB.

Влизане в менюто (фиг. 4)

1. Натиснете и задържете бутона [+] и [-], за да влезете в менюто. Гласово съобщение ще потвърди.
2. Натиснете бутона [-] за кратко, за да превключвате в менюто. Стъпките на менюто са изброени по-долу.
3. Използвайте бутона [+] за промяна на настройката и ако има такава, преминете през наличните настройки. Гласово съобщение потвърждава всяка стъпка, последвано от

текущата настройка. Промените се потвърждават и от гласово съобщение. След няколко секунди без никаква дейност менюто се връща към режим за регулиране на силата на звука. Чрез натискане на [+] и [-] настройката за силата на звука може да бъде достигната незабавно на всеки етап от менюто.

ЗАБЕЛЕЖКА: Силата на звука може да е различна в зависимост от разстоянието между слушалките и безжичния предавател за носене на врата.

Ambient/Environmental listening mode (Режим на чуване на шумове от околната среда)

Режимът на чуване на шумове от околната среда е наличен в класически режим и в разширен режим. В класически режим имате възможност да регулирате силата на звука в четири стъпки, като увеличавате или намалявате нивото на звука на шума от околната среда. В разширен режим има четири предварително зададени настройки, оптимизирани за различни звукови профили.

Настройка	Планирана употреба
Разширен режим 1 (Комфорт)	За удобство в много шумна среда.
Разширен режим 2 (Разговор)	За естествен разговор, когато е необходима защита от внезапни шумове.
Разширен режим 3 (Обиколка)	За висока информираност за обстановката, когато ходите в тиха среда.
Разширен режим 4 (Надзор)	За много висока информираност за обстановката в тиха среда.

Battery (Батерия)

Изберете типа батерия, която използвате в слушалките – алкална или акумулаторна.

Wireless input (Безжичен вход)

- Следвайте инструкциите за употреба на 3M™ PELTOR™ TER-LOOP*, за да настроите безжичния предавател за носене на врата.
- Влезте в менюто на слушалките, за да настроите безжичния вход и чувствителността така, че да отговарят на свързания безжичен предавател за носене на врата. Изберете Изкл./Ниско/Средно/Високо (Off/Low/Medium/High).
- Настройте силата на звука на външното радио, ако е необходимо.

ЗАБЕЛЕЖКА: Силата на звука може да е различна в зависимост от разстоянието между слушалките и безжичния предавател за носене на врата.

Wired input (Вход с кабел)

Настройте входа с кабел и чувствителността да отговарят на свързаното с кабел MI устройство. Изберете Ниско/Високо (Low/High).

Balance (Баланс)

Настройката на баланса регулира баланса на силата на звука между дясното и лявото ухо. Има седем нива на настройки: Център, Ляво 1, Ляво 2, Макс. ляво, Макс. дясно, Дясно 2, Дясно 1 (Center, Left 1, Left 2, Max left, Max right, Right 2, Right 1).

Warning signals (Предупредителни сигнали)

Настройката за предупредителни сигнали дезактивира/активира предупредителните сигнали „low battery“ (изтощена батерия) и „automatic power off“ (автоматично изключване). При изключена функция нито един от тези предупредителни сигнали няма да се чува.

Automatic power off (Автоматично изключване)

Настройката за автоматично изключване дезактивира/активира функцията за автоматично изключване.

NIB frequency (NIB честота)

За Северна Америка, Австралия и Нова Зеландия честотата за NIB е 915 MHz.

За Европа честотата за NIB е 864 MHz.

Изберете NIB честота 864 MHz (EC) или 915 MHz (CA, ANZ). Натиснете [+] за избиране; натиснете и задръжте [+] за потвърждение на избора.

ЗАБЕЛЕЖКА: Уверете се, че използвате одобрената честота за региона, в който работите.

Factory reset (Възстановяване на фабричните стойности)

Връща всички настройки на менютата към фабричните стойности по подразбиране. Тази настройка трябва да бъде потвърдена с натискане на [+], когато чуете гласовото съобщение „confirm factory reset“ (потвърдете възстановяването на фабричните настройки).

ОТСТРАНЯВАНЕ НА НЕИЗПРАВНОСТИ, СВЪРЗАНИ С NIB

Проблем	Възможни причини	Решение
По време на предаване слушалките издават звуков сигнал.	NIB каналът е зает от четирима потребители.	Изчакайте за налична точка.
По време на предаване слушалките издават звуков сигнал.	Няма други слушалки в периметъра.	Уверете се, че в периметъра има други слушалки.
Не чувате или няма комуникация с другите.	Не използвате правилната NIB честота за региона, в който работите.	Изберете правилната NIB честота от менюто. Вижте „NIB честота“.
Не чувате или няма комуникация с другите.	NIB не е активна.	Превключете между отделните режими с бутон РТТ. Вижте „Активиране на NIB“.

ПОЧИСТВАНЕ И ПОДДРЪЖКА

Използвайте кърпа, навлажнена със сапун и топла вода, за почистване на външните корпуси, лентата за глава и възглавничките.

ЗАБЕЛЕЖКА: НЕ потапяйте слуховия протектор във вода. Ако слуховия протектор се намокри от дъжд или изпотяване, обърнете заглашители навън, извадете възглавничките и

уплътнителите от пяна и ги оставете да изсъхнат, преди да сглобите отново. Възглавничките и уплътнителите от пяна може да влошат качеството си при употреба и трябва да се проверяват редовно за напуквания или други повреди. При редовна употреба 3M препоръчва смяна на възглавничките и уплътнителите от пяна поне два пъти годишно, за да се поддържа постоянно заглушаване, хигиена и комфорт. Ако има повредена възглавничка, тя трябва да се замени. Вижте раздела за резервни части по-долу.

СВАЛЯНЕ И СМЯНА НА ВЪЗГЛАВНИЧКИТЕ

F:1 За да махнете възглавничката, плъзнете пръстите си под ръба на възглавничката и го издърпайте здраво навън.

F:2 Извадете съществуващия(ите) уплътнител(и) и поставете нов(и) уплътнител(и) от пяна.

F:3 Поставете едната страна на възглавничката в канала на чашката и натиснете другата страна, докато възглавничката щракне на място.

ПОСТАВЯНЕ НА ПРОТЕКТОР ЗА МИКРОФОН

За да предпазите микрофона за провеждане на разговор от влага и замърсяване, използвайте протектора HУM1000.

Закрепване на протектора (фиг. G):

G:1 С помощта на ножица отрежете 100 mm от лентата на протектора за микрофон. Отстранете защитната хартия.

G:2 Поставете микрофона в края на лентата, както е показано на фигурата.

G:3 Прегънете протекторната лента и се уверете, че покрива микрофона.

G:4 Притиснете плътно, докато протекторната лента се залепи.

G:5 Сега микрофонът е готов за употреба.

РЕЗЕРВНИ ЧАСТИ И ПРИНАДЛЕЖНОСТИ

3M™ PELTOR™ HУ68 SV Хигиенен комплект
Сменяем хигиенен комплект. Сменяйте го поне два пъти годишно, за да осигурите постоянно заглушаване, хигиена и комфорт.

3M™ PELTOR™ HУ80-EU Хигиенен комплект за гел възглавничка

3M™ PELTOR™ HУ100A Протектори за еднократна употреба
Протектор за еднократна употреба, който лесно се прикрепя към наушниците.

3M™ PELTOR™ МТ73 Водостойчив микрофон
Водостойчив динамичен микрофон за провеждане на разговор.

3M™ PELTOR™ M171/2 Ветрозащитен екран за микрофон

3M™ PELTOR™ HУM1000 Протектор за микрофон

Устойчива на влага и вятър лента, която предпазва микрофона за провеждане на разговор.

3M™ PELTOR™ M60/2 Ветрозащита за микрофони за околните шумове

3M™ PELTOR™ HУ450/1 Подложка за глава

За използване при поставяне на малък размер сгъваема лента за глава.

3M™ PELTOR™ LR03NM Батерия AAA NiMH

ГАРАНЦИЯ И ОГРАНИЧЕНИЕ НА ОТГОВОРНОСТТА

ГАРАНЦИЯ: В случай че някой продукт на отдела за лична безопасност на 3M се окаже дефектен като материали, изработка или в несъответствие с каквато и да било изрична гаранция за определена цел, единственото задължение на 3M и Ваше изключително правно средство за защита ще бъде изборът на 3M да ремонтира, замени или възстанови средствата за покупната цена на тези части или продукти при навременното уведомяване относно проблема от Ваша страна и доказването, че продуктът е съхраняван, поддържан и използван в съответствие с писмените инструкции на 3M. **ОСВЕН КОГАТО Е ЗАБРАНЕНО ОТ ЗАКОНА, ТАЗИ ГАРАНЦИЯ Е ИЗКЛЮЧИТЕЛНА И ЗАМЕСТВА ВСИЧКИ ИЗРИЧНИ ИЛИ ПОДРАЗБИРАЩИ СЕ ГАРАНЦИИ ЗА ПРОДАВАЕМОСТ, ПРИГОДНОСТ ЗА ОПРЕДЕЛЕНА ЦЕЛ ИЛИ ДРУГА ГАРАНЦИЯ ЗА КАЧЕСТВО ИЛИ ТЕЗИ, КОИТО ПРОИЗТИЧАТ ОТ НАЧИНА НА ТЪРГУВАНЕ, МАНИЕР ИЛИ ЦЕЛ НА ТЪРГУВАНЕТО, С ИЗКЛЮЧЕНИЕ НА ПРАВОТО НА СОБСТВЕНОСТ И ПРОТИВ НАРУШАВАНЕ НА ПАТЕНТНИТЕ ПРАВА.** 3M няма задължение по силата на тази гаранция по отношение на продукт, който се е повредил поради неадекватно или неправилно съхранение, работа или поддръжка; неспазване на инструкциите на продукта; промяна или повреда на продукта, причинени от злополука, небрежност или неправилно използване.

ОГРАНИЧЕНИЕ НА ОТГОВОРНОСТТА: ОСВЕН КОГАТО Е ЗАБРАНЕНО ОТ ЗАКОНА, В НИТО ЕДИН СЛУЧАЙ 3M НЕ НОСИ ОТГОВОРНОСТ ЗА КАКВИТО И ДА Е ПРЕКИ, КОСВЕНИ, СПЕЦИАЛНИ, СЛУЧАЙНИ ИЛИ ПОСЛЕДВАЩИ ЗАГУБИ ИЛИ ЩЕТИ (ВКЛЮЧИТЕЛНО ПРОПУСНАТИ ПОЛЗИ), ПРОИЗТИЧАЩИ ОТ ТОЗИ ПРОДУКТ, НЕЗАВИСИМО ОТ ТОВА КАКВО ТЪВЪРДИ ПРАВНАТА ТЕОРИЯ. ПРАВНИТЕ СРЕДСТВА ЗА ЗАЩИТА, ИЗЛОЖЕНИ ТУК, СА ИЗКЛЮЧИТЕЛНИ.

ЗАБРАНА ЗА МОДИФИКАЦИЯ: По това устройство не трябва да се правят модификации без писменото съгласие на компанията 3M. Неразрешени модификации може да са причина за анулиране на гаранцията и правото на потребителя да експлоатира устройството.

ЗАБЕЛЕЖКА:

- Не смесвайте стари и нови батерии.
- Не смесвайте алкални, стандартни или акумулаторни батерии.
- За да изхвърлите батериите по подходящ начин, спазвайте местните разпоредби за изхвърляне на твърди отпадъци.
- Използвайте само неакумулаторни AAA или акумулаторни NiMH (според приложението) батерии.

**3M™ PELTOR™ ComTac™ VI NIB Headset
MT20H682***N****

ÚVOD

Děkujeme vám a blahopřejeme k volbě komunikačních řešení 3M™ PELTOR™. Vítejte v nové generaci ochranných komunikačních prostředků.

ZAMÝŠLENÉ POUŽITÍ

Tyto náhlavní soupravy 3M™ PELTOR™ jsou navrženy, aby zajistily ochranu před nebezpečnými úrovněmi hluku a hlasitými zvuky a přitom umožňují slyšet okolí prostřednictvím mikrofonů okolí/prostředí, poslouchat připojená komunikační zařízení a komunikovat tvář v tvář při vysokých úrovních stabilního hluku díky integrované technologii Natural Interaction Behavior (NIB). Předpokládá se, že si všichni uživatelé přečtou příložený návod k použití a seznámí se s používáním tohoto zařízení.

DŮLEŽITÉ

Než začnete výrobek používat, přečtěte si prosím všechny bezpečnostní informace a tyto pokyny. Pokyny si uschovejte pro pozdější použití. Se žádostmi o další informace nebo dotazy se prosím obraťte na technickou podporu společnosti 3M (kontaktní informace naleznete na poslední stránce).



VAROVÁNÍ

Tato ochranná sluchátka pomáhají omezit vystavení uživatele nebezpečnému hluku a dalším hlasitým zvukům. Nesprávné používání nebo nepoužívání ochrany sluchu po celou dobu, kdy jste nebezpečnému hluku vystaveni, může vést ke ztrátě nebo poškození sluchu. Se správným používáním vám pomůže nadřazený pracovník, návod k použití nebo technická podpora společnosti 3M. Máte-li pocit otupení sluchu, slyšíte-li během vystavení hluku (včetně hluku střelby) zvonění nebo bzučení, nebo pokud máte z jakéhokoli jiného důvodu podezření na problém se sluchem, opusťte ihned hlučné prostředí a obraťte se na svého vedoucího nebo vyhledejte lékaře.

Nedodržení následujících pokynů může vést k vážnému nebo smrtelnému zranění:

- a. Poslech hudby nebo jiné zvukové komunikace může omezit povědomí o okolní situaci a schopnost slyšet výstražné signály. Udržujte pozornost a nastavte hlasitost na nejnižší přijatelnou úroveň. Slyšitelnost výstražných signálů na určitém pracovišti může být při použití zábavního zařízení snížena.
- b. Aby se snížila rizika spojená se vznikem výbuchu, nepoužívejte tento výrobek v potenciálně výbušném prostředí.

Nedodržení následujících pokynů může vést ke snížení úrovně ochrany poskytované sluchátko a může způsobit ztrátu sluchu:

- a. Z výzkumu vyplývá, že uživatelé mohou v praxi zabalmenat nižší úroveň redukce hluku, než je uvedeno na obalu, z důvodu rozdílů v těsnosti přilehnutí, zkušenosti s nasazením a motivací uživatelů. Informace ohledně úpravy hodnot uvedených na štítku a odhadu utlumení najdete v příslušných nařízeních. Společnost 3M také důrazně

- doporučuje funkci ochrany sluchu vyzkoušet.
- b. Zajistíte výběr vhodného typu ochrany sluchu, její správné přizpůsobení a udržování. Nesprávný způsob aplikace tohoto zařízení snižuje účinnost tlumení hluku. Správný postup aplikace popisují příložené pokyny.
- c. Před každým použitím ochrany sluchu pečlivě prohlédněte. Pokud zjistíte poškození, použijte jinou, nepoškozenou ochrannou sluchu, nebo se vyhněte hlučnému prostředí.
- d. Pokud je nutné použít další osobní ochranné prostředky, (např. ochranné brýle, respirátory apod.), vyberte brýle s tenkými stranici nebo pásky, aby co nejméně narušovaly těsnici plochu náušníků. Odstraňte všechny předměty, které by mohly narušovat těsnici plochu náušníků a snižovat tak účinnost ochrany sluchu (např. vlasy, čepice, šperky, sluchátka, hygienické návlaky apod.).
- e. Náhlavní ani tylní most neohýbejte ani neměňte jeho tvar a zkontrolujte, zda vyvíjí adekvátní přítlak, aby sluchátka pevně držel na místě.
- f. Chrániče sluchu, a obzvláště náušníky, se mohou v průběhu používání poškodit, a proto by u nich mělo být často kontrolováno, např. zda nejsou prasklé a těsní. Při pravidelném používání je doporučeno měnit pěnové vložky a náušníky minimálně dvakrát ročně, abyste zajistili stálou úroveň ochrany, hygieny a pohodlí.
- g. Výstup elektrického zvukového obvodu těchto chráničů sluchu může překročit denní limit úrovně hluku. Nastavte hlasitost na nejnižší přijatelnou úroveň.
- h. Pokud nebude uživatel dodržovat tato doporučení, může dojít k závažnému zhoršení ochrany, kterou chrániče poskytují.

Bezpečnostní prohlášení EN 352:

- Výstup obvodu poslechu okolních zvuků těchto chráničů sluchu může překročit externí úroveň hluku.
- Nasazení hygienických krytů na náušníky může mít vliv na akustické vlastnosti chráničů sluchu.
- Během používání baterií se může jejich výdrž zhoršovat. Typická délka nepřetržitého používání, které umožní baterie chrániče sluchu, je přibližně:
 - LDF a NIB: 30 hodin
 - LDF: 50 hodin
- Tento výrobek může být nepříznivě ovlivněn některými chemickými látkami. Další informace lze získat od výrobce.
- Tyto chrániče sluchu patří mezi modely s malou velikostí. Chrániče sluchu splňující normu EN 352-1 jsou střední, malé nebo velké velikosti. Středně velké chrániče sluchu vyhovují většině uživatelů. Chrániče sluchu malé a velké velikosti jsou určeny pro uživatele, kterým nevyhovují chrániče sluchu střední velikosti.
- Výrobek není vhodný pro trvale vysoké hladiny hluku nízké frekvence.

UPOZORNĚNÍ:

- Jestliže baterii zaměníte za jiný nesprávný typ, hrozí nebezpečí výbuchu.
- Vždy používejte náhradní díly pro daný výrobek 3M. Použití neautorizovaných náhradních dílů může snížit ochranu poskytovanou tímto výrobkem.

POZNÁMKA

- Pokud jsou sluchátka používána v souladu s tímto návodem k použití, pomáhají omezit vystavení uživatele trvalému hluku, například průmyslovému hluku a hluku vozidel a letadel, a také velmi hlasitým zvukovým impulsům, jakými jsou například výstřely. Požadovanou úroveň ochrany sluchu před hlasitými zvukovými impulsy je obtížné určit. Na výkon ochrany sluchu při střelbě má vliv například typ zbraně, počet výstřelů, správný výběr ochrany a její aplikace a další faktory. Více informací o ochraně sluchu před zvukovými impulsy naleznete na adrese www.3M.com/hearing.
- Tyto chrániče sluchu jsou vybaveny tlumením na základě úrovně hluku. Uživatel je povinen zkontrolovat před použitím jejich správnou funkčnost. Při zjištění rušení nebo nefunkčnosti se uživatel musí řídit pokyny výrobce pro údržbu a výměnu baterie.
- Tento chránič sluchu má elektrický vstup zvuku. Uživatel je povinen zkontrolovat před použitím jejich správnou funkčnost. Při zjištění deformace nebo závady se osoba používající sluchátka musí řídit radami výrobce pro údržbu a výměnu baterií.
- Provozní teplota: -20 °C (-4 °F) až 55 °C (131 °F)
- Skladovací teplota: -20 °C (-4 °F) až 55 °C (131 °F)
- Hmotnost chrániče sluchu: MT20H682FB-**N** = 340 g, MT20H682BB-**N** = 313 g, MT20H682FB-**N***(HY80) = 379 g.
- Doba skladování: 5 let s výjimkou baterií.

SCHVÁLENÍ

Společnost 3M Svenska AB tímto prohlašuje, že přijímač rádiového vysílání je v souladu se směrnicí 2014/53/EU a dalšími příslušnými směrnicemi pro udělení označení CE. Společnost 3M Svenska AB také prohlašuje, že ochranná náhlavní souprava je v souladu s nařízením (EU) 2016/425 nebo se směrnicí 89/686/EHS.

Příslušnou legislativu lze určit na základě prohlášení o shodě na adrese www.3M.com/peltor/doc. Prohlášení o shodě rovněž uvádí, zda produkt podléhá i jiným typovým schválením. Při získávání prohlášení o shodě zjistíte své číslo dílu. Číslo dílu sluchátek najdete v dolní části na jednom ze sluchátek. Příklad najdete na obrázku níže.



Tato PPE podléhá každoročnímu auditu (v případě produktů kategorie III) a typovému schválení úřadem Finnish Institute of Occupational Health, oznámený subjekt č. 0403, Topeliuksenkatu 41 b, FI-00250 Helsinki, Finsko. Produkt byl testován a schválen v souladu s normami EN 352-1:2002, EN 352-4:2001/A1:2005, EN 352-6:2002.

Kopii prohlášení o shodě a další informace vyžadované směrnicemi můžete získat také tak, že kontaktujete společnost 3M v zemi nákupu. Kontaktní informace naleznete na poslední stránce těchto pokynů k používání.



Tento výrobek obsahuje elektrické a elektronické komponenty a nesmí být likvidován jako běžný komunální odpad. Postupujte prosím v souladu s místními předpisy pro likvidaci elektrických a elektronických zařízení.

LABORATORNÍ TLUMENÍ

Třída omezení hluku (SNR) byla zjištěna při vypnutém zařízení. Vysvětlivky pro tabulky tlumení:

Evropská směrnice EN 352

Z výzkumu vyplývá, že uživatelé mohou v praxi zaznamenat nižší úroveň redukce hluku, než je uvedeno na obalu, z důvodu rozdílů v těsnosti přilehnutí, zkušeností s nasazením a motivací uživatelů. Informace ohledně úpravy hodnot uvedených na štítku a odhadu utlumení najdete v příslušných nařízeních. Společnost 3M také důrazně doporučuje funkci ochrany sluchu vyzkoušet.

- A:1 Frekvence (Hz)
- A:2 Střední tlumení (dB)
- A:3 Směrodatná odchylka (dB)
- A:4 Předpokládaná hodnota ochrany, APV (dB)
- A:5

H = odhad ochrany sluchu pro vysokofrekvenční zvuky ($f \geq 2000$ Hz).

M = odhad ochrany sluchu pro středněfrekvenční zvuky (500 Hz < f < 2000 Hz).

L = odhad ochrany sluchu pro nízkofrekvenční zvuky ($f \leq 500$ Hz).

A:6 Úroveň kritéria

H = úroveň kritéria pro vysokofrekvenční hluk

M = úroveň kritéria pro hluk o střední frekvenci

L = úroveň kritéria pro nízkofrekvenční hluk

A:7 Evropská norma EN 352-6 Hodnoty vnějšího audiovstupu

- A:8 Úroveň vstupního signálu U (mV, RMS)
- A:9 Střední úroveň akustického tlaku (dB(A))
- A:10 Směrodatná odchylka akustického tlaku (dB)
- A:11 Úroveň vstupního signálu, při které se střední plus jedna směrodatná odchylka rovná 82 dB(A)

B) Australská/novozélandská norma AS/NZS 1270:2002

- B:1 Zkušební frekvence
- B:2 Střední tlumení
- B:3 Směrodatná odchylka
- B:4 Střední mínus SO

SOUČÁSTI

- C:1 Sklopný náhlavní most
- C:2 Držák mušle
- C:3 Dvoubodové uchyty
- C:4 Mušle
- C:5 Kryt baterie
- C:6 Mikrofon pro poslech okolí/prostředí
- C:7 Tlumicí vložka
- C:8 Náušník

- C:9 Kabel externího vstupu (pouze některé modely)
 C:10 Hlasový mikrofon (pouze některé modely)
 C:11 Límec
 C:12 Vstup pro hlasový mikrofon (J22) (pouze některé modely)
 C:13 Tlačítko [-] na tlačítkovém ovladači
 C:14 Tlačítko [+] na tlačítkovém ovladači
 C:15 NIB PTT

POKYNY PRO NASAZENÍ

Náhlavní most

- D:1 Vysuňte mušle a vykořte jejich horní část směrem ven, protože kabel musí vést mimo náhlavní most.
 D:2 Upravte výšku skořepin tak, že podržíte náhlavní most a posunete je nahoru nebo dolů.
 D:3 Náhlavní most musí být umístěn na temeni hlavy podle vyobrazení a měl by nést hmotnost náhlavní soupravy.

Týlní most

- D:4 Umístěte mušle na uši.
 D:5 Přidržeťte mušle na místě, umístěte hlavový popruh na temeno hlavy a upevněte.
 D:6 Hlavový popruh musí být umístěn na temeni hlavy.

E:1–E:2 Přizpůsobení hlasového mikrofonu

V zájmu udržení stabilního potlačení šumu a maximálního výkonu mikrofonu by měl být mikrofon umístěn velmi blízko ústům (méně než 3 mm).

POZNÁMKA: Při použití ve vysokých nadmořských výškách/v letectví se může rychle snížit okolní tlak, což může ovlivnit citlivost mikrofonu, například při stoupání vrtulníku. Pokud k tomu dojde, umístěte mikrofon blíže anebo mluvte hlasitěji, abyste zvýšili tlak na membránu mikrofonu.

NÁVOD K POUŽITÍ

Výměna baterií (obr. 1)

- 1–2. Vyjměte kryt z prostoru pro baterie a vložte baterie (2xAAA).
3. Polarita baterií musí odpovídat značení na prostoru pro baterie.
4. Kryty je třeba zatlačit až na doraz, aby dobře těsnily. Nízká úroveň nabití baterie je opakovaně indikována hlasovou zprávou „low battery“ (nízká úroveň nabití baterie).

Zapnutí a vypnutí náhlavní soupravy (obr. 2)

Náhlavní soupravu zapnete nebo vypnete tak, že na dobu přibližně 2 sekund podržíte stisknuté tlačítko [+] nebo [-]. Uslýšíte hlasovou zprávu pro potvrzení. Při vypnutí náhlavní soupravy se vždy uloží aktuální nastavení.

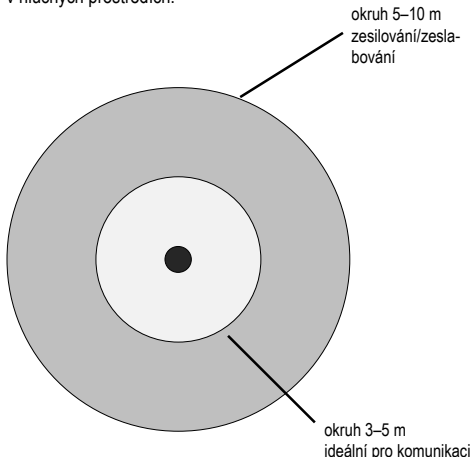
Po dvou hodinách nečinnosti se náhlavní souprava automaticky vypne. To je indikováno hlasovou zprávou v průběhu poslední minuty, než se náhlavní souprava vypne. Stisknutím tlačítka [+] nebo [-] zrušíte dvouhodinový časový limit.

Přizpůsobení hlasitosti (obr. 3)

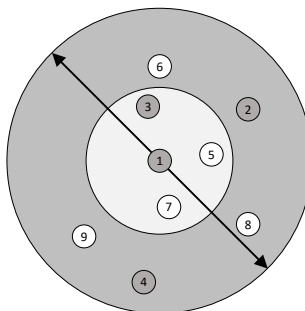
Stiskněte [+] nebo [-] pro nastavení hlasitosti poslechu okolí/prostředí. K dispozici jsou čtyři úrovně nastavení a také možnost vypnutí poslechu okolí/prostředí. Nastavení maximální úrovně je potvrzeno pípnutím. Režim vypnutí poslechu okolí/prostředí je potvrzen hlasovou zprávou.

Komunikace tvář v tvář prostřednictvím technologie NIB

NIB umožňuje komunikaci tvář v tvář na krátkou vzdálenost v hlučných prostředích.



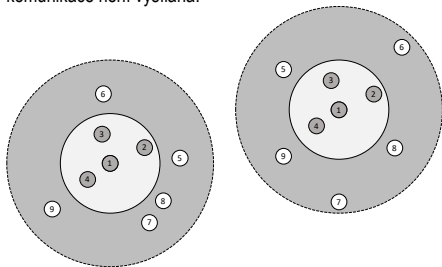
Technologie NIB umožňuje bezdrátovou komunikaci v okruhu 10 m. Plně obousměrná komunikace až mezi čtyřmi osobami v tomto okruhu.



V hlučných prostředích jednoduše přejděte blíže k osobě, se kterou chcete komunikovat. Technologie NIB se bude mírně zesilovat a zeslabovat (okruh 5–10 m) a umožní komunikaci s lidmi, kteří se nacházejí ve vaší blízkosti. Optimální komunikační signál získáte v okruhu 3–5 m.

Pokud jsou čtyři plně obousměrné vysílací kanály obsazeny (1–4), tak mohou ostatní uživatelé stále poslouchat, ale nejsou schopni vysílat (5–9). Horní limit posluchačů je spíše než samotnou technologií omezen počtem osob, které se vejdou do okruhu 10 m.

POZNÁMKA: Pokud se o vysílání prostřednictvím NIB pokouší více než čtyři uživatelé, pak 5. a každý další uživatel pokoušející se o vysílání uslyší pípání, které naznačuje, že odchozí komunikace není vysílána.



Skupina NIB, do níž náležíte, závisí na poloze, kterou zaujímáte vy a ostatní náhlavní soupravy NIB.

Funkce NIB je v činnosti, pokud úroveň okolního hluku přesáhne hodnotu přibližně 80 dB a pokud je hluk souvislý po dobu přibližně 1 sekundy.

Funkce NIB je v činnosti také při hodnotách nižších než 80 dB, pokud uživatel stiskne tlačítko PTT v režimu PTT nebo v režimu VOX.

Aktivace NIB (obr. 7)

Rychlým dvojitým stisknutím tlačítka PTT přepínáte mezi režimy NIB PTT ON/NIB OFF/NIB VOX ON.

Stisknutí a podržení tlačítka NIB PTT umožní komunikaci v okruhu 10 m, a to v režimu NIB VOX ON a režimu NIB PTT ON.

NIB VOX ON – v tomto režimu se na základě vysoké úrovně hluku aktivuje rádio NIB a umožní komunikaci VOX až mezi čtyřmi uživateli. Stisknutí tlačítka PTT v režimu VOX ON umožní rovněž komunikaci v tichém prostředí.

Pokud náhlavní souprava pracuje v prostředí s přerušovaným hlukem, pak může hluk vyvolat opakovanou aktivaci režimu NIB VOX. V takové situaci můžete využít režim NIB PTT ON.

NIB PTT ON – v tomto režimu je pro zahájení vysílání nutné stisknout tlačítko PTT.

NIB OFF – tento režim VYPÍNÁ rádio NIB. V režimu NIB OFF není z rádia NIB vysílán žádný signál RF.

Push-To-Talk (stlač a mluv) pro funkci NIB (obr. 8)

Pro vysílání NIB stiskněte a podržte tlačítko PTT na levé mušli.

Vstup do nabídky (obr. 4)

1. Stisknutím a podržením tlačítka [+] a [-] vstoupíte do nabídky. Uslyšíte hlasové potvrzení.
2. Pro procházení nabídkou stiskněte krátce tlačítko [-]. Položky nabídky jsou vyjmenovány v následující části.
3. Pomocí tlačítka [+] se mění nastavení a případně se prochází dostupná nabídka. Každou položku potvrdí hlasová zpráva, po které následuje informace o aktuálním nastavení. Změny

se rovněž potvrzují hlasovou zprávou. Po několika sekundách neaktivity se nabídka vrátí do režimu hlasitosti. Stisknutím tlačítka [+] a [-] lze v jakékoli fázi nabídky okamžitě otevřít nastavení hlasitosti.

Ambient/Environmental listening mode (Režim poslechu okolí/prostředí)

Režim poslechu okolí/prostředí je dostupný v klasickém režimu a pokročilém režimu. Klasický režim umožňuje nastavení hlasitosti ve čtyřech krocích pomocí zvyšování nebo snižování hladiny zvuku poslechu okolí/prostředí. Pokročilý režim obsahuje čtyři přednastavené volby optimalizované pro různé zvukové profily.

Nastavení	Zamýšlené použití
Pokročilý režim 1 (Komfort)	Pro pohodlné používání ve velmi hlučných prostředích.
Pokročilý režim 2 (Konverzáce)	Pro přirozený zvukový zážitek, pokud je zapotřebí ochrana před prudkými zvuky.
Pokročilý režim 3 (Obchůzka)	Pro vysoké povědomí o okolní situaci při procházení prostředím s nízkým hlukem.
Pokročilý režim 4 (Dohled)	Pro intenzivní povědomí o okolní situaci v tichém prostředí.

Battery (Baterie)

Zvolte typ baterie, který používáte ve své náhlavní soupravě: alkalické nebo dobíjecí.

Wireless input (Bezdrátový vstup)

1. Při nastavení šňůry kolem krku postupujte podle pokynů pro 3M™ PELTOR™ TEP-LOOP.*
2. V nabídce náhlavní soupravy nastavte bezdrátový vstup a citlivost tak, aby odpovídaly připojené šňůře kolem krku. Zvolte možnost Vypnuto/Nízká/Střední/Vysoká (Off/Low/Medium/High).
3. V případě potřeby upravte hlasitost na externím rádiu.

POZNÁMKA: Hlasitost se může lišit v závislosti na vzdálenosti mezi náhlavní soupravou a šňůrou na krk.

Wired input (Kabelový vstup)

Nastavte kabelový vstup a citlivost, aby odpovídaly kabelovému zařízení. Zvolte možnost Nízká/Vysoká (Low/High).

Balance (Vyvážení)

Nastavením vyvážení se upravuje vyvážení hlasitosti mezi pravým a levým uchem. K dispozici je sedm úrovní nastavení: Střed, Vlevo 1, Vlevo 2, Max. vlevo, Max. vpravo, Vpravo 2, Vpravo 1 (Center, Left 1, Left 2, Max left, Max right, Right 2, Right 1).

Warning signals (Výstražné signály)

Nastavením výstražných signálů se aktivují/deaktivují výstražné signály „low battery“ (nízká úroveň nabití baterie) a „automatic power off“ (automatické vypnutí). Pokud je nastavení vypnuto, nebudou výstražné signály slyšet.

Automatic power off (Automatické vypnutí)

Nastavením automatického vypnutí se zapíná/vypíná funkce

automatického vypnutí.

NIB frequency (Frekvence NIB)

Pro Severní Ameriku, Austrálii a Nový Zéland je frekvence NIB 915 MHz.

Pro Evropu je frekvence NIB 864 MHz.

Zvolte frekvenci NIB: 864 MHz (EU) nebo 915 MHz (Severní Amerika, AU, NZ). Pro zvolení stiskněte tlačítko [+] a pro potvrzení volby stiskněte a podržte tlačítko [+].

POZNÁMKA: Ujistěte se, že používáte frekvenci schválenou pro region, ve kterém se nacházíte.

Factory reset (Obnova továrního nastavení)

Obnoví veškerá nastavení nabídky na výchozí hodnoty. Toto nastavení je po hlasové výzvě „confirm factory reset“ (potvrďte obnovu továrního nastavení) potřeba potvrdit stisknutím tlačítka [+].

ODSTRAŇOVÁNÍ PROBLÉMŮ FUNKCE NIB

Problém	Možné příčiny	Návrh
Náhlavní souprava během vysílání pípá.	Kanál NIB je obsazen čtyřmi osobami.	Vyčkejte, až se uvolní místo.
Náhlavní souprava během vysílání pípá.	V okruhu není žádná další náhlavní souprava.	Ujistěte se, že se v okruhu nachází jiná používaná náhlavní souprava.
Nelze slyšet ostatní nebo s nimi nelze komunikovat.	Nepoužíváte správnou frekvenci NIB pro region, ve kterém se nacházíte.	Zvolte v nabídce správnou frekvenci NIB. Zobrazte frekvenci NIB.
Nelze slyšet ostatní nebo s nimi nelze komunikovat.	Funkce NIB není aktivována.	Procházejte mezi různými režimy pomocí tlačítka PTT. Zobrazte aktivaci funkce NIB.

ČIŠTĚNÍ A ÚDRŽBA

Pravidelně omývejte vnější skořepiny, náhlavní most a náušníky hadříkem namočeným v teplé mýdlové vodě.

POZNÁMKA: NEPONORUJTE chrániče sluchu do vody. Pokud chrániče sluchu navlhnou na dešti nebo potem, otočte sluchátka směrem ven, vyjměte náušníky a pěnové vložky a nechte je vyschnout. Náušníky a pěnové vložky se mohou v průběhu používání poškodit, a proto by měly být často kontrolovány, například nejsou-li prasklé nebo jinak poškozené. Při pravidelném používání doporučuje společnost 3M vyměnit pěnové vložky a náušníky minimálně dvakrát ročně,

abyste zajistili stálé tlumení, hygienu a pohodlí. Je-li náušník poškozený, je nutné jej vyměnit. Viz níže uvedený seznam náhradních dílů.

SEJMUTÍ A VÝMĚNA NÁUŠNÍKŮ

F:1 Chcete-li náušník sejmut, zasuňte prsty pod okraj polstrování náušníků a vytáhněte jej směrem ven.

F:2 Vyjmutí stávajících vložek a vložení nových pěnových vložek.

F:3 Nasaďte jednu stranu náušníku do drážky mušle a zatlačte opačnou stranu, dokud náušník nezaklapne na místo.

APLIKACE PÁSKY NA OCHRANU MIKROFONU

Mikrofon chraňte před vlhkostí a nečistotami chráničem HYM1000.

Nasazení chrániče (obr. G):

G:1 Pomocí nůžek odstříhnete 100 mm pásky na ochranu mikrofonu. Sejměte ochranný papír.

G:2 Položte mikrofon na konec pásky, jak je znázorněno na obrázku.

G:3 Přehněte ochrannou pásku a ujistěte se, že je celý mikrofon zakrytý.

G:4 Pevným stisknutím ochrannou pásku utěsněte.

G:5 Mikrofon je nyní připraven k používání.

NÁHRADNÍ DÍLY A PŘÍSLUŠENSTVÍ

3M™ PELTOR™ HY68 SV Hygienická sada
Vyměnitelná hygienická sada. Vyměňujte minimálně dvakrát ročně, abyste zajistili stálé tlumení, hygienu a pohodlí.
3M™ PELTOR™ HY80-EU Hygienická sada s gelovým polstrováním

3M™ PELTOR™ HY100A Chrániče na jedno použití
Chránič na jedno použití, který se snadno navlékne na polstrování náušníků.

3M™ PELTOR™ MT73 Voděodolný mikrofon
Voděodolný dynamický hlasový mikrofon.

3M™ PELTOR™ M171/2 Ochrana mikrofonu proti větru

3M™ PELTOR™ HYM1000 Chránič mikrofonu
Vlhkosti a větru odolná páska, která chrání mikrofon.

3M™ PELTOR™ M60/2 Větrná ochrana pro mikrofony snímající okolní prostředí

3M™ PELTOR™ HY450/1 Náhlavní vložka
Používá se pro nastavení rozsahu malých velikostí sklopných náhlavních mostů.

3M™ PELTOR™ LR03NM Baterie AAA NiMH

ZÁRUKA A OMEZENÍ ODPOVĚDNOSTI

ZÁRUKA: Pokud bude u výrobku oddělení osobních ochranných prostředků společnosti 3M shledána vada

materiálu, výrobní vada nebo pokud nebude odpovídat jakémukoli přímo vyjádřenému specifickému účelu, je jedinou povinností společnosti 3M a vaším jediným nárokem, na základě rozhodnutí společnosti 3M, výrobek opravit, vyměnit nebo refundovat nákupní cenu vadné součásti nebo výrobku po vašem včasném upozornění společnosti 3M na závadu a potvrzení, že výrobek byl skladován, udržován a používán v souladu s písemnými pokyny společnosti 3M. NENÍ-LI TAK ZAKÁZÁNO ZÁKONEM, JE TATO ZÁRUKA VÝHRADNÍ A NAHRAZUJE JAKOUKOLI PŘÍMO ČI NEPŘÍMO VYJÁDŘENOU ZÁRUKU OBCHODOVATELNOSTI, VHODNOSTI PRO URČITÉ ÚČELY NEBO JINOU ZÁRUKU KVALITY A ZÁRUKY VYPLÝVAJÍCÍ Z PRODEJE NEBO OBCHODNÍCH ZVYKLOSTÍ, KROMĚ PORUŠENÍ NÁROKU NA NÁZEV A PATENTOVOU OCHRANU. Podle této záruky nenese společnost 3M žádnou odpovědnost za vadu jakéhokoli výrobku vzniklou nesprávným skladováním, manipulací nebo údržbou, nedodržením pokynů nebo úpravami výrobku nebo za poškození výrobku vzniklé nehodou, zanedbáním nebo nesprávným použitím.

OMEZENÍ ODPOVĚDNOSTI: NENÍ-LI TAK ZAKÁZÁNO ZÁKONEM, NEPŘIJÍMÁ SPOLEČNOST 3M V ŽÁDNÉM PŘÍPADĚ ODPOVĚDNOST ZA JAKÉKOLI PŘÍMÉ, NEPŘÍMÉ, ZVLÁŠTNÍ, NÁHODNÉ NEBO NÁSLEDNÉ ŠKODY NEBO ZTRÁTY (VČETNÉ ZTRÁTY ZISKU) ZPŮSOBENÉ TÍMTO PRODUKTEM, BEZ OHLEDU NA UPLATŇOVANOU PRÁVNÍ TEORII. ZDE UVEDENÉ OPRAVNÉ PROSTŘEDKY JSOU VÝHRADNÍ.

ŽÁDNÉ ÚPRAVY: Provádění jakýchkoli úprav tohoto zařízení bez předchozího písemného souhlasu společnosti 3M je zakázáno. Neautorizované úpravy mohou zrušit nárok na záruku a oprávnění uživatele k používání zařízení.

POZNÁMKA:

- Nepoužívejte společně staré a nové baterie.
- Nepoužívejte společně alkalické, standardní nebo dobíjecí baterie.
- Správný postup likvidace baterií najdete v místních předpisech pro likvidaci pevného odpadu.
- Používejte pouze nedobíjecí baterie AAA nebo dobíjecí baterie NIMH (podle specifikace).

3M™ PELTOR™ ComTac™ VI NIB Headset MT20H682**.*N**

EINFÜHRUNG

Herzlichen Glückwunsch und vielen Dank, dass Sie sich für die 3M™ PELTOR™ Kommunikationslösungen entschieden haben! Willkommen in der nächsten Generation der geschützten Kommunikation.

VERWENDUNGSZWECK

Diese 3M™ PELTOR™ Headsets sind dafür vorgesehen, Schutz vor gefährlichem Lärm und lauten Geräuschen zu bieten und dem Benutzer dabei die Möglichkeit zu geben, über die Umgebungs-/Umweltmikrofone Geräusche aus dem Umfeld und angeschlossene Kommunikationsgeräte zu hören sowie mit der integrierten Natural Interaction Behavior (NIB)-Technologie für natürliches Interaktionsverhalten in Bereichen mit stetigem starkem Lärm direkt kommunizieren zu können. Es wird erwartet, dass alle Benutzer die Gebrauchsanleitung lesen und verstehen und mit der Benutzung des Geräts vertraut sind.

WICHTIG

Vor Gebrauch müssen alle Sicherheitshinweise in dieser Anleitung gelesen, verstanden und beachtet werden. Diese Anleitung ist für künftige Verwendungen aufzubewahren. Bitte wenden Sie sich für weitere Informationen oder bei Fragen an den technischen Service von 3M (Kontaktinformationen finden Sie auf der letzten Seite).



WARNUNG

Dieser Gehörschutz trägt dazu bei, das Gehör vor gesundheitsschädlichem Lärm und anderen lauten Geräuschen zu schützen. Ein unsachgemäßer oder nachlässiger, d. h. nicht kontinuierlicher Gebrauch in lärmbelasteter Umgebung kann zu Gehörschäden oder Verletzungen führen. Zum korrekten Gebrauch befragen Sie Ihren Vorgesetzten und lesen Sie die Gebrauchsanleitung oder wenden Sie sich an den technischen Service von 3M. Wenn Sie das Gefühl haben, schlecht zu hören, oder wenn Sie während oder nachdem Sie Lärm ausgesetzt sind (einschließlich Gewehrschüssen) ein Klingeln oder Summen hören, oder wenn Sie aus einem anderen Grund ein Hörproblem vermuten, müssen Sie die laute Umgebung umgehend verlassen und sich an eine medizinische Fachkraft oder Ihren Vorgesetzten wenden.

Eine Nichtbeachtung dieser Anleitung kann zu schwerwiegenden Gesundheitsschäden oder zum Tod führen:

- a. Das Hören von Musik oder anderen Audioquellen kann Ihre Situationserkennung und Ihre Fähigkeit, Warnsignale zu hören, verschlechtern. Bleiben Sie aufmerksam und stellen Sie die Lautstärke der Audiosignale auf den geringstmöglichen Wert ein. Während die Unterhaltungsfunktion benutzt wird, kann die Hörbarkeit von Warnsignalen an bestimmten Arbeitsplätzen beeinträchtigt sein.
- b. Um mit der Entzündung einer Explosion verbundene Risiken zu verringern, darf dieses Produkt in einer potenziell explosiven Atmosphäre nicht verwendet werden.

Eine Nichtbeachtung dieser Anleitung kann die vom Gehörschutz gebotene Schutzwirkung verringern und zu Hörverlusten führen:

- a. Untersuchungen weisen darauf hin, dass die Schalldämmung aufgrund der Passgenauigkeit, Anpassungsfähigkeit und Motivierung der Benutzer für die Benutzer geringer ausfallen kann, als der/die auf der Packung angegebene(n) Schalldämmwert(e). Für die Anpassung der angegebenen Werte und der erreichbaren Dämmung sind die geltenden Vorschriften zu beachten. Ergänzend empfiehlt 3M strengstens eine Dichtsitzprüfung für den Gehörschutz.
- b. Der Gehörschutz muss sorgfältig ausgewählt sein, passen, angepasst und gewartet sein. Durch schlechten Sitz dieses Geräts wird die Schallschutzwirkung verringert. Die beigefügte Anleitung ist zu beachten, damit der Gehörschutz gut sitzt.
- c. Der Gehörschutz muss vor jeder Benutzung sorgfältig kontrolliert werden. Wenn er beschädigt ist, einen unbeschädigten Gehörschutz verwenden oder laute Umgebungen vermeiden.
- d. Wenn zusätzliche persönliche Schutzausrüstung erforderlich ist (z. B. Schutzbrille, Atemschutzmaske, usw.), solche mit flexiblen, dünnen Bügeln oder Bändern verwenden, um den Einfluss auf die Dichtungsringe zu minimieren. Alle anderen nicht erforderlichen Gegenstände (z. B. Haare, Hüte, Schmuck, Kopfhörer, Hygieneabdeckungen, usw.), die Auswirkung auf die Dichtungsringe haben und den Schutz des Gehörschutzes verringern könnten, müssen entfernt werden.
- e. Der Kopfbügel oder der Nackenbügel darf nicht verbogen oder verformt werden und der Gehörschutz muss mit ausreichender Kraft festgehalten werden.
- f. Der Gehörschutz und besonders die Dichtungsringe können im Laufe der Zeit Alterungserscheinungen zeigen. Sie sollten regelmäßig beispielsweise auf Risse und Undichtigkeiten untersucht werden. Bei regelmäßiger Verwendung sind die Dichtungsringe und die Schaumauskleidungen mindestens zweimal im Jahr auszutauschen, damit Dämpfung, Hygiene und Komfort dauernd erhalten bleiben.
- g. Das Ausgangssignal vom elektrischen Audio-Schaltkreis dieses Gehörschutzes kann das tägliche Schallpegellimit übersteigen. Stellen Sie die Lautstärke der Audiosignale auf den geringstmöglichen Wert ein.
- h. Wenn die obigen Anforderungen nicht befolgt werden, verschlechtert sich die Schutzwirkung des Gehörschutzes erheblich.

EN 352 Sicherheitsaussagen:

- Das Ausgangssignal des niveauabhängigen Schaltkreises in diesem Gehörschutz kann den externen Schallpegel übersteigen.
- Hygiene-Auflagen auf den Dichtungsringen können die akustische Leistung des Gehörschutzes beeinträchtigen.
- Die Leistung kann sich mit der Batteriebetriebsdauer verschlechtern. Die zu erwartende typische Betriebsdauer der Gehörschutzatterie beträgt bei kontinuierlichem Betrieb bei:
 - LDF und NIB: ca. 30 Stunden
 - LDF: ca. 50 Stunden
- Dieses Produkt kann durch bestimmte chemische Stoffe

beeinträchtigt werden. Weitere Informationen können beim Hersteller angefordert werden.

- Dieser Gehörschutz ist nur in der Größe „Small“ erhältlich. Ein EN 352-1 entsprechender Gehörschutz ist in der Größe „Medium“ oder „Small“ oder „Large“ erhältlich. Ein Gehörschutz der Größe „Medium“ passt für die meisten Benutzer. Ein Gehörschutz der Größe „Small“ oder „Large“ ist für Benutzer vorgesehen, für die die Größe „Medium“ nicht geeignet ist.
- Das Produkt ist nicht für andauernde hohe niederfrequente Schallpegel geeignet.

ACHTUNG:

- Explosionsgefahr, wenn die Batterien durch einen falschen Typ ersetzt werden.
- Nur für das Produkt geeignete Ersatzteile von 3M verwenden. Die Verwendung nicht zugelassener Ersatzteile kann zu einer Verringerung der von diesem Produkt gebotenen Schutzwirkung führen.

ACHTUNG

- Wenn dieser Gehörschutz entsprechend dieser Gebrauchsanleitung getragen wird, trägt er dazu bei, die Belastung sowohl durch Dauerlärm, wie industriellen Lärm, den Lärm von Fahrzeugen und Flugzeugen, als auch sehr laute Schallspitzen wie Gewehrschüsse zu reduzieren. Der erforderliche und/oder vorhandene Gehörschutz während der Belastung durch Schallspitzen lässt sich nur schwer vorhersagen. Bei Gewehrschüssen hängt die Leistungsfähigkeit des Gehörschutzes vom Waffentyp, der Anzahl der abgegebenen Schussfolgen, der richtigen Auswahl, dem Sitz und der Verwendung des Gehörschutzes, der ordnungsgemäßen Pflege des Gehörschutzes sowie anderen Parametern ab. Um mehr über Gehörschutz für Impulslärm zu lernen, besuchen Sie bitte www.3M.com/hearing.
- Dieser Gehörschutz ist mit einer niveaubehängigen Dämmfunktion ausgestattet. Der Benutzer sollte vor dem Gebrauch die korrekte Funktion kontrollieren. Wenn Verzerrungen oder Fehler entdeckt werden, sollte der Benutzer die Empfehlungen des Herstellers in puncto Pflege und Batteriewechsel beachten.
- Dieser Gehörschutz hat einen elektrischen Audioeingang. Der Benutzer sollte vor dem Gebrauch die korrekte Funktion kontrollieren. Wenn Verzerrungen oder Fehler entdeckt werden, sollte der Benutzer die Empfehlungen des Herstellers beachten.
- Betriebstemperaturbereich: -20 °C (-4 °F) bis 55 °C (131 °F)
- Temperaturbereich für die Lagerung: -20 °C (-4 °F) bis 55 °C (131 °F)
- Gewicht des Gehörschutzes: MT20H682FB-**N** = 340 g, MT20H682BB-**N** = 313 g, MT20H682FB-**N***(HY80) = 379 g.
- Lebensdauer 5 Jahre, außer Batterien.

ZULASSUNGEN

3M Svenska AB erklärt hiermit, dass das Sprechfunkgerät mit der Richtlinie 2014/53/EU und anderen anwendbaren Richtlinien übereinstimmt und somit die Anforderungen für die CE-Kennzeichnung erfüllt. 3M Svenska AB erklärt auch, dass das

Headset vom PPE-Typ mit der Verordnung (EU) 2016/425 oder der Gemeinschaftsrichtlinie 89/686/EWG übereinstimmt.

Die anwendbare Gesetzgebung kann mithilfe der Konformitätserklärung unter www.3M.com/peltor/doc ermittelt werden. Die Konformitätserklärung zeigt auch, ob auch andere Typenprüfungen anwendbar sind. Geben Sie beim Herunterladen der Konformitätserklärung bitte Ihre Teilenummer an. Die Teilenummer Ihres Gehörschutzes befindet sich an der Unterseite einer der Kapseln. Folgendes Bild zeigt ein Beispiel.



Das PPE-Produkt wird durch Finnish Institute of Occupational Health (Benannte Stelle Nr. 0403) Topeliuksenkatu 41 b, FI-00250 Helsinki, Finnland, jährlich überprüft (wenn es sich um Kategorie-III-Produkte handelt) und einer Typenprüfung unterzogen. Das Produkt wurde geprüft und zugelassen in Übereinstimmung mit EN 352-1:2002, EN 352-4:2001/A1:2005, EN 352-6:2002.

Eine Kopie der Konformitätserklärung und weitergehende in den Richtlinien geforderte Informationen können Sie erhalten, wenn Sie sich im Land des Erwerbs an 3M wenden. Kontaktinformationen finden Sie auf den letzten Seiten dieser Gebrauchsanleitung.



Dieses Produkt enthält elektrische und elektronische Komponenten und darf nicht über den Restmüll entsorgt werden. Die lokalen Vorschriften zur Entsorgung von elektrischen und elektronischen Ausrüstungen sind zu beachten.

DÄMPFUNG UNTER LABORBEDINGUNGEN

Der Dämmwert SNR wurde mit einem abgeschalteten Gerät erreicht. Erklärung der Dämmwerttabellen:

Europäische Norm EN 352

Untersuchungen weisen darauf hin, dass die Schalldämmung aufgrund der Passgenauigkeit, Anpassungsfähigkeit und Motivierung der Benutzer für die Benutzer geringer ausfallen kann, als der/die auf der Packung angegebene(n) Schalldämmwert(e). Für die Anpassung der angegebenen Werte und der erreichbaren Dämmung sind die geltenden Vorschriften zu beachten. Ergänzend empfiehlt 3M strengstens eine Dichtsitzprüfung für den Gehörschutz.

- A:1 Frequenz (Hz)
- A:2 Mittelwert Dämpfung (dB)
- A:3 Standardabweichung (dB)
- A:4 Angenommene Schutzwirkung, APV (dB)
- A:5

H = Geschätzter Gehörschutz für Töne mit hohen Frequenzen ($f \geq 2000$ Hz).

M = Geschätzter Gehörschutz für Töne mit mittleren Frequenzen ($500 \text{ Hz} < f < 2000$ Hz).

L = Geschätzter Gehörschutz für Töne mit niedrigen Frequenzen ($f \leq 500$ Hz).

A:6 Kriterienniveaus

H = Kriterienniveau für hochfrequenten Schall

M = Kriterienniveau für mittelfrequenten Schall

L = Kriterienniveau für niederfrequenten Schall

A:7 Europäische Norm EN 352-6 Eingangspegel für externe Audioeingänge

A:8 Eingangssignalpegel U (mV, RMS)

A:9 Mittelwert Schalldruckpegel (dB(A))

A:10 Standardabweichung Schalldruckpegel (dB)

A:11 Eingangssignalstärke, bei der Mittelwert plus eine Standardabweichung 82 dB(A) ist.

B) Australien/Neuseeland Norm AS/NZS 1270:2002

B:1 Testfrequenzen

B:2 Mittelwert Dämpfung, Mean Att

B:3 Standardabweichung, St Dev

B:4 Mittelwert minus SD

BESTANDTEILE

C:1 Zusammenfaltbarer Kopfbügel

C:2 Kapselbügel

C:3 Zweipunkt-Aufhängung

C:4 Kapsel

C:5 Batteriedeckel

C:6 Mikrofon für Umgebungs-/Umweltgeräusche

C:7 Dämmkissen

C:8 Dichtungsringe

C:9 Kabel für externen Eingang (nur bestimmte Modelle)

C:10 Sprechmikrofon (nur bestimmte Modelle)

C:11 Nackenbügel

C:12 Mikrofoneingang (J22) (nur bestimmte Modelle)

C:13 [-]-Taste im Tastensatz

C:14 [+]-Taste im Tastensatz

C:15 NIB PTT

AUFSETZANLEITUNG

Kopfbügel

D:1 Die Kapseln nach außen schieben und die Oberseite der Schale nach außen neigen. Dabei muss das Kabel an der Außenseite des Kopfbügels entlangführen.

D:2 Die Höhe der Kapseln einstellen, bis sie dicht und bequem sitzen. Dabei den Kopfbügel mit der einen Hand festhalten.

D:3 Der Kopfbügel soll wie dargestellt über die Kopfmittle verlaufen und das Gewicht des Headsets abstützen.

Nackenbügel

D:4 Die Kapseln auf die Ohren setzen.

D:5 Die Kapseln festhalten, den Kopfbügel über den Kopf ziehen und eng anziehen.

D:6 Der Kopfbügel soll über die Kopfmittle verlaufen.

E:1–E:2 Anlegen des Sprechmikrofons

Um die Leistung des Sprechmikrofons in lauten Umgebungen zu maximieren, darf das Mikrofon nur wenige Millimeter (weniger als 3 mm oder 1/8 inch) vom Mundwinkel entfernt sein.

HINWEIS: Bei Verwendung in hohen Höhen / beim Fliegen kann sich zum Beispiel beim Hubschrauberaufstieg der Umgebungsdruck schnell verringern und die Mikrofonempfindlichkeit beeinflussen. Wenn dies auftritt, muss das Mikrofon dichter am Mund positioniert und/oder lauter gesprochen werden, damit der Druck auf die Mikrofonmembran erhöht wird.

GEBRAUCHSANLEITUNG

Austauschen der Batterien (Abb. 1)

1–2. Batteriefachdeckel abnehmen und Batterien (2 x AAA) einlegen.

3. Die Polarität der Batterien muss mit der Kennzeichnung im Batteriefach übereinstimmen.

4. Der Batteriefachdeckel muss am gesamten Rand eingedrückt werden, damit er gut abdichtet. Die Sprachmitteilung „low battery“ (schwache Batterie) weist wiederholt darauf hin, dass die Batteriekapazität nachlässt.

Ein- und Ausschalten des Headsets (Abb. 2)

Zum Ein- oder Ausschalten des Headsets die [+] - oder die [-]-Taste etwa 2 Sekunden lang drücken. Eine Sprachmitteilung bestätigt dies. Beim Ausschalten des Headsets werden die letzten Einstellungen gespeichert.

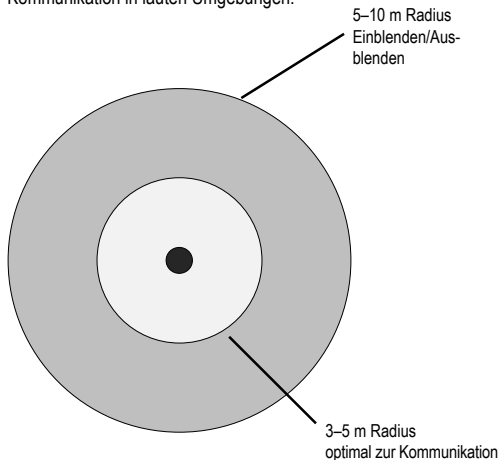
Das Headset wird nach zwei Stunden Inaktivität automatisch ausgeschaltet. Dies wird während der letzten Minute vor dem Ausschalten des Headsets durch eine Sprachmitteilung angezeigt. Ein Druck auf die [+] - oder die [-]-Taste stellt den 2-Stunden-Timer auf Null zurück.

Einstellung der Lautstärke (Abb. 3)

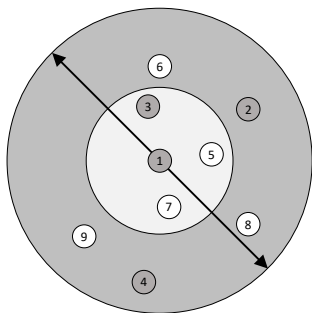
Die [+] - oder die [-]-Taste drücken, um die Lautstärke der Umgebungs-/Umweltgeräusche einzustellen. Es gibt vier Einstellstufen sowie die Möglichkeit, die Umgebungs-/Umweltgeräusche auszuschalten. Die Maximaleinstellungen werden durch einen Signalton angezeigt. Bei ausgeschaltetem Hören der Umgebungs-/Umweltgeräusche wird dies durch eine Sprachmitteilung bestätigt.

Direkte Kommunikation mithilfe der NIB-Technologie

NIB ermöglicht innerhalb eines engen Rahmens die direkte Kommunikation in lauten Umgebungen.



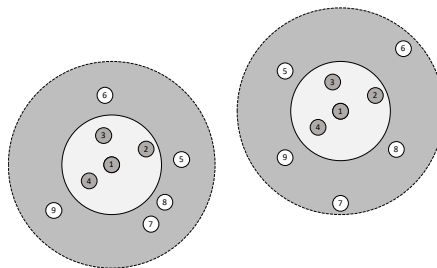
Die NIB-Technologie ermöglicht die kabellose Kommunikation innerhalb eines Radius von 10 m. Full-Duplex-Kommunikation für bis zu vier Personen innerhalb dieses Bereichs.



In lauten Umgebungen muss nur dicht an die Person herangegangen werden, mit der gesprochen werden soll. Die NIB-Technologie blendet sanft ein und aus (5–10 m Radius) und ermöglicht die Kommunikation mit Personen in der Nähe. Ein Radius von 3–5 m ist für das Kommunikationssignal optimal.

Wenn die vier Voll-Duplex-Übertragungskanäle belegt sind (1–4), können weitere Nutzer weiterhin zuhören. Sie können aber selbst nichts übertragen (5–9). Die maximale Anzahl an Zuhörern ist eher durch die Anzahl der Personen beschränkt, die in einen Radius von 10 m passen, als durch die Möglichkeiten der Technologie.

HINWEIS: Wenn mehr als vier Nutzer versuchen, über NIB zu übertragen, hören der 5. und jeder weitere Nutzer, die versuchen, die Übertragung zu starten, Signaltöne, die anzeigen, dass die ausgehende Kommunikation nicht übertragen wird.



Die Zugehörigkeit zu einer NIB-Gruppe hängt davon ab, wo sich die NIB-Headsets befinden.

NIB arbeitet, wenn der Schallpegel in der Umgebung etwa 80 dB übersteigt und wenn das Geräusch etwa 1 Sekunde anhält.

NIB arbeitet auch bei weniger als 80 dB, wenn der Nutzer im PTT-Modus oder im VOX-Modus die PTT-Taste drückt.

Aktivierung von NIB (Abb. 7)

Durch schnelles zweifaches Drücken der PTT-Taste wird zwischen NIB PTT ON/NIB OFF/NIB VOX ON umgeschaltet.

Drücken und Halten der NIB PTT-Taste ermöglicht im NIB VOX ON-Modus und im NIB PTT ON-Modus die Kommunikation innerhalb eines Radius von 10 m.

NIB VOX ON – In diesem Modus aktivieren hohe Schallpegel die NIB-Funkübertragung und ermöglichen die VOX-Kommunikation für bis zu vier Nutzer. Drücken der PTT-Taste im VOX ON-Modus ermöglicht auch die Kommunikation in ruhigen Umgebungen.

Wenn das Headset in einer Umgebung mit wechselnder Lautstärke arbeitet, können die Geräusche NIB VOX wiederholt aktivieren. In dieser Situation kann NIB PTT ON verwendet werden.

NIB PTT ON – In diesem Modus muss die PTT-Taste für eine Übertragung gedrückt werden.

NIB OFF – Dieser Modus SCHALTET die NIB-Übertragung AUS. Bei NIB OFF wird vom NIB-Funkgerät kein RF-Signal ausgesendet.

Push-To-Talk (Sprechtaste) für NIB (Abb. 8)

PTT-Taste an der linken Kapsel drücken und halten, um über NIB zu übertragen.

Verwendung des Menüs (Abb. 4)

1. Zum Verwenden des Menüs die [+] - und die [-] -Taste gedrückt halten. Eine Stimme bestätigt dies.
2. Zum Blättern durch das Menü die [-] -Taste kurz drücken. Die Menü-Schritte sind unten aufgelistet:
3. Die [+] -Taste verwenden, um die Einstellung zu ändern und, sofern verfügbar, um durch die zur Verfügung stehenden Einstellungen zu gehen. Eine Sprachmitteilung bestätigt jeden

Schritt und gibt die aktuelle Einstellung an. Änderungen werden auch durch eine Sprachmitteilung bestätigt. Nach wenigen Sekunden Nichtaktivität kehrt das Menü in den Lautstärke-Modus zurück. Durch Drücken der [+]- und der [-]-Taste kann die Lautstärkeeinstellung aus jeder Menüstufe direkt erreicht werden.

Ambient/Environmental listening mode (Modus zum Hören von Umgebungs-/Umweltgeräuschen)

Der Modus zum Hören von Umgebungs-/Umweltgeräuschen steht in den Modi Classic und Advanced zur Verfügung. Der Modus Classic ermöglicht die Lautstärkeeinstellung in vier Schritten, indem der Schallpegel für das Hören von Umgebungs-/Umweltgeräuschen erhöht oder erniedrigt wird. Der Advanced-Modus umfasst vier voreingestellte Einstellungen, die für verschiedene Geräuschprofile optimiert sind.

Einstellung	Verwendungszweck
Modus Advanced 1 (Komfort)	Für Komfort in einer sehr lauten Umgebung.
Modus Advanced 2 (Unterhaltung)	Für ein natürliche Hörerlebnis, bei dem der Schutz vor plötzlich auftretenden Geräuschen erforderlich ist.
Modus Advanced 3 (Patroullieren)	Für hohes Situationsbewusstsein beim Gehen in einer Umgebung mit wenig Geräuschen.
Modus Advanced 4 (Überwachen)	Für starkes Situationsbewusstsein in einer leisen Umgebung.

Battery (Batterie)

Auswahl des im Headset verwendeten Batterietyps, Alkaline oder wiederaufladbar.

Wireless input (Kabelloser Eingang)

1. Zum Einrichten der Nackenschleife die Gebrauchsanleitung für 3M™ PELTOR™ TEP-LOOP-* beachten.
2. In das Headset-Menü gehen, um den kabellosen Eingang und die Empfindlichkeit so einzustellen, dass sie zur angeschlossenen Nackenschleife passt Off/Low/Medium/High (Aus/Niedrig/Mittel/Hoch) stehen zur Auswahl.
3. Bei Bedarf die Lautstärke am externen Radio einstellen.

HINWEIS: Die Lautstärke kann abhängig vom Abstand zwischen Headset und Nackenschleife variieren.

Wired input (Kabeleingang)

Einstellung des Kabeleingangs und der Empfindlichkeit, um mit dem angeschlossenen Kabelgerät zu kommunizieren. Low/High (Niedrig/Hoch) auswählen.

Balance

Die Balance-Einstellung regelt die Lautstärkebalance zwischen dem rechten und dem linken Ohr. Es gibt sieben Einstellstufen: Center (Mitte), Left 1 (Links 1), Left 2 (Links 2), Max left (maximal Links), Max right (maximal rechts), Right 2 (Rechts 2), Right 1 (Rechts 1).

Warning signals (Warnsignale)

Durch die Warnsignaleinstellung werden die Warnsignale „low battery“ (schwache Batterie) und „automatic power

off“ (automatische Abschaltung) deaktiviert/aktiviert. Im ausgeschalteten Zustand ist keines dieser Warnsignale zu hören.

Automatic power off (Automatische Abschaltung)

Die Einstellung für die automatische Abschaltung deaktiviert/aktiviert die automatische Ausschalfunktion.

NIB frequency (NIB-Frequenz)

Für Nordamerika, Australien und Neuseeland beträgt die Frequenz für NIB 915 MHz.

Für Europa beträgt die Frequenz für NIB 864 MHz.

NIB-Frequenz auswählen, 864 MHz (EU) oder 915 MHz (NA, ANZ). Die [+]-Taste drücken für die Auswahl und die [+]-Taste gedrückt halten, um die Auswahl zu bestätigen.

HINWEIS: Dabei sicherstellen, dass die für die aktuelle Region zugelassene Frequenz verwendet wird.

Factory reset (Rückstellung auf Grundeinstellungen)

Stellt alle Menüeinstellungen auf die werkseitigen Standardeinstellungen zurück. Die Einstellung muss durch Drücken auf die [+]-Taste bestätigt werden, nachdem die Stimme „confirm factory reset“ (Zurücksetzen auf die werkseitigen Standardeinstellungen bestätigen) gesagt hat.

FEHLERBEHEBUNG FÜR NIB

Problem	Mögliche Ursachen	Vorschlag
Das Headset gibt während der Übertragung Signaltöne aus.	NIB-Kanal von vier Personen belegt.	Warten, bis Kanal wieder frei ist.
Das Headset gibt während der Übertragung Signaltöne aus.	Kein anderes Headset in der Umgebung.	Sicherstellen, dass sich ein anderes Headset im Umkreis befindet.
Es kann nicht gehört oder mit anderen kommuniziert werden.	Es wird nicht die korrekte NIB-Frequenz für die aktuelle Region verwendet.	Im Menü die korrekte NIB-Frequenz auswählen. Siehe NIB-Frequenz.
Es kann nicht gehört oder mit anderen kommuniziert werden.	Die NIB-Funktion ist nicht aktiviert.	Mit der PTT-Taste zwischen den verschiedenen Modi wechseln. Siehe Aktivierung von NIB.

REINIGUNG UND WARTUNG

Äußere Kapseln, Kopfbügel und Dichtungsringe mit einem mit warmem Seifenwasser angefeuchteten Tuch reinigen.

HINWEIS: Den Gehörschutz NICHT in Wasser tauchen! Wenn der Gehörschutz von Schweiß oder Regen nass wird, die Gehörschutzkapseln nach außen drehen, die Dichtungsringe und die Schaumauskleidungen entfernen und vor dem Wiederausammenbau trocknen lassen. Die Dichtungsringe

und die Schaumauskleidungen können im Laufe der Zeit Alterungserscheinungen zeigen. Sie sollten regelmäßig beispielsweise auf Risse und andere Beschädigungen untersucht werden. Bei regelmäßiger Verwendung empfiehlt 3M, die Schaumauskleidungen und die Dichtungsringe mindestens zweimal im Jahr auszutauschen, damit Dämpfung, Hygiene und Komfort dauernd erhalten bleiben. Ein defekter Dichtungsring sollte ausgetauscht werden. Siehe Ersatzteilliste unten.

ABNEHMEN UND AUSTAUSCHEN DER DICHTUNGSRINGE

F:1 Mit den Fingern unter die innere Kante des Dichtungsringes fassen und diesen gerade herausziehen.

F:2 Vorhandene Auskleidung(en) entfernen und neue Schaumauskleidung(en) einsetzen.

F:3 Eine Seite des Dichtungsringes in die Rille an der Kapsel einfügen und dann an der gegenüberliegenden Seite drücken, bis der Dichtungsring voll einrastet.

MIKROFONSCHUTZ AUFSETZEN

Zum Schutz des angebauten Sprechmikrofons vor Feuchtigkeit und Schmutz Mikrofonschutz HYM1000 verwenden.

Aufsetzen des Schutzes (Abb. G):

G:1 Mit einer Schere 100 mm des Mikrofonschutzbandes abschneiden. Schutzpapier entfernen.

G:2 Das Mikrofon wie im Bild gezeigt am Ende des Bands ansetzen.

G:3 Das Schutzband falten und sicherstellen, dass das Mikrofon abgedeckt ist.

G:4 Fest drücken, um das Schutzband abzudichten.

G:5 Das Mikrofon ist jetzt einsatzbereit.

ERSATZTEILE UND ZUBEHÖR

3M™ PELTOR™ HY68 SV Hygienesatz

Auswechselbarer Hygienesatz. Mindestens zweimal pro Jahr auswechseln, damit Dämmwirkung, Hygiene und Komfort auf einem gleichmäßig hohen Niveau erhalten bleiben.

3M™ PELTOR™ HY80-EU Gelkissen-Hygienesatz

3M™ PELTOR™ HY100A Einmalschutz

Hygienischer Einmalschutz, als Auflage auf dem Dichtungsring. Einfach anzubringen.

3M™ PELTOR™ MT73 Wasserfestes Mikrofon

Wasserfestes dynamisches Sprechmikrofon.

3M™ PELTOR™ M171/2 Windschutz für Mikrofone

3M™ PELTOR™ HYM1000 Mikrofonschutz

Feuchtigkeits- und windfestes Klebeband zum Schutz des Sprechmikrofons.

3M™ PELTOR™ M60/2 Windschutz für das Mikrofon für Umgebungsgeräusche

3M™ PELTOR™ HY450/1 Kopfpolster

Zur Größenanpassung für kleine Größen bei zusammenfaltbarem Kopfbügel.

3M™ PELTOR™ LR03NM Akku AAA NiMH

GARANTIE UND HAFTUNGSBESCHRÄNKUNG

GARANTIE: Für den Fall, dass ein Produkt der 3M Personal Safety Division Material- oder Verarbeitungsmängel aufweist oder eine ausdrückliche Zusage für einen bestimmten Zweck nicht erfüllt, besteht die einzige Verpflichtung von 3M und Ihr einziger Anspruch darin, dass 3M, unter freier Entscheidung von 3M, solche Teile und Produkte repariert oder austauscht oder den Kaufpreis erstattet, wenn Sie uns rechtzeitig über die Angelegenheit informieren und bestätigen, dass das Produkt entsprechend der schriftlichen Anleitung von 3M aufbewahrt, gewartet und verwendet worden ist. **AUSGENOMMEN, WO DIES GESETZLICH VERBOTEN IST, GILT DIESE GARANTIE AUSSCHLIESSLICH UND ANSTELLE VON JEDLICHER AUSDRÜCKLICHEN ODER IMPLIZIERTEN ZUSICHERUNG ALLGEMEINER GEBRAUCHSTAUGLICHKEIT, EIGNUNG FÜR EINEN BESTIMMTEN ZWECK ODER ANDERER QUALITÄTZUSICHERUNGEN ODER SOLCHER, DIE SICH AUFGRUND EINES GESCHÄFTSGANGS, EINER HANDELSSTITTE ODER EINES HANDELSBRAUCHS ERGEBEN, MIT AUSNAHME VON RECHTSANSPRÜCHEN GEGEN PATENTRECHTSVERLETZUNGEN.** 3M hat unter dieser Garantie keine Verpflichtung, wenn das Produkt aufgrund unzulänglicher oder ungeeigneter Lagerung, Benutzung oder Wartung Mängel aufweist, oder weil die Produkthanleitung nicht befolgt wurde oder Veränderungen oder Schäden am Produkt aufgrund von Unfällen, Vernachlässigung oder Fehlanwendung aufgetreten sind.

HAFTUNGSBESCHRÄNKUNG: AUSGENOMMEN, WO DIES GESETZLICH VERBOTEN IST, IST 3M UNGEACHTET DER GELTENDEN RECHTSTHEORIE IN KEINEM FALL FÜR EINEN DIREKTEN, INDIRECTEN, BESONDEREN, ZUFÄLLIGEN ODER FOLGEVERLUST ODER -SCHADEN (EINSCHLIESSLICH ENTGANGENER GEWINNE) HAFTBAR, DER DURCH DIESES PRODUKT VERURSACHT WIRD. ES GELTEN AUSSCHLIESSLICH DIE HIER FESTGELEGTE RECHTSMITTEL.

KEINE VERÄNDERUNGEN: Veränderungen an diesem Gerät sind ohne schriftliche Einverständniserklärung von 3M nicht zulässig. Unerlaubte Veränderungen können die Gewährleistungsansprüche und das Recht des Benutzers, das Gerät zu verwenden, verwirken.

HINWEIS:

- Niemals alte und neue Batterien gemischt verwenden.
- Niemals Alkaline-, Standard- oder wiederaufladbare Batterien gemischt verwenden.
- Zur sicheren Entsorgung der Batterien sind die Entsorgungsvorschriften für feste Abfälle zu beachten.
- Nur nicht wiederaufladbare Batterien oder wiederaufladbare Akkus (je nach Bedarf) verwenden.



C+HC Computer + Headset Company GmbH

Die Headset Spezialisten

Borsteler Chaussee 51 | 22453 Hamburg | Tel.: (040) 500 580 20

www.comhead.de

3M™ PELTOR™ ComTac™ VI NIB Headset MT20H682***N**

INTRODUKTION

Tillykke, og tak fordi du har valgt kommunikationsløsninger fra 3M™ PELTOR™! Velkommen til næste generation af beskyttende kommunikation.

ANVENDELSESMÅRÅDER

Disse headset fra 3M™ PELTOR™ er beregnet til at beskytte mod skadelige støjniveauer og høje lyde og samtidig gøre det muligt for brugeren at høre omgivelserne via medhørs-/omgivelsesmikrofoner, lytte til tilsluttet kommunikationsudstyr og kommunikere ansigt til ansigt med integreret Natural Interaction Behavior (NIB)-teknologi ved høje niveauer af konstant støj. Det forudsættes, at alle brugere læser og sætter sig ind i den medfølgende brugsanvisning og er fortrolige med brugen af dette udstyr.

VIGTIGT

Du bedes gennemlæse, sætte dig ind i og følge alle sikkerhedsinformationerne i brugsanvisningen inden ibrugtagning. Gem denne brugsanvisning til evt. senere brug. For yderligere oplysninger eller evt. spørgsmål kontakt venligst 3M's tekniske servicere (kontaktoplysninger står på sidste side).



ADVARSEL

Dette høreværn bidrager til at reducere eksponering for skadelig støj og andre høje lyde. Manglende eller forkert brug af høreværn i hele det tidsrum, hvor man er udsat for skadelig støj, kan medføre hørenedsættelse eller høreskader. For korrekt brug kontakt en supervisor, se brugsanvisningen, eller ring til 3M's tekniske servicere. Hvis du oplever, at lydene bliver klangløse, eller hører en ringen eller summen for ørerne under eller efter eksponering for støj (herunder skudstøj) eller af andre grunde har mistanke om problemer med hørelsen, skal du straks forlade det støjfyldte område og søge læge og/eller kontakte din leder.

Manglende overholdelse af disse anvisninger kan medføre alvorlige skader eller dødsfald:

- At lytte til musik eller andre former for lydmedie kommunikation kan aflede opmærksomheden i situationen og nedsætte din evne til at høre advarselssignaler. Vær opmærksom, og juster lydstyrken til det lavest acceptable niveau. Hørbarheden af advarselssignaler på den specifikke arbejdsplads kan være nedsat ved brug af tilsluttet underholdningsudstyr.
- For at reducere de risici, der kan opstå ved udløsning af en eksplosion, må dette produkt ikke benyttes i en potentielt eksplosiv atmosfære.

Manglende overholdelse af disse anvisninger kan nedsætte den beskyttelse, som høreværnet yder, og kan medføre hørenedsættelse:

- Undersøgelser tyder på, at brugeren opnår mindre lydreduktion end den(de) dæmpningsværdi(er), der er anført på emballagen, som følge af forskelle i pasform, brugerens tilpasning af høreværnet samt motivation til at benytte

det. Se de relevante regler for vejledning om, hvordan man justerer labelværdierne og estimerer dæmpningen. Endvidere anbefaler 3M på det kraftigste individuel test af tilpasning af høreværn.

- Det skal sikres, at høreværnet er korrekt valgt, tilpasset, justeret og vedligeholdt. Mangelfuld tilpasning af udstyret vil gøre støj dæmpningen mindre effektiv. Se vedlagte brugsanvisning for korrekt tilpasning.
- Undersøg høreværnet hver gang, inden det benyttes. Hvis det er beskadiget, skal man benytte et andet og ubeskadiget høreværn eller undgå at opholde sig i støjfyldte miljøer.
- I situationer, hvor der er behov for yderligere personlige værnemidler (fx sikkerhedsbriller, åndedrætsværn osv.), skal man vælge bøjelige briller med lave flade stænger eller stropper for at minimere interferens med høreværnets tætningsringe. Hold alle andre unødvendige genstande væk fra høreværnet (fx hår, hovedbeklædning, smykker, hovedtelefoner, hygiejneovertræk osv.), som kan interferere med høreværnets tætningsringe og dermed reducere den beskyttelse, som høreværnet yder.
- Hovedbøjle og nakkebøjle må ikke bukkes eller gives en anden facon, og det skal sikres, at de er stærke nok til at holde høreværnet sikkert på plads.
- Høreværnets og specielt tætningsringenes funktion kan blive forringet ved brug, og disse bør undersøges med regelmæssige mellemrum for blandt andet revner og lækager. Ved regelmæssig brug bør tætningsringene og skumforet udskiftes mindst to gange om året for at opretholde fortsat god dæmpning, hygiejne og komfort.
- Outputtet for det elektriske audiokredsløb i dette høreværn kan overskride den daglige grænseværdi for lydniveau. Juster lydstyrken til det lavest acceptable niveau.
- Hvis ovenstående krav ikke overholdes, vil den beskyttelse, som høreværnet yder, blive alvorligt forringet.

EN 352 Sikkerhedssætninger:

- Outputtet for det niveaueafhængige kredsløb i dette høreværn kan overstige det eksterne lydniveau.
- Brug af hygiejneovertræk på tætningsringene kan påvirke høreværnets akustiske funktion.
- Funktionaliteten kan blive forringet, efterhånden som batteriet bruges. Den typiske forventede levetid for høreværnets batteri ved konstant brug er cirka:
 - LDF og NIB: 30 timer
 - LDF: 50 timer
- Visse kemikalier kan beskadige dette produkt. Yderligere information kan fås hos producenten.
- Dette høreværn er i størrelsen Small. Høreværn, der er i overensstemmelse med EN 352-1, findes i størrelserne Medium, Small og Large. Høreværn i størrelserne Small og Large er designet til at kunne passe de brugere, hvor størrelsen Medium ikke er egnet.
- Produktet er ikke egnet til høje vedvarende lavfrekvente støjniveauer.

FORSIGTIG:

- Risiko for eksplosion, hvis batteriet ikke udskiftes med den korrekte batteritype.
- Der skal altid benyttes produktspecifikke reservedele fra

3M. Brugen af uoriginale reservedel kan reducere den beskyttelse, du får fra dette produkt.

BEMÆRK

- Når dette hørevern benyttes i overensstemmelse med brugsanvisningen, medvirker det til at reducere eksponering for såvel vedvarende støj, fx industristøj og støj fra køretøjer og fly, som for meget høj impulsstøj, fx skudstøj. Det er vanskeligt at forudsige den nødvendige og/eller faktiske beskyttelse af hørelsen, der opnås ved eksponering for impulsstøj. I forbindelse med skudstøj har våbentype, antal skud, korrekt valg, tilpasning og brug af hørevern, korrekt pleje af hørevernet samt andre variable indflydelse på ydeevnen. Få mere at vide om beskyttelse af hørelsen ved impulsstøj på www.3M.com/hearing.
- Dette hørevern er udstyret med niveaafhængig dæmpning. Brugeren bør tjekke, at hørevernet fungerer korrekt, inden det benyttes. Se venligst fabrikantens vejledning vedrørende vedligeholdelse og udskiftning af batteriet, hvis der konstateres forvrængninger eller fejl.
- Dette hørevern er udstyret med elektrisk audioindgang. Brugeren bør tjekke, at hørevernet fungerer korrekt, inden det benyttes. Se venligst producentens vejledning, hvis der konstateres forvrængninger eller fejl.
- Driftstemperaturinterval: -20 °C (-4 °F) til 55 °C (131 °F)
- Opbevaringstemperaturinterval: -20 °C (-4 °F) til 55 °C (131 °F)
- Hørevernets vægt: MT20H682FB-**-**N** = 340 g, MT20H682BB-**-**N** = 313 g, MT20H682FB-**-**N**(HY80) = 379 g.
- Holdbarhed 5 år, bortset fra batterierne.

GODKENDELSER

3M Svenska AB erklærer hermed, at radiokommunikationen er i overensstemmelse med direktiv 2014/53/EU og andre direktiver, der er relevante for at opfylde kravene til CE-mærkning. 3M Svenska AB erklærer endvidere, at dette PPE-headset er i overensstemmelse Rådets forordning (EU) 2016/425 eller direktiv 89/686/EEF.

Den relevante lovgivning fremgår af Overensstemmelses-erklæringen (DoC), som kan findes på www.3M.com/peltor/doc. Det vil også fremgå af DoC, hvis andre typer godkendelser er relevante. Find dit produktnummer, når du henter din DoC. Du finder hørevernets produktnummer i bunden af en af ørekopperne. Du kan se et eksempel på nedenstående billede.



PPE-produkterne kontrolleres årligt (hvis det er kategori III-produkter), og typegodkendes af Finnish Institute of Occupational Health, Notificeret organ nr. 0403, Topeliuksenkatu 41 b, FI-00250 Helsinki, Finland. Produktet er blevet testet og godkendt i overensstemmelse med EN 352-1:2002, EN 352-4:2001/A1:2005 og EN 352-6:2002.

En kopi af DoC samt yderligere oplysninger, som måtte være krævet i direktiverne, kan også fås ved henvendelse til 3M i det land, hvor produktet er købt. For kontaktoplysninger se bagerst i denne brugermanual.



Dette produkt indeholder elektriske og elektroniske komponenter og må ikke bortskaffes som almindeligt husholdningsaffald. Se venligst lokale anvisninger for bortskaffelse af elektrisk og elektronisk udstyr.

LABORATORIEDÆMPNING

Dæmpningsgraden (SNR) blev fundet med udstyret slukket. Forklaring til dæmpningstabeller:

Europæisk standard EN 352

Undersøgelser tyder på, at brugerne opnår mindre lydreduktion end den(de) dæmpningsværdi(er), der er anført på emballagen, som følge af forskelle i pasform, brugerens tilpasning af hørevernet samt motivation til at benytte det. Se de relevante regler for vejledning om, hvordan man justerer labelværdierne og estimerer dæmpningen. Endvidere anbefaler 3M på det kraftigste individuel test af tilpasning af hørevern.

- A:1 Frekvens (Hz)
- A:2 Middeldæmpning (dB)
- A:3 Standardafvigelse (dB)
- A:4 Forventet beskyttelsesværdi, APV (dB)
- A:5

H = Estimeret beskyttelse af hørelsen ved højfrekvente lyde ($f \geq 2000$ Hz).

M = Estimeret beskyttelse af hørelsen ved middelfrekvente lyde (500 Hz < f < 2000 Hz).

L = Estimeret beskyttelse af hørelsen ved lavfrekvente lyde ($f \leq 500$ Hz).

A:6 Kriterieniveau

H = Kriterieniveau for højfrekvent støj

M = Kriterieniveau for middelfrekvent støj

L = Kriterieniveau for lavfrekvent støj

A:7 Europæisk standard EN 352-6 Niveauer for eksterne audioinput

- A:8 Indgangssignalniveau U (mV, RMS)
- A:9 Middellydtrykniveau, (dB(A))
- A:10 Lydtryk standardafvigelse (dB)
- A:11 Inputsignalniveau, ved hvilket middelværdien plus en standardafvigelse svarer til 82 dB(A)

B) Australsk/newzealandsk standard AS/NZS 1270:2002

- B:1 Testfrekvenser
- B:2 Middeldæmpning, Middeldæmp.
- B:3 Standardafvigelse, Std.afv.
- B:4 Middel minus SD

KOMPONENTER

- C:1 Sammenfoldelig hovedbøjle
- C:2 Støttearm til ørekop
- C:3 Topunktsfæste
- C:4 Ørekop

- C:5 Batteridæksel
- C:6 Mikrofon til aflytning af omgivelser
- C:7 Dæmpningspude
- C:8 Tætningsring
- C:9 Ekstern inputkabel (kun visse modeller)
- C:10 Talemikrofon (kun visse modeller)
- C:11 Nakkebøjle
- C:12 Talemikrofonindgang (J22) (kun visse modeller)
- C:13 [-] knap på tastatur
- C:14 [+] knap på tastatur
- C:15 NIB PTT

TILPASNINGSVEJLEDNING

Hovedbøjle

- D:1 Træk ørekopperne udad, og vip den øverste del udad, da kablet skal være på ydersiden af hovedbøjlen.
- D:2 Juster ørekoppernes højde ved at lade dem glide opad eller nedad, mens hovedbøjlen holdes på plads.
- D:3 Hovedbøjlen skal anbringes hen over toppen af hovedet, som vist, og skal bære vægten af headsettet.

Nakkebøjle

- D:4 Anbring ørekopperne hen over ørerne.
- D:5 Hold ørekopperne på plads, anbring isseremmen oven på hovedet, og lås den fast i denne position.
- D:6 Isseremmen skal ligge hen over toppen af hovedet.

E:1-E:2 Tilpasning af talemikrofon

For at maksimere talemikrofonens funktionalitet i støjfyldte omgivelser skal den befinde sig meget tæt på munden (under 3 mm eller 1/8").

BEMÆRK: Ved brug i store højder/luffart kan det omgivende tryk falde hurtigt og påvirke mikrofonens følsom, for eksempel når en helikopter stiger opad. Hvis dette er tilfældet, skal du anbringe mikrofonen nærmere eller tale højere for at øge lydtrykket på mikrofonens membran.

BRUGSANVISNING

Udskiftning af batterier (Fig. 1)

- 1-2. Fjern batteriholderens dæksel, og sæt batterierne i (2xAAA).
3. Batteripolerne skal svare til mærkningen i batteriholderen.
4. Dækslet skal skubbes hele vejen ned for at sikre tætsluttende lukning. Lavt batteriniveau markeres med en talemeddelelse "low battery" (lav batteristatus), der gentages.

Sådan tændes og slukkes headsettet (Fig. 2)

Tryk på [+] eller [-] knappen, og hold den inde i cirka 2 sekunder for at tænde eller slukke headsettet. En talemeddelelse vil bekræfte. Den senest benyttede indstilling gemmes altid, når headsettet slukkes.

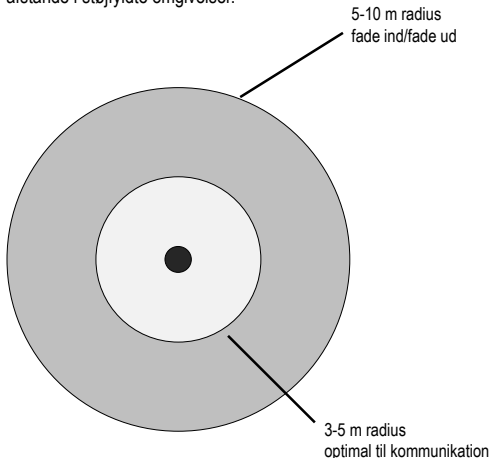
Headsettet slukker automatisk efter to timer uden aktivitet. Dette markeres af en talemeddelelse det sidste minut, inden headsettet slukker. Tryk på [+] eller [-] knappen for at genstarte 2-timersperioden.

Justering af lydstyrke (Fig. 3)

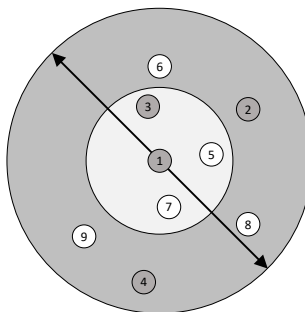
Tryk på [+] eller [-] for at justere lydstyrken for medhør/omgivelseslyd. Der er fire niveauintstillinger samt mulighed for at slå medhør/omgivelseslyd fra. De maksimale indstillinger bekræftes af et bip. En talemeddelelse bekræfter, når medhør/omgivelseslyd er blevet slået fra.

Ansigt til ansigt-kommunikation via NIB-teknologi

NIB muliggør ansigt til ansigt-kommunikation over korte afstande i støjfyldte omgivelser.



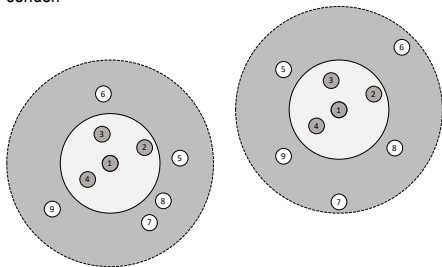
NIB-teknologi muliggør trådløs kommunikation inden for en radius af 10 m. Full duplex-kommunikation for op til fire personer inden for denne radius.



I støjfyldte omgivelser skal man bare være tæt nok på den person, man ønsker at tale med. NIB-teknologien vil fade blødt ind og ud (inden for en radius på 5-10 m) og muliggøre kommunikation med andre, der befinder sig i umiddelbar nærhed. Man skal forblive inden for en radius på 3-5 m for at få et optimalt kommunikationssignal.

Når de fire sendekanaler med fuld duplex er optaget (1-4), kan andre brugere stadig lytte, men ikke sende (5-9). Den øvre grænse for antal lyttere er begrænset til antallet af personer inden for en radius på 10 meter, snarere end af hvad teknologien tillader.

BEMÆRK: Hvis mere end fire brugere prøver at sende via NIB, vil fra og med den 5. bruger, der prøver at sende, høre bippelyde, som fortæller, at den udgående kommunikation ikke sender.



Hvilken NIB-gruppe du tilhører, afhænger af, hvor du og de andre NIB-headset befinder sig.

NIB træder i funktion, når lydniveauet i omgivelserne overskrider ca. 80 dB, og når lyden vedvarer i ca. 1 sekund.

NIB træder også i funktion ved lyd niveauer under 80 dB, hvis brugeren trykker på PTT i enten PTT-tilstand eller VOX-tilstand.

Aktivering af NIB (Fig. 7)

Hurtige dobbeltryk på PTT vil skifte mellem NIB PTT TÆNDT/ NIB SLUKKET/NIB VOX TÆNDT.

Trykker du på NIB PTT-knappen og holder den inde, kan du kommunikere inden for en radius på 10 m, når headsettet er i NIB VOX TÆNDT-tilstand eller i NIB PTT TÆNDT-tilstand.

NIB VOX TÆNDT – I denne tilstand vil høje støjniveauer aktivere NIB-radioen og muliggøre VOX-kommunikation for op til fire brugere. Trykker du på PTT-knappen i VOX TÆNDT-tilstand kan man også kommunikere i stille omgivelser.

Når headsettet benyttes i et miljø med periodisk støj, kan støjen gentage aktiveringen af NIB VOX. I denne situation kan du benytte tilstanden NIB PTT TÆNDT.

NIB PTT TÆNDT – I denne tilstand skal du trykke på PTT-knappen for at sende.

NIB SLUKKET – Denne tilstand SLUKKER for NIB-radioen. I NIB SLUKKET sendes der ingen RF-signaler fra NIB-radioen.

Push-to-talk for NIB (Fig. 8)

Tryk på PTT på venstre ørekop, og hold den inde, for at sende til NIB.

Gå ind i menuen (Fig. 4)

1. Tryk på [+] og [-] knappen og hold den inde for at komme til menuen. En talemeddelelse vil bekræfte.
2. Tryk kortvarigt på [-] knappen for at bevæge dig gennem menuen. Menutrinene er oplistet nedenfor.
3. Benyt [+] knappen til at ændre indstillingen og, hvis det er aktuelt, til at skifte mellem de tilgængelige indstillinger. En talemeddelelse bekræfter de enkelte trin, efterfulgt af den aktuelle indstilling. Ændringer bekræftes også af en

talemeddelelse. Efter et par sekunder uden aktivitet returnerer menuen til lydstyrke-tilstand. Ved at trykke på [+] og [-] kommer man direkte til lydstyrkeindstillingen fra alle trin i menuen.

Ambient/Environmental listening mode (Medhør/ omgivelleslyd-tilstand)

Medhør/omgivelleslyd-tilstanden findes i en klassisk tilstand og en avanceret tilstand. Klassisk tilstand gør det muligt at justere lydstyrke i fire trin ved at skrue op eller ned for lydniveauet for medhør/omgivelleslyd. Avanceret tilstand omfatter fire forudindstillede indstillinger, optimeret til forskellige lydprofiler.

Indstilling	Anvendelsesområde
Avanceret tilstand 1 (Komfort)	Til behageligt lydniveau i et meget støjfyldt miljø.
Avanceret tilstand 2 (Samtale)	Til en naturlig lydoplevelse hvor beskyttelse mod pludselige lyde er påkrævet.
Avanceret tilstand 3 (Kontrollering)	Til høj grad af situationsopmærksomhed ved kontrollering i et miljø med lavt støjniveau.
Avanceret tilstand 4 (Overvågning)	Til intens situationsopmærksomhed i et stille miljø.

Battery (Batteri)

Vælg den type batteri, du benytter i headsettet, alkaliske eller genopladelige.

Wireless input (Trådløst input)

1. Følg brugsanvisningen for 3M™ PELTOR™ TEP-LOOP-* for at indstille halsslyngen.
2. Gå ind i headsettets menu for at justere det trådløse input og følsomheden, så disse svarer til den tilsluttede halsslynge. Vælg Off/Low/Medium/High (Slukket/Lav/Medium/Høj).
3. Juster lydstyrken i den eksterne radio, hvis der er behov for det.

BEMÆRK: Lydstyrken kan variere, afhængigt af afstanden mellem headsettet og halsslyngen.

Wired input (Input med ledning)

Juster inputtet og følsomheden, så det svarer til det ledningstilsluttede udstyr. Vælg Low/High (Lav/Høj).

Balance

Balanceindstillingen justerer volumenbalancen mellem højre og venstre øre. Der er syv niveauintstillinger: Center, Left 1, Left 2, Max left, Max right, Right 2, Right 1 (Centreret, Venstre 1, Venstre 2, Maks. venstre, Maks. højre, Højre 2, Højre 1).

Warning signals (Advarselssignaler)

Advarselssignalindstillingen slår advarselssignalerne "low battery" (lav batteristatus) og "automatic power off" (automatisk slukning) fra eller til. Når de er slået fra, kan ingen af disse advarselssignaler høres.

Automatic power off (automatisk slukning)

Indstillingen for automatisk slukning slår funktionen automatisk slukning fra eller til.

NIB frequency (NIB-frekvens)

For Nordamerika, Australien og New Zealand er frekvensen for NIB 915 MHz.

For Europa er frekvensen for NIB 864 MHz.

Valg af NIB-frekvens 864 MHz (EU) eller 915 MHz (NA, ANZ). Tryk på [+] for at vælge, og tryk på [+] og hold den inde, for at bekræfte dit valg.

BEMÆRK: Kontroller, at du benytter den godkendte frekvens for den region, du opholder dig i.

Factory reset (Fabriksindstilling)

Resetter alle menuindstillingerne til fabriksindstillingens værdier. Denne indstilling skal bekræftes ved at trykke på [+], når man hører talemmedelelsen "confirm factory reset" (bekræft reset til fabriksindstilling).

FEJLFINDING FOR NIB

Problem	Mulig årsag	Forslag
Headsettet bipper, når der sendes.	NIB-kanal optaget af fire personer.	Vent til der er ledig kapacitet.
Headsettet bipper, når der sendes.	Ingen andre headset inden for området.	Kontroller, at der er et andet headset i brug inden for området.
Kan ikke høre eller kommunikere med andre.	Du benytter ikke den rigtige NIB-frekvens for den region, du befinder dig i.	Vælg den rigtige NIB-frekvens i menuen. Se NIB-frekvens.
Kan ikke høre eller kommunikere med andre.	NIB er ikke aktiveret.	Skift mellem forskellige tilstande med PTT-knappen. Se Aktivering af NIB.

RENGØRING OG VEDLIGEHOLDELSE

Brug en klud, der er vredet op i varmt sæbevand, til at rengøre de ydre skaller, hovedbøjlen og tætningsringene med.

BEMÆRK: Høreværnet må IKKE nedsænkes i vand. Hvis høreværnet bliver vådt af regn eller sved, drejes ørekopperne udad, og tætningsringene og skumforet fjernes og skal tørre, før de sættes på igen. Tætningsringene og skumforets funktion kan blive forringet ved brug, og disse bør undersøges regelmæssigt for revner eller andre skader. Ved regelmæssig brug anbefaler 3M udskiftning af skumforet og tætningsringene mindst to gange om året for at bevare dæmpningen, hygiejnen og komforten. Hvis en tætningsring er beskadiget, bør den udskiftes. Se afsnittet om reservedele nedenfor.

FJERNELSE OG UDSKIFTNING AF TÆTNINGSRINGENE

F:1 Tætningsringen fjernes ved at lade fingeren glide ind under tætningsringens kant og trække tætningsringen vinkelret ud.

F:2 Fjern eksisterende før, og sæt nyt for i.

F:3 Anbring den ene side af tætningsringen i rillen på ørekoppen, og tryk derefter på den modsatte side, til tætningsringen klikker på plads.

PÅSÆTNING AF MIKROFONBESKYTTELSESTAPE

Benyt mikrofonværn HYM1000 til at beskytte talemikrofonarmen mod fugt og snavs.

Montering af mikrofonværn (Fig. G):

G:1 Klip 100 mm af mikrofonbeskyttelsestape af med en saks.

Fjern beskyttelsespapiret.

G:2 Anbring mikrofonen på den ene ende af tapen, som vist på figuren.

G:3 Fold beskyttelsestapen omkring mikrofonen, og tjek, at mikrofonen er dækket af tapen.

G:4 Tryk tapen fast for at forsegle den.

G:5 Mikrofonen er nu klar til brug.

RESERVEDELE OG TILBEHØR

3M™ PELTOR™ HY68 SV Hygiejnesæt
Udskifteligt hygiejnesæt. Bør udskiftes mindst to gange om året for at sikre konstant høj dæmpning, hygiejne og komfort.

3M™ PELTOR™ HY80-EU Hygiejnesæt til gel-tætningsringe

3M™ PELTOR™ HY100A Engangsværn
Engangsværn, der er nemt at anbringe på tætningsringene.

3M™ PELTOR™ MT73 Vandtæt mikrofon
Vandtæt dynamisk talemikrofon.

3M™ PELTOR™ M171/2 Vindværn til mikrofon

3M™ PELTOR™ HYM1000 Mikrofonværn
Fugt- og vindbestandig tape, der beskytter talemikrofonen.

3M™ PELTOR™ M60/2 Vindværn til omgivelsesmikrofoner

3M™ PELTOR™ HY450/1 Hovedpolstrøg
Til brug som tilpasning til sammenfoldelige hovedbøjler ved små størrelser.

3M™ PELTOR™ LR03NM Batteri AAA NiMH

GARANTI OG BEGRÆNSNING AF FORPLIGTELSE

GARANTI: I tilfælde af at et produkt fra 3M Personal Safety Division måtte have en materialedefekt, eller hvis udførelsen er defekt, eller hvis det ikke lever op til en afgivet garanti for et specifikt formål, er 3M kun forpligtet til efter 3M's skøn at tilbyde brugeren kompensation ved at reparere, erstatte eller refundere købsprisen af disse dele eller produkter, hvis brugeren inden for rimelig tid anmelder fejlen og kan dokumentere, at produktet har været opbevaret, vedligeholdt og benyttet i overensstemmelse med 3M's skriftlige brugsanvisning. MED

MINDRE DETTE ER I MODSTRID MED LOVGIVNINGEN, ER DENNE GARANTI EKSKLUSIV OG SIDESTILLET MED ALLE EKSPPLICITTE ELLER IMPLICITTE GARANTIER VEDR. SALGBARHED, EGNETHED TIL ET SPECIFIKT FORMÅL ELLER ANDRE KVALITETSGARANTIER ELLER SOM FØLGE AF EN HANDELSAFTALE, SÆDVANE ELLER HANDELSKUTYME MED UNDTAGELSE AF ADKOMST OG VED PATENTKRÆNKELSE. 3M har i henhold til denne garanti ingen forpligtelser i forbindelse med produkter, der ikke fungerer som følge af utilstrækkelig eller ukorrekt opbevaring, behandling eller vedligeholdelse, manglende overholdelse af produktanvisninger eller ændringer eller beskadigelse af produktet som følge af uheld, forsømmelighed eller misbrug.

BEGRÆNSNING AF FORPLIGTELSE: MED MINDRE DETTE ER I MODSTRID MED LOVGIVNINGEN, ER 3M UNDER INGEN OMSTÆNDIGHEDER ANSVARLIG FOR HVERKEN DIREKTE, INDIREKTE, SÆRLIGE, UTILSIGTEDE ELLER HERAF FØLGENDE TAB ELLER SKADER (HERUNDER TAB AF INDTÆGT), SOM MÅTTE SKYLDES DETTE PRODUKT, UANSET PÅSTÅET LOVPRAKSIS. DE HERI ANFØRTE RETTIGHEDER ER EKSKLUSIVE.

INGEN MODIFIKATIONER: Modifikationer af dette udstyr må ikke foretages uden skriftligt samtykke fra 3M Company. Uautoriserede modifikationer kan ophæve garantien og annullere brugerens autorisation til at betjene udstyret.

BEMÆRK:

- Pas på ikke at blande gamle og nye batterier.
- Pas på ikke at blande alkaliske, standard og genopladelige batterier.
- Følg de lokale regler for korrekt bortskaffelse af batterier.
- Brug kun AAA ikke genopladelige eller NiMH genopladelige (hvad der er relevant) batterier.

3M™ PELTOR™ ComTac™ VI NIB Headset MT20H682***N**

SISSEJUHATUS

Õnnitleme ja täname teid, et olete valinud 3M™ PELTOR™-i sidelahendused! Tere tulemast kaitsvate sidetoodete uue põlvkonna maailma!

KASUTUSOTSTARVE

Need 3M™ PELTOR™-i peakomplektid kaitsevad ohtliku müra taseme ja valjude helide eest, võimaldades kasutajat samal ajal ümbrus-/keskkonnamikrofonide kaudu kuulata ümbritsevad helid, ühendatud sideseadmeid ja suhelda ning kasutada pideva müra keskkonnas näost näkku suhtlemiseks integreeritud loomuliku sidekäitumise (Natural Interaction Behavior, NIB) tehnoloogiat. Kõik kasutajad peavad komplekti kuuluvat kasutussuunistes läbi lugema, neid mõistma ja tutvuma seadme kasutamisega.

TÄHTSI!

Enne kasutamist lugege läbi kogu selles juhendis toodud ohutusteave, veenduge, et olete sellest aru saanud, ning järgige seda. Hoidke juhend edaspidiseks kasutamiseks alles. Lisateabe saamiseks või küsimuste korral võtke ühendust ettevõtte 3M tehnilise teenindusega (kontakteebe leiate viimaselt leheküljelt).



HOIATUS

See kuulmiskaitsevahend aitab vähendada ohtliku müra ja muude valjude helide mõju. Väärkasutus või ohtlik müra rikkas keskkonnas kuulmiskaitsevahenditeta viibimine võib põhjustada kuulmiskadu või vigastusi. Lisateave nõuetekohase kasutamise kohta küsige töödejuhatajalt või lugege kasutusjuhendist või helistage selle saamiseks 3M-i tehnilisse teenindusse. Kui teie kuulmine tundub nürstuvat müraga (sh lasud tulirelvast) kokkupuutumise ajal või pärast seda või teil heliseb või sumiseb kõrvus või kahtlustate mis tahes muul põhjusel kuulmisprobleemi, lahkuge kohe müraohkest keskkonnast ja pöörduge arsti ja/või töödejuhataja poole.

Järgmiste suuniste eiramine võib põhjustada raske vigastuse või olla eluohtlik.

- Muusika või muu helisele kuulamine võib vähendada teie olukorrateadikkust ja võimet kuulda hoiatussignaale. Olge tähelepanelik ja reguleerige helitugevus madalaimale sobivale tasemele. Hoiatussignaalide kuuldavus konkreetsel töökohal võib olla pärsitud, kui toodet kasutatakse meelelahutuseks.
- Süttimis- ja plahvatusohuga seotud riskide vähendamiseks ärge kasutage toodet plahvatusohtlikus keskkonnas.

Järgmiste suuniste eiramine võib vähendada kõrvaklappide kaitseomadusi ja põhjustada kuulmiskadu.

- Uuringud viitavad, et kasutajateni võib jõuda pakendile märgitud summutusväärtus(t)est vähem müra vahendust, kuna sobivus, reguleerimisoskus ja eesmärk on kasutajate puhul erinevad. Nõu saamiseks selle kohta, kuidas silidil toodud väärtusi saavutada ja summutust hinnata, vaadake

kohalduvaid eeskirju. Lisaks soovitab 3M tungivalt proovida kuulmiskaitsevahendi sobivust.

- Veenduge, et kuulmiskaitsevahend oleks õigesti valitud, reguleeritud ja hooldatud ning istuks hästi. Seadme valesti kandmine vähendab selle tõhusust müra summutamisel. Õige kandmise suuniseid vaadake komplekti kuuluvat juhendist.
- Kontrollige kuulmiskaitsevahendit hoolikalt enne iga kasutuskorda. Kui seade on kahjustatud, asendage see kahjustamata kuulmiskaitsevahendiga või vältige müra rikkast keskkonda.
- Kui on vaja kasutada muid isikukaitsevahendeid (nt kaitseprillid, respiraatorid jne), valige sellised tooted, millel on painduvad ja õhukesed sangad või rihmad, et need puutuksid kõrvaklappi polstriga võimalikult vähe kokku. Eemaldage kõik ebavajalikud tegurid (juuksed, mütsid, ehted, kõrvaklapid, hügieenikatted jne), mis võivad kõrvaklappi polstri tihediga kokku puutudes vähendada kõrvaklappide kaitsevõimet.
- Ärge painutage pearihma ega kaelarihma ega muutke nende kuju ning veenduge, et kõrvaklapid püsiksid korralikult paigal.
- Kõrvaklappide ja eriti kõrvapolstrite kvaliteet võib kasutamise käigus halveneda ning seetõttu tuleb neid kontrollida sageli näiteks võimalike pragude või lekete suhtes. Regulaarsel kasutamisel vahetage kõrvapolstrid ja vahtmaterjalist voodrid vähemalt kaks korda aastas välja, et tagada pidev kaitse, hügieenilisus ja mugavus.
- Selle kuulmiskaitsevahendi elektrilise heliringi väljund võib ületada päevase helitaseme piirmäära. Reguleerige helitugevus madalaimale vastuvõetavale tasemele.
- Ülaltoodud nõuete mittejärgimisel halveneb kõrvaklappide kaitsevõime suurel määral.

EN 352 ohutusavaldused:

- Kuulmiskaitsevahendi tasemetundliku ahela väljund võib ületada välist helitaset.
- Hügieenikatete paigaldamine polstrile võib mõjutada kõrvaklappide heliisil omadusi.
- Jõudlus võib akukasutusega halveneda. Tavaliselt võimaldab kõrvaklappide aku kasutada seadet järjest umbes järgmise aja jooksul.
 - LDF ja NIB: 30 tundi
 - LDF: 50 tundi
- Teatud keemilised ained võivad tootele kahjulikult mõjuda. Lisateabe saamiseks pöörduge tootja poole.
- Need kõrvaklapid on väikese suurusega. Kõrvaklapid, mis vastavad standardile EN 352-1, on kas keskmise, väikese või suure suurusega. Keskmise suurusega kõrvaklapid sobivad enamikule kandjatest. Väikese või suure suurusega kõrvaklapid on mõeldud kandjatele, kellele keskmise suurusega kõrvaklapid ei sobi.
- Toode ei sobi kasutamiseks pideva madalsagedusmüraga keskkonnas.

ETTEVAATUST!

- Kui aku asendatakse valet tüüpi akuga, tekib plahvatusoht.
- Kasutage alati vaid tootele ette nähtud 3M-i varuosi. Voltitamata varuosi kasutades võite vähendada selle toote pakuvat kaitset.

MÄRKUS

- Nende kasutusjuhiste kohaselt kandmisel aitab see kuulmiskaitsevahend vähendada nii pideva müra (nt tööstuslik müra ning sõidukite ja lennukite müra) kui ka valju impulssmüra (nt tulirelvade lasud) mõju. Impulssmüra puhul on keeruline ennustada vajaliku ja/või tegeliku kuulmiskaitse ulatust. Tulirelva laskude korral mõjutavad seadme tõhusust relva tüüp, laskude arv, kuulmiskaitse õige valimine, kandmine, kasutamine ja hooldamine ning teised muutujad. Lisateavet kuulmise kaitsmise kohta impulssmüra puhul leiate aadressilt www.3M.com/hearing.
- Kõrvaklappidel on tasemetundlik summutusfunktsioon. Kandja peab kontrollima enne kasutamist, kas kõrvaklapid on töökorras. Defekti või tõrke ilmumisel peab kasutaja järgima tootja nõuandeid hoolduse ja aku vahetamise kohta.
- Nendel kõrvaklappidel on elektriline helisisend. Kandja peab kontrollima enne kasutamist, kas kõrvaklapid on töökorras. Kui tuvastatakse moonutus või töötõrge, peab kandja tutvuma tootja suunistega.
- Töötemperatuur: $-20\text{ }^{\circ}\text{C}$ ($-4\text{ }^{\circ}\text{F}$) kuni $55\text{ }^{\circ}\text{C}$ ($131\text{ }^{\circ}\text{F}$)
- Hoiustamistemperatuur: $-20\text{ }^{\circ}\text{C}$ ($-4\text{ }^{\circ}\text{F}$) kuni $55\text{ }^{\circ}\text{C}$ ($131\text{ }^{\circ}\text{F}$)
- Kuulmiskaitsevahendi kaal: MT20H682FB-**N** = 340 g, MT20H682BB-**N** = 313 g, MT20H682FB-**N** (HY80) = 379 g.
- Ladustusaeg: 5 aastat (v.a akud).

HEAKSKIIDUD

3M Svenska AB kinnitab, et raadioside vastab direktiivile 2014/53/EL ja muudele CE-märgistuse nõuete täitmiseks kohaldatavatele direktiividele. Lisaks kinnitab 3M Svenska AB, et PPE-tüüpi peakomplekt vastab määruse (EL) 2016/425 või direktiivi 89/686/EMÜ nõuetele.

Kohaldatavad seadusesätted leiate vastavusdeklaratsioonist aadressil www.3M.com/peltor/doc. Lisaks viitab vastavusdeklaratsioon, kui kohalduvad ka muud tüübikinnitused. Vastavusdeklaratsiooni hankimisel leidke tootenumber. Kõrvaklappide tootenumbri leiate ühe klapi põhjalt. Näide on toodud alloleval pildil.



Isikukaitsevahendeid auditeerib kord aastas (kui tegu on III kategooria toodetega) ja tüübi kiidab heaks Soome Töötervishoiu Instituut (Finnish Institute of Occupational Health), teavitatud asutus nr 0403, aadressiga Topeliuksenkatu 41 b, FI-00250 Helsinki, Soome. Toodet on testitud ja see on heaks kiidetud vastavalt standarditele EN 352-1:2002, EN 352-4:2001/A1:2005 ja EN 352-6:2002.

Vastavusdeklaratsiooni koopia ja direktiivides nõutava lisateabe saamiseks võite võtta ühendust ka 3M-iga riigis, kus toode osteti. Kontaktteabe leiate selle kasutusjuhendi viimastelt lehekülgedelt.



Toode sisaldab elektrilisi ja elektroonilisi komponente ning seda ei tohi kõrvaldada kasutuselt koos tavalise olmeprügiga. Tutvuge elektriliste ja elektrooniliste seadmete kasutuselt kõrvaldamist käsitlevate kohalike eeskirjadega.

LABORATOORNE SUMMUTUS

Summutushinnang (SNR) saadi väljalülitatud seadmega. Summutustabelite selgitus

Euroopa standard EN 352

Uuringud viitavad, et kasutajateni võib jõuda pakendile märgitud summutusväärtus(t)est vähem müravähendust, kuna sobivus, reguleerimisoskus ja eesmärk on kasutajate puhul erinevad. Nõu saamiseks selle kohta, kuidas sildid toodud väärtusi saavutada ja summutust hinnata, vaadake kohalduvaid eeskirju. Lisaks soovitat 3M tungivalt proovida kuulmiskaitsevahendi sobivust.

A:1 Sagedus (Hz)

A:2 Keskmise summutus (dB)

A:3 Standardhälve (dB)

A:4 Hinnanguline kaitseväärtus, APV (dB)

A:5

H = Hinnanguline kuulmiskaitse kõrgsageduslike helide puhul ($f \geq 2000\text{ Hz}$).

M = Hinnanguline kuulmiskaitse kesksageduslike helide puhul ($500\text{ Hz} < f < 2000\text{ Hz}$).

L = Hinnanguline kuulmiskaitse madalsageduslike helide puhul ($f \leq 500\text{ Hz}$).

A:6 Kriteeriumtase

H = Kõrgsagedusliku müra kriteeriumtase

M = Kesksagedusliku müra kriteeriumtase

L = Madalsagedusliku müra kriteeriumtase

A:7 Euroopa standard EN 352-6, välise helisisendi tasemed

A:8 Sisendsignaali tase U (mV, RMS)

A:9 Keskmise helirõhu tase (dB(A))

A:10 Helirõhu standardhälve (dB)

A:11 Sisendsignaali tase, mille korral keskmine pluss üks standardhälve võrdub 82 dB(A)

B) Austraalia/Uus-Meremaa standard AS/NZS 1270:2002

B:1 Testsagedused

B:2 Keskmise summutus

B:3 Standardhälve

B:4 Keskmise miinus standardhälve

KOMPONENDID

C:1 Kokkuklapitav paarihm

C:2 Klapi tugivars

C:3 Kahepunktliised kinnitused

C:4 Klapp

C:5 Akukate

C:6 Ümbritsevate/keskkonna helide kuulamise mikrofon

C:7 Summutuspolster

C:8 Kõrvapolster

C:9 Välisisendi kaabel (ainult teatud mudelitel)

- C:10 Kõnemikrofon (ainult teatud mudelitel)
 C:11 Kaelarihm
 C:12 Kõnemikrofoni sisend (J22) (ainult teatud mudelitel)
 C:13 Klahvistiku miinusnupp [-]
 C:14 Klahvistiku plussnupp [+]
 C:15 NIB PTT-nupp

PAIGALDUSJUHISED

Pearihm

- D:1 Libistage klapid välja ja kallutage nende ülemist osa väljapoole. Kaabel peab olema pearihmast väljas.
 D:2 Seadke klappide kõrgus mugavasse asendisse, hoides pearihma pea vastus ja libistades klappe üles või alla.
 D:3 Pearihm peaks jooksma üle pealae, nagu on joonisel näidatud, ja toetama peakomplekti raskust.

Kaelarihm

- D:4 Asetage klapid kõrvade peale.
 D:5 Hoidke klappe õiges asendis ning asetage pearihm üle pealae ja lukustage see tugevalt õigesse asendisse.
 D:6 Pearihm peab jooksma üle pealae.

E:1–E:2 Kõnemikrofoni paigaldamine

Kõnemikrofoni toimimise maksimeerimiseks mürarikastes kohtades paigutage mikrofon suule väga lähedale (< 3 mm või 1/8 tolli).

MÄRKUS. Kui kasutate toodet väga kõrgel / lennunduses, võib ümbrusrõhk kiiresti langeda, mõjutades mikrofoni tundlikkust (nt helikopteriga õhku tõusmisel). Sellisel juhul paigutage mikrofon lähemale ja/või rääkige valjemalt, et suurendada mikrofoni membraanile avaldatavat rõhku.

KASUTUSSUUNISED

Akude vahetamine (joonis 1)

- 1–2. Eemaldage akupesa katted ja sisestage akud (2 × AAA).
3. Akude polaarsus peab vastama akupesas olevale märgistusele.
4. Katted tuleb lõpuni alla suruda, et tagada korralik tihendus. Aku tühjenemisest annab märku korduv häälteade „low battery“ (aku on tühi).

Peakomplekti sisse- ja väljalülitamine (joonis 2)

Hoidke nuppu [+] või [-] umbes kaks sekundit all, et lülitada peakomplekt sisse või välja. Kõlab kinnitav häälteade. Peakomplekti väljalülitamisel salvestatakse alati kehtiv seadistus.

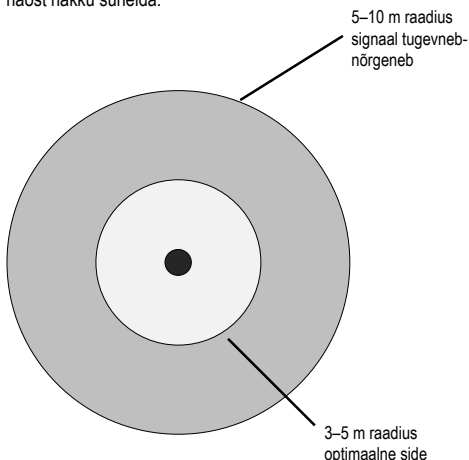
Kui peakomplekt seisab kaks tundi kasutuseta, lülitub see automaatselt välja. Sellest antakse viimasel minutil märku häälteatega, seejärel lülitub peakomplekt välja. Nuppude [+] või [-] vajutamine lähtestab kahetunnise taimer.

Helitugevuse reguleerimine (joonis 3)

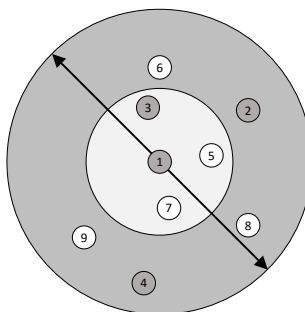
Ümbritsevate/keskkonna helide helitugevuse reguleerimiseks vajutage nuppu [+] või [-]. Võite kasutada nelja taseme sätteid või ümbritsevate/keskkonna helide kuulamise välja lülitada. Max sätete saavutamisel kuulate helisignaali. Ümbritsevate/keskkonna helide kuulamise välja lülitamist kinnitatakse häälteatega.

Näost näkku suhtlus NIB-tehnoloogia abil

NIB võimaldab kasutajatel lähiside abil mürarikas keskkonnas näost näkku suhelda.



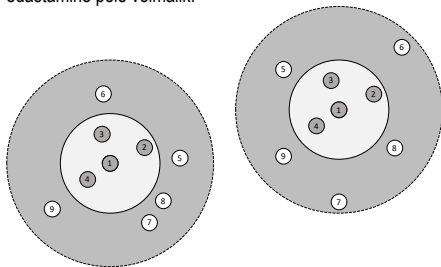
NIB-tehnoloogia võimaldab juhtmevaba sidepidamist 10 m raadiuses. Seade pakub selles alas duplekside võimalust kuni neljale inimesele.



Kõndige mürarikas keskkonnas lihtsalt selle inimese lähedale, kellega soovite vestelda. NIB-tehnoloogia signaal tugevneb ja nõrgeneb (5–10 m raadiuses), võimaldades sidepidamist lähedal asuvate inimestega. Optimaalse sidesignaali tagamiseks peaksite vestluskaaslasest paiknema 3–5 m kaugusel.

Kui kõik 4 dupleks-edastuskanalit on hõivatud (1–4), saavad teised kasutajad endiselt kuulata, kuid neil pole võimalik edastada (5–9). Max kuulajate arv sõltub sellest, kui palju mahub inimesi 10 m raadiusse, mitte tehnoloogilistest piiridest.

MÄRKUS. Kui enam kui 4 kasutajat üritab NIB-tehnoloogia vahendusel edastada, kuulevad kasutajad 5. kasutajast alates helisignaale, mis annab märku sellest, et väljuva side edastamine pole võimalik.



See, millisesse NIB-rühma kuulute, sõltub teie ja teiste NIB-peakomplektide asukohast.

NIB töötab siis, kui keskkonna müratase ületab umbes 80 dB ja kui müra püsib vähemalt 1 sekundi.

NIB töötab ka mürataseme väärtusel alla 80 dB, kui kasutaja vajutab kas PTT-režiimis või VOX-režiimis PTT-nuppu.

NIB-funktsiooni aktiveerimine (joonis 7)

PTT-nuppu kiiresti topeltvajutades vahetate valikuid NIB PTT ON/NIB OFF/NIB VOX ON.

Režiimis NIB VOX ON ja NIB PTT ON saate NIB-funktsiooni PTT-nuppu all hoides suhelda 10 m raadiuses.

NIB VOX ON – selles režiimis aktiveerib kõrge müratase NIB-raadio ja võimaldab VOX-sidet kuni nelja kasutaja vahel. Kui vajutate VOX ON-režiimis PTT-nuppu, saate sidet pidada vaikus.

Kui peakomplekt töötab hootise müraga keskkonnas, võib müra NIB VOX-i korduvalt aktiveerida. Sellises olukorras võite kasutada režiimi NIB PTT ON.

NIB PTT ON – selles režiimis tuleb edastamiseks vajutada PTT-nuppu.

NIB OFF – see režiim LÜLITAB VÄLJA NIB-raadio.
NIB OFF-režiimis ei edasta NIB-raadio raadiosagedussignaale.

NIB-funktsiooni kõnenupp (joonis 8)

NIB-funktsioonis edastamiseks hoidke all vasaku klapi PTT-nuppu.

Menüü avamine (joonis 4)

1. Menüüsse sisnemiseks hoidke all nuppe [+] ja [-]. Kõlab kinnitav häälteade.
2. Menüüs liikumiseks vajutage korraks nuppu [-]. Menüü sammud on järgmised.
3. Kasutage sätte muutmiseks ja võimalike sätete vahel liikumiseks nuppu [+]. Iga menüüs tehtud samm kinnitatakse

häälteatega, millele järgneb kehtiv säte. Muudatused kinnitatakse samuti häälteatega. Kui paari sekundi jooksul ei tehta midagi, naaseb menüü helitugevuse režiimi. Vajutades nuppe [+] ja [-], saate siseneda mis tahes menüütasemelt kohe helitugevuse seadistamise režiimi.

Ambient/Environmental listening mode (Ümbritsevate/keskkonna helide kuulamise režiim)

Ümbritsevate/keskkonna helide kuulamise režiim on saadaval klassikalise ja täpsema režiimina. Klassikaline režiim võimaldab teil reguleerida helitugevust nelja sammuga, tõeses või langetades ümbritsevate/keskkonna helide kuulamise helitaset. Täpsem režiim sisaldab nelja eelsätet, mis on optimeeritud erinevatele heliprofiilidele.

Säte	Kasutusotstarve
Täpsem režiim 1 (Mugav)	Muudab väga müraikas keskkonnas töötamise mugavamaks.
Täpsem režiim 2 (Vestus)	Loomuliku helikogemuse tagamiseks siis, kui vajate kaitset äkilise müra eest.
Täpsem režiim 3 (Patrullimine)	Übruse tõhusaks jälgimiseks madala müratasemega keskkonnas.
Täpsem režiim 4 (Järelevalve)	Übruse ülitõhusaks jälgimiseks vaikes keskkonnas.

Battery (patareil/aku)

Valige teie peakomplektis kasutatava aku/patarei tüüp: leelispatareil või aku.

Wireless Input (juhtmevaba sisend)

1. Kaelarihma seadistamiseks järgige toote 3M™ PELTOR™ TEP-LOOP.* kasutusjuhendit.
2. Sisenege peakomplekti menüüsse, kui soovite reguleerida juhtmevaba sisendit ja tundlikkust nii, et need vastaksid ühendatud kaelarihmale. Valige Off/Low/Medium/High (väljas/madal/keskmine/kõrge).
3. Vajaduse korral reguleerige välise raadio helitugevust.

MÄRKUS. Helitugevus võib sõltuda peakomplekti ja kaelarihma vahekaugusest.

Wired Input (juhtmega sisend)

Reguleerige juhtmega sisendit ja tundlikkust, et need vastaksid ühendatud seadmele. Valige Low/High (madal/kõrge).

Balance (tasakaal)

Tasakaalu säte reguleerib helitugevuse tasakaalu parema ja vasaku kõrva vahel. Funktsioonil on seitse erinevat taset: Center (keskel), Left 1 (vasak 1), Left 2 (vasak 2), Max left (max vasak), Max right (max parem), Right 2 (parem 2), Right 1 (parem 1).

Warning signals (hoiatussignaalid)

Hoiatussignaalide säte keelab/lubab hoiatussignaalid „low battery“ (aku on peaaegu tühi) ja „automatic power off“ (toite

automaatne väljalülitamine). Kui see on välja lülitatud, ei kõla ühtegi hoiatussignaali.

Automatic power off (toite automaatne väljalülitamine)

Toite automaatse väljalülitamise säte keelab/lubab toite automaatse väljalülitamise funktsiooni.

NIB frequency (NIB-funktsiooni sagedus)

Põhja-Ameerikas, Austraalias ja Uus-Meremaal on NIB-funktsiooni sagedus 915 Mhz.

Euroopas on NIB-funktsiooni sagedus 864 Mhz.

Valige NIB-funktsiooni sagedus 864 Mhz (EL) või 915 Mhz (P-Am. Uus-M.). Kasutage valimiseks nuppu [+]; valiku kinnitamiseks hoidke all nuppu [+].

MÄRKUS. Veenduge, et kasutate õige piirkonna heakskiidetud sagedust.

Factory reset (tehasesätete taastamine)

Lähtestab kõik menüüsätted tehase vaikeväärtustele. Selle sätte kinnitamiseks tuleb vajutada nuppu [+], kui kõlab häälteade „confirm factory reset“ (kinnita tehasesätete taastamine).

NIB-FUNKTSIOONI VEAOTSING

Probleem	Võimalikud põhjused	Soovitus
Peakomplekt toob edastamise ajal kuuldavale helisignaali.	NIB-kanal on nelja kasutajaga hõivatud.	Oodake vaba kohta.
Peakomplekt toob edastamise ajal kuuldavale helisignaali.	Seadme levialas pole teisi peakomplekte.	Veenduge, et seadme levialas on kasutusel ka mõni teine peakomplekt.
Ei kuule või ei saa teistega suhelda.	Kasutate NIB-sagedust, mis pole teie piirkonnas kasutamiseks sobiv.	Valige menüüst õige NIB-sagedus. Vt jaotist „NIB frequency (NIB-funktsiooni sagedus)“.
Ei kuule või ei saa teistega suhelda.	NIB-funktsioon pole aktiveeritud.	Kasutage režiimide vahetamiseks PTT-nuppu. Vt jaotist „NIB-funktsiooni aktiveerimine“.

PUHASTAMINE JA HOOLDUS

Kasutage kõrvaklappide välispinna, pearihja ja kõrvapolstrite puhastamiseks soojas seebivees niisutatud lappi.

MÄRKUS. ÄRGE kastke kuulmiskaitset vette! Kui kuulmiskaitse saab vihma või higi tõttu märjaks, keerake kõrvaklapid

väljapoole, eemaldage kõrvapolstrid ja vahtmaterjalist vooder ning laske neil enne uuesti kokkupanekut kuivada. Kõrvapolstrite ja vahtmaterjalist voodrite kvaliteet võib kasutamise käigus halveneda ja seetõttu tuleb neid võimalike pragude või muude kahjustuste suhtes sageli kontrollida. Regulaarsel kasutamisel soovib 3M vahtmaterjalist voodrid ja kõrvapolstrid vähemalt kaks korda aastas välja vahetada, et tagada pidev summutus, hügieenilisus ja mugavus. Kui kõrvapolster saab kahjustada, tuleb see välja vahetada. Vt allpool varuosade jaotist.

KÕRVAPOLSTRITE EEMALDAMINE JA VÄLJA VAHETAMINE

F:1 Kõrvapolstri eemaldamiseks libistage sõrmed kõrvapolstri siseseerva alla ja tõmmake tugevalt otse väljapoole.

F:2 Eemaldage olemasolevad voodrid ja sisestage uued vahtmaterjalist voodrid.

F:3 Seadke kõrvapolstri üks külg kõrvaklapi soonde ja vajutage teist külge, kuni kõrvapolster klõpsab paika.

MIKROFONI KAITSETEIBI KASUTAMINE

Kõnemikrofoni niiskuse ja mustuse eest kaitsmiseks kasutage mikrofonikaitset HYM1000.

Kaitse paigaldamiseks (joonis G) toimige järgmiselt.

G:1 Lõigake kääride abil välja 100 mm tükk mikrofoni kaitseteipi. Eemaldage kaitsepaber.

G:2 Asetage mikrofon teibi ühte otsa, nagu joonisel näidatud.

G:3 Mähkige kaitseteip ettevaatlikult mikrofoni ümber.

G:4 Veenduge, et kaitseteip on tihedalt ümber mikrofoni.

G:5 Mikrofon on nüüd kasutamiseks valmis.

VARUOSAD JA TARVIKUD

3M™ PELTOR™ HY68 SV hügieenikomplekt
Vahetata hügieenikomplekt. Püsiva summutuse, hügieenilisuse ja mugavuse tagamiseks vahetage vähemalt kaks korda aastas.

3M™ PELTOR™ HY80-EU geelpadjaga hügieenikomplekt

3M™ PELTOR™ HY100A ühekordsed kaitsem
Ühekordseks kasutamiseks mõeldud kaitsem, mida on lihtne kõrvapolstritele paigaldada.

3M™ PELTOR™ MT73 veekindel mikrofon
Veekindel dünaamiline kõnemikrofon.

3M™ PELTOR™ M171/2 mikrofoni tuulekate

3M™ PELTOR™ HYM1000 mikrofonikaitse
Niiskus- ja tuulekindel teip, mis kaitseb kõnemikrofoni.

3M™ PELTOR™ M60/2 tuulekaitse ümbruskõnemonidele

3M™ PELTOR™ HY450/1 peapolster
Kasutamiseks kokkuklapitavate pearihmade väikese reguleerimisvahemiku korral.

3M™ PELTOR™ LR03NM AAA-tüüpi NiMH-aku

GARANTII JA VASTUTUSE PIIRANG

GARANTII: juhul kui 3M-i isikuohutusosakonna mis tahes tootel esineb materjali- või tootmisdefekte või see ei vasta ettenähtud otstarbele mis tahes selgesõnalise garantii raames, on 3M-i ainsaks kohustuseks ja teile ainsaks hüvitiseks 3M-i valikul selliste osade või toodete parandamine, asendamine või ostuhinna tagasimaksmine, kui olete probleemist õigeaegselt teavitanud ning tõestate, et toodet on hoitud, hooldatud ja kasutatud 3M-i kirjalikke suuniseid järgides. VÄLJA ARVATUD JUHUL, KUI SEE ON SEADUSEGA KEELATUD, ON TEGEMIST AINUGARANTIIGA, MIS ASENDAB KÕIKI SELGESÕNALISI VÕI KAUDSEID GARANTIISID SEOSSES KAUBASTATAVUSE, TEATUD OTSTARBEKS SOBIVUSE VÕI MUUDE KVALITEEDIGARANTIIDEGA VÕI GARANTIIDEGA, MIS TEKIVAD KAUPLEMISE VÕI KAUBANDUSTEGEVUSE KÄIGUS, VÄLJA ARVATUD VALDUSÕIGUS JA PATENDIÕIGUSTE RIKKUMINE. 3M ei vastuta selle garantii raames toodete eest, mille kahjustus on tekkinud ebapiisavate või valede hoiustamistingimuste, vale käitlemise või hooldamise või suuniste eiramise tõttu või toote õnnetusest, hooletusest või väärkasutusest tingitud muudatuste või kahjustuste tõttu.

VASTUTUSE PIIRANG: VÄLJA ARVATUD JUHUL, KUI SEE ON SEADUSEGA KEELATUD, EI VASTUTA 3M MINGISUGUSTEL ASJAOLUDEL ÜHEGI OTSESE, KAUDSE, SPETSIIFILISE, JUHUSLIKU VÕI KAASNEVA KAHJU EEST (SH KAOTATUD KASUM), MIS ON TINGITUD SELLEST TOOTEST, SÕLTUMATA ÕIGUSTEADUSLIKEST VÄIDETEST. KÄESOLEVAGA SÄTESTATUD HÜVITISED ON EKSKLUSIIVSED.

MODIFITSEERIMINE ON KEELATUD. Seda seadet ei tohi ilma ettevõtte 3M kirjaliku nõusolekuta modifitseerida. Lubamatu modifitseerimine võib muuta garantii ja kasutaja õiguse seadet kasutada kehtetuks.

MÄRKUS.

- Ärge kasutage korraga uusi ja vanu patareisid.
- Ärge kasutage korraga leelis- või standardpatareisid ja laetavaid akusid.
- Patarei/aku õigesti kasutuselt kõrvaldamiseks järgige kohalikke tahkete jätmete kasutuselt kõrvaldamise eeskirju.
- Kasutage ainult AAA-tüüpi mittelaetavaid patareisid või NiMH-akusid (kui on kohaldatav).

3M™ PELTOR™ ComTac™ VI NIB Headset MT20H682**.*N**

INTRODUCCIÓN

¡Felicidades y gracias por elegir soluciones de comunicación 3M™ PELTOR™! ¡Bienvenido a la siguiente generación de comunicación protectora!

USO PREVISTO

Esta orejera 3M™ PELTOR™ tiene por objeto proporcionar protección contra niveles de ruido dañinos y sonidos fuertes, al mismo tiempo que permite al usuario escuchar el entorno con micrófonos ambientales, escuchar dispositivos de comunicación conectados y la comunicación directa con tecnología NIB (Natural Interaction Behaviour = comportamiento de interacción natural) en niveles altos de ruido de régimen permanente. Todos los usuarios deben leer y comprender las instrucciones de empleo proporcionadas y estar familiarizados con el uso de este aparato.

¡IMPORTANTE!

Antes de usar el aparato, el usuario debe leer, comprender y observar toda la información de seguridad de estas instrucciones. Conservar estas instrucciones para referencia futura. Para más información y consultas, contactar con el servicio técnico de 3M (los datos de contacto están en la última página).



¡ADVERTENCIA!

Este protector auditivo ayuda a reducir la exposición a ruido peligroso y otros sonidos fuertes. Si los protectores auditivos se usan incorrectamente o si no se usan siempre que se está expuesto a ruido peligroso, existe riesgo de pérdida auditiva o lesiones en el oído. Para el uso correcto, consultar con el supervisor, el manual de instrucciones, o llamar al servicio técnico de 3M. Si el oído parece atenuado o si se oye un pitido o zumbido durante o después de la exposición al ruido (incluso disparos), o si por cualquier otro motivo se sospecha la existencia de un problema auditivo, abandonar inmediatamente el lugar ruidoso y consultar a un médico y/o al supervisor.

La inobservancia de estas instrucciones comporta riesgo de daños personales y peligro de muerte:

- La escucha de música u otra comunicación de audio puede reducir la percepción de la situación y la capacidad de escuchar señales de advertencia. Permanecer alerta y regular el volumen de audio al nivel más bajo aceptable. El uso de la función de entretenimiento puede hacer que empeore la audibilidad de señales de advertencia en un lugar de trabajo específico.
- Para reducir los riesgos de incendio y explosión, no usar este producto en atmósferas potencialmente explosivas.

La inobservancia de estas instrucciones puede reducir la protección proporcionada por las orejeras y comporta riesgo de pérdida auditiva:

- Las investigaciones indican que muchos usuarios pueden obtener una reducción sonora muy inferior a la indicada por el/los valores de atenuación del envase: ello se debe a

variaciones en encaje, habilidad de colocación y motivación de los usuarios. Consultar la normativa aplicable para guía sobre el ajuste de valores nominales y para estimar la atenuación. Además, 3M recomienda encarecidamente probar el encaje de los protectores auditivos.

- Asegurar que el protector auditivo se selecciona, encaja, ajusta y mantiene correctamente. Un encaje inadecuado de este aparato reducirá su eficacia atenuadora de ruido. Consultar las instrucciones adjuntas para un encaje adecuado.
- Inspeccionar el producto cuidadosamente antes de cada uso. Si el protector auditivo se daña, elegir un protector auditivo en perfecto estado o evitar el entorno ruidoso.
- Cuando es necesario usar equipo de protección individual adicional (p.ej., gafas protectoras, máscaras respiratorias, etc.), usar patillas o cintas flexibles de perfil bajo para minimizar la interferencia con el aro de sellado de la orejera. Quitar todos los artículos innecesarios (p.ej., cabello, sombrero, joyas, auriculares, cubiertas higiénicas, etc.) que puedan interferir con el sello del aro de sellado de la orejera y reducir la protección de la misma.
- No doblar ni cambiar la forma de la diadema o la cinta de nuca, y asegurar que haya fuerza suficiente para retener la orejera firmemente colocada.
- La orejera, y especialmente los aros de sellado, pueden deteriorarse con el uso y deben revisarse con frecuencia para ver si tienen grietas y fugas, por ejemplo. Cuando la orejera se usa regularmente, cambiar los revestimientos de espuma y los aros de sellado por lo menos dos veces al año para mantener una atenuación, higiene y confort constantes.
- La salida del circuito de audio eléctrico de este protector auditivo puede exceder el nivel sonoro límite diario. Regular el volumen de audio al nivel más bajo aceptable.
- Si no se siguen estas recomendaciones, la protección de la orejera puede resultar gravemente perjudicada.

EN 352 Declaraciones de seguridad:

- La salida del circuito dependiente de nivel de este protector auditivo puede exceder el nivel sonoro externo.
- La colocación de cubiertas higiénicas sobre los aros de sellado puede afectar al rendimiento acústico de la orejera.
- El rendimiento puede empeorar al descargarse las pilas. El tiempo de uso continuo típico que se puede esperar de las pilas de la orejera es de aproximadamente:
 - LDF y NIB: 30 horas
 - LDF: 50 horas
- Algunas sustancias químicas pueden afectar negativamente a este producto. Para más información al respecto, consultar con el fabricante.
- Esta orejera es de talla pequeña. Las orejeras que cumplen con la norma EN 352-1 son de talla "mediana", "pequeña" o "grande". Las orejeras de tamaño mediano se adaptan a la mayoría de usuarios. Las orejeras de talla "pequeña" o "grande" están diseñadas para usuarios para los que no es adecuada la orejera de talla mediana.
- El producto no es adecuado para niveles altos continuos de ruido de baja frecuencia.

PRECAUCIÓN:

- Riesgo de explosión si las pilas se sustituyen por unas de tipo incorrecto.

- Usar siempre repuestos 3M específicos de producto. El uso de repuestos no autorizados puede reducir la protección que proporciona este producto.

NOTA:

- Este protector auditivo, cuando se usa según el manual de instrucciones, ayuda a reducir la exposición a ruidos continuos como ruidos industriales, ruido de vehículos y aviones, y ruidos impulsivos fuertes como disparos. Es difícil pronosticar la protección auditiva necesaria y/o real obtenida durante la exposición a ruidos impulsivos. Para el ruido de disparo, afectan al rendimiento factores como el tipo de arma, el número de tiros, la selección correcta, la colocación y uso de protector auditivo, el cuidado adecuado del protector auditivo y otras variables. Para más información sobre protección auditiva contra ruido impulsivo, visitar www.3M.com/hearing.
- Esta orejera tiene atenuación dependiente de nivel. El usuario debe comprobar que funciona correctamente antes de usarlo. Si se detecta distorsión o mal funcionamiento, el usuario debe seguir los consejos del fabricante en lo referente al mantenimiento y cambio de las pilas.
- Esta orejera tiene entrada de audio eléctrica. El usuario debe comprobar que funciona correctamente antes de usarlo. Si se detecta distorsión o fallo, el usuario debe seguir las instrucciones del fabricante.
- Intervalo de temperaturas de funcionamiento: Entre $-20\text{ }^{\circ}\text{C}$ y $55\text{ }^{\circ}\text{C}$
- Intervalo de temperaturas de almacenaje: Entre $-20\text{ }^{\circ}\text{C}$ y $55\text{ }^{\circ}\text{C}$
- Peso del protector auditivo: MT20H682FB-**N** = 340 g, MT20H682BB-**N** = 313 g, MT20H682FB-**N** (HY80) = 379 g.
- Tiempo de caducidad: 5 años exepcto las pilas.

HOMOLOGACIONES

3M Svenska AB declara por la presente que la comunicación por radio cumple con las disposiciones de la Directiva 2014/53/UE y otras directivas pertinentes para cumplir con los requisitos para el marcado CE. 3M Svenska AB declara también que la orejera tipo PPI cumple con las disposiciones del reglamento (UE) 2016/425 o la Directiva 89/686/CEE.

La legislación aplicable puede determinarse consultando la declaración de conformidad en www.3M.com/peltor/doc. La declaración de conformidad indicará también si son aplicables otras homologaciones de tipo. Para recuperar la declaración de conformidad, buscar la referencia pertinente. La referencia de las orejeras está en el fondo de una cazoleta. Ver el ejemplo en la imagen abajo.



Este producto EPI es auditado anualmente (productos de categoría III) y recibe la aprobación de tipo del Finnish Institute of Occupational Health, organismo notificado número 0403,

Topeliuksenkatu 41 b, FI-00250 Helsinki, Finlandia. El producto ha sido probado y homologado de conformidad con las normas EN 352-1:2002, EN 352-4:2001/A1:2005 y EN 352-6:2002.

Para obtener una copia de la declaración de conformidad e información adicional necesaria, ponerse en contacto con 3M en el país de compra. Los datos de contacto están en las últimas páginas de este manual de instrucciones.



Este producto tiene componentes eléctricos y electrónicos y no se debe desechar en el sistema normal de recolección de basuras. Ver la normativa local en materia de eliminación de equipos eléctricos y electrónicos.

ATENUACIÓN EN LABORATORIO

El valor de reducción de ruido (SNR) se ha obtenido con el aparato apagado. Explicación de las tablas de atenuación:

Norma europea EN 352

Las investigaciones indican que muchos usuarios pueden obtener una reducción sonora muy inferior a la indicada por el/los valores de atenuación del envase: ello se debe a variaciones en encaje, habilidad de colocación y motivación de los usuarios. Consultar la normativa aplicable para guía sobre el ajuste de valores nominales y para estimar la atenuación. Además, 3M recomienda encarecidamente probar el encaje de los protectores auditivos.

- A:1 Frecuencia (Hz)
- A:2 Atenuación media (dB)
- A:3 Desviación normal (dB)
- A:4 Valor de protección supuesto, APV (dB)
- A:5

H = Estimación de protección auditiva para sonidos de frecuencia alta ($f \geq 2.000\text{ Hz}$).

M = Estimación de protección auditiva para sonidos de frecuencia media ($500\text{ Hz} < f < 2.000\text{ Hz}$).

L = Estimación de protección auditiva para sonidos de frecuencia baja ($f \leq 500\text{ Hz}$).

A:6 Nivel de significación

H = Nivel de significación para ruido de frecuencia alta

M = Nivel de significación para ruido de frecuencia media

L = Nivel de significación para ruido de frecuencia baja

A:7 Norma europea EN 352-6 Niveles de entrada de audio externa

- A:8 Nivel de señal de entrada U (mV, RMS)
- A:9 Nivel de presión acústica media (dB(A))
- A:10 Desviación normal de la presión acústica (dB)
- A:11 Nivel de señal de entrada para el que el nivel medio más una desviación estándar es igual a 82 dB(A)

B) Norma Australia/New Zealand AS/NZS 1270:2002

- B:1 Frecuencias de prueba
- B:2 Atenuación media, Mean att
- B:3 Desviación normal, St dev
- B:4 Media menos desviación normal

COMPONENTES

- C:1 Diadema plegable
- C:2 Brazo de soporte de cazoleta
- C:3 Fijaciones de dos puntos
- C:4 Cazoleta
- C:5 Tapa de pilas
- C:6 Micrófono ambiental/escucha ambiental
- C:7 Almohadilla amortiguadora
- C:8 Aro de sellado
- C:9 Cable de entrada externa (sólo en modelos específicos)
- C:10 Micrófono de habla (sólo en modelos específicos)
- C:11 Cinta de nuca
- C:12 Entrada de micrófono de habla (J22) (sólo en modelos específicos)
- C:13 Botón [-] en teclado
- C:14 Botón [+] en teclado
- C:15 Botón de NIB, pulsar para hablar

INSTRUCCIONES DE COLOCACIÓN

Diadema

- D:1 Deslizar las cazoletas e inclinar hacia fuera la parte superior de la carcasa para que el cable quede en el exterior de la diadema.
- D:2 Ajustar la altura de las cazoletas, moviéndolas hacia arriba y abajo, manteniendo inmóvil la diadema.
- D:3 La diadema debe atravesar la parte superior de la cabeza, tal como se muestra, y aguantar el peso de la orejera.

Cinta de nuca

- D:4 Colocar las cazoletas sobre las orejas.
- D:5 Mantener las cazoletas en posición. Colocar la banda sobre la cabeza y fijarla ceñida en esta posición.
- D:6 La banda debe atravesar la parte superior de la cabeza.

E:1-E:2 Colocación del micrófono de habla

Para maximizar el rendimiento del micrófono de habla en sitios ruidosos, colocarlo muy cerca de la boca (a menos de 3 mm).

NOTA: Cuando el aparato se usa a grandes altitudes/en aviación, la presión ambiental puede disminuir rápidamente y afectar a la sensibilidad del micrófono; por ejemplo, durante el ascenso de helicópteros. Si ocurre esto, acercar más el micrófono y/o hablar más alto para aumentar la presión en la membrana del micrófono.

INSTRUCCIONES DE MANEJO

Cambio de las pilas (figura 1)

- 1-2. Quitar las tapas de compartimento de pilas e insertar las pilas (2 x AAA).
- 3. La polaridad de las pilas debe corresponder a la marca en el compartimento de las mismas.
- 4. Las tapas deben presionarse completamente hacia abajo para garantizar un buen sellado. El nivel de carga baja de las pilas es indicado por el mensaje de voz "low battery" (pilas descargadas), repetidamente.

Encendido y apagado de la orejera (figura 2)

Para encender y apagar la orejera, mantener pulsado el botón [+] o [-] durante dos segundos aproximadamente. Un mensaje de voz confirma. El ajuste actual se guarda siempre cuando se apaga la orejera.

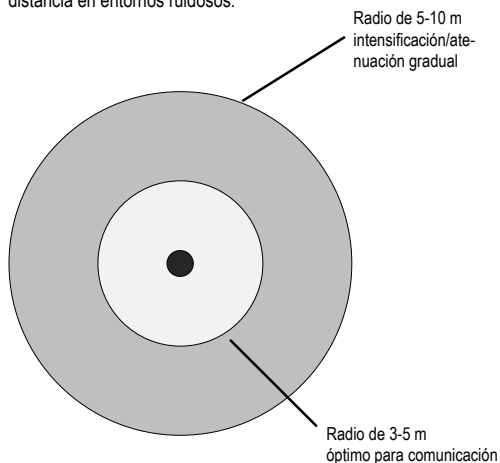
La orejera se apaga automáticamente después de dos horas de inactividad. Esto es indicado por un mensaje de voz durante el último minuto antes de que se apague la orejera. El temporizador de dos horas se restablece pulsando el botón [+] o [-].

Regulación del volumen (figura 3)

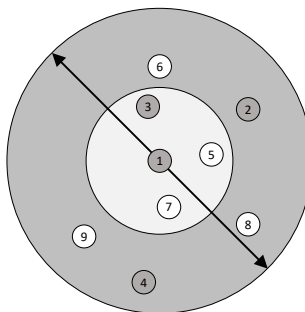
Pulsar [+] o [-] para regular el volumen de escucha ambiental. Hay cuatro ajustes de nivel y también es posible desactivar la escucha ambiental. Los ajustes máximos se confirman con una señal sonora. La desactivación de la escucha ambiental se confirma con un mensaje de voz.

Comunicación directa con tecnología NIB (Natural Interaction Behaviour = comportamiento de interacción natural)

La tecnología NIB permite la comunicación directa a poca distancia en entornos ruidosos.



También permite la comunicación inalámbrica en un radio de 10 m. Comunicación bidireccional simultánea de hasta cuatro personas dentro de este perímetro.

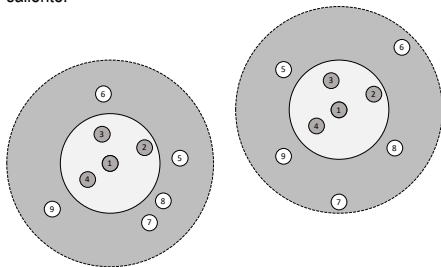


En entornos ruidosos, basta con acercarse a la persona con quien se quiere hablar. La tecnología NIB intensificará y atenuará gradualmente (en un radio de 5-10 m) para permitir la comunicación entre personas cercanas. Para una señal de

comunicación óptima, los usuarios deben estar dentro de un radio de 3-5 m.

Cuando están ocupados los cuatro canales de transmisión bidireccional simultánea (1-4), otros usuarios pueden escuchar pero no transmitir (5-9). El límite superior de oyentes no está limitado por la tecnología, sino por el número de personas presentes dentro del radio de 10 m.

NOTA: Cuando más de cuatro usuarios intentan transmitir por NIB, otros usuarios que intenten transmitir oirán señales acústicas indicadoras de que no se transmite la comunicación saliente.



El grupo de NIB al que pertenece un usuario depende de la ubicación del mismo y las otras orejeras NIB.

NIB funciona cuando el nivel de ruido ambiental excede aproximadamente 80 dB y cuando el ruido es continuo durante aproximadamente 1 segundo.

NIB también funciona en menos de 80 dB si el usuario pulsa el botón PTT (pulsar para hablar) en modo de PTT o en modo de VOX.

Activación de NIB (figura 7)

Pulsar dos veces rápidamente en botón PTT para cambiar entre NIB PTT ACTIVADO/NIB DESACTIVADO/NIB VOX ACTIVADO. Mantener pulsado el botón NIB PTT para habilitar comunicaciones dentro del radio de 10 m en modo de NIB VOX ACTIVADO y en modo de NIB PTT ACTIVADO.

NIB VOX ACTIVADO - En este modo, niveles altos de ruido activarán el radio NIB para permitir comunicaciones de VOX para hasta cuatro usuarios. Pulsando el botón de PTT en VOX ACTIVADO también se habilita la comunicación sin ruido.

Cuando la orejera funciona en un entorno con ruido intermitente, el ruido puede activar NIB VOX repetidamente. En este caso se puede usar NIB PTT ACTIVADO.

NIB PTT ACTIVADO - En este modo hay que pulsar el botón PTT para transmitir.

NIB OFF - Este modo APAGA la radio NIB. En NIB DESACTIVADO, no se transmite señal de radiofrecuencia desde la radio NIB.

PTT para NIB (figura 8)

Mantener pulsado el botón de PTT de la cazoleta izquierda para transmitir en NIB.

Entrada en el menú (figura 4)

1. Pulsar los botones [+] y [-] para entrar en el menú. Un mensaje de voz confirma.
2. Pulsar brevemente el botón [-] para desplazarse en el menú. Los pasos de menú están alistados abajo.
3. Usar el botón [+] para cambiar el ajuste y, si corresponde, desplazarse por los ajustes disponibles. Un mensaje de voz confirma cada paso, seguido del ajuste actual. Los cambios también son confirmados por un mensaje de voz. Después de unos segundos de inactividad, el menú retorna al modo de volumen. Pulsando los botones [+] y [-] se puede alcanzar instantáneamente el ajuste de volumen en cualquier etapa del menú.

Ambient/Environmental listening mode (Modo de escucha ambiental)

El modo de escucha ambiental está disponible en modo clásico y en modo avanzado. El modo clásico permite regular el volumen en cuatro pasos, aumentando o reduciendo el nivel sonoro de la escucha ambiental. El modo avanzado incluye cuatro ajustes predeterminados optimizados para distintos perfiles sonoros.

Ajuste	Uso previsto
Modo avanzado 1 (Confort)	Para confort en entornos muy ruidosos.
Modo avanzado 2 (Conversación)	Para una experiencia natural de radio cuando se necesita protección contra ruidos súbitos.
Modo avanzado 3 (Caminata)	Para concienciación situacional alta cuando se camina en un entorno de poco ruido.
Modo avanzado 4 (Sobrevigilancia)	Para una concienciación situacional fuerte en entornos silenciosos.

Battery (Pilas)

Elegir el tipo de pilas utilizadas en la orejera: alcalinas o recargables.

Wireless input (Entrada inalámbrica)

1. Para armar el collar, seguir las instrucciones del manual de 3M™ PELTOR™ TEP-LOOP*.
2. Ajustar la entrada inalámbrica y la sensibilidad para corresponder al dispositivo de collar conectado, siguiendo las instrucciones del menú de la orejera. Elegir desactivada/baja/media/alta (Off/Low/Medium/High).
3. Ajustar el volumen en la radio externa, si es necesario.

NOTA: El volumen puede variar en función de la distancia entre la orejera y el dispositivo de collar.

Wired input (Entrada alámbrica)

Ajustar la entrada alámbrica y la sensibilidad para corresponder al dispositivo conectado. Elegir Low/High (Alta/baja).

Balance

El ajuste de balance regula el balance del volumen entre la oreja derecha y la izquierda. Hay siete ajustes de nivel: Center

(Centro), Left 1 (Izquierdo 1), Left 2 (Izquierdo 2), Max left (Izquierdo máx), Max right (Derecho máx), Right 2 (Derecho 2), Right 1 (Derecho1).

Warning signals (Señales de advertencia)

El ajuste de la señal de advertencia deshabilita/habilita las señales de advertencia de "low battery" (pilas descargadas) y "automatic power off" (apagado automático). Cuando se apaga, no suena ninguna de estas señales de advertencia.

Automatic power off (Apagado automático)

El ajuste de apagado automático deshabilita/habilita la función de apagado automático.

NIB frequency (Frecuencia de NIB)

Para Norteamérica, Australia y Nueva Zelanda, la frecuencia para NIB es de 915 MHz.

Para Europa, la frecuencia para NIB es de 864 MHz.

Elegir la frecuencia de NIB: 864 MHz (EU) o 915 MHz (NA, ANZ). Pulsar [+] para seleccionar y luego mantener pulsado [+] para confirmar la selección.

NOTA: Verificar que se usa la frecuencia aprobada para la región en que se opera.

Factory reset (Restablecimiento de ajustes de fábrica)

Restablece los valores predeterminados de fábrica en todos los ajustes. Este ajuste debe confirmarse pulsando [+] cuando el mensaje de voz dice "confirm factory reset" (confirmar restablecimiento de valores de fábrica).

LOCALIZACIÓN Y CORRECCIÓN DE FALLOS DE NIB

Problema	Causas posibles	Sugerencia
La orejera emite una señal acústica al transmitir.	Canal NIB ocupado por cuatro personas.	Esperar a que haya un sitio disponible.
La orejera emite una señal acústica al transmitir.	No hay otras orejeras en el perímetro.	Comprobar si hay otra orejera en uso en el perímetro.
No es posible oír ni comunicar con otros.	No se está usando la frecuencia de NIB correcta para la región en que se opera.	Elegir la frecuencia de NIB correcta en el menú. Ver "Frecuencia de NIB".
No es posible oír ni comunicar con otros.	NIB no está activado.	Cambiar entre diferentes modos con el botón de PTT. Ver "Activación de NIB".

LIMPIEZA Y MANTENIMIENTO

Usar un paño jabonoso y agua caliente para limpiar las carcassas exteriores, la diadema y los aros de sellado.

NOTA: NO sumergir el protector auditivo en agua. Si el protector auditivo se moja con lluvia o sudor: abrir las cazoletas y quitar los aros de sellado y los revestimientos de espuma y dejar que se sequen antes de volver a colocarlos. Los aros de sellado y los revestimientos de espuma pueden deteriorarse con el uso y deben revisarse a intervalos regulares para ver si tienen grietas u otros daños. Cuando la orejera se usa regularmente, 3M recomienda cambiar los revestimientos de espuma y los aros de sellado por lo menos dos veces al año para mantener una atenuación, higiene y confort constantes. Si se daña un aro de sellado, hay que cambiarlo. Ver la sección "Repuestos", abajo.

REMOCIÓN Y CAMBIO DE LOS AROS DE SELLADO

F:1 Para quitar un aro de sellado, introducir los dedos debajo del borde del mismo y tirar de él con fuerza hacia fuera.

F:2 Quitar el/los revestimiento/s existente/s e insertar revestimiento/s de espuma nuevo/s.

F:3 Colocar un lado del aro de sellado en la ranura de la cazoleta y luego presionar el otro lado para colocarlo a presión.

APLICACIÓN DE CINTA ADHESIVA PROTECTORA DE MICRÓFONO.

Para proteger el micrófono de pértiga contra humedad y suciedad, usar el protector de micrófono HYM1000.

Colocación del protector (figura G):

G:1 Con unas tijeras, cortar 100 mm de cinta adhesiva protectora de micrófono. Quitar el papel protector.

G:2 Poner el micrófono en el extremo de la cinta, tal como se muestra en la imagen.

G:3 Plegar la cinta adhesiva protectora y comprobar que el micrófono está cubierto.

G:4 Pulsar con fuerza para sellar la cinta adhesiva protectora.

G:5 Ahora, el micrófono está listo para usar.

REPUESTOS Y ACCESORIOS

3M™ PELTOR™ HY68 Kit de higiene

Kit de higiene cambiabile. Cambiar estas piezas como mínimo dos veces al año para garantizar una atenuación, higiene y confort constantes.

3M™ PELTOR™ HY80-EU Kit de higiene con almohadilla de gel

3M™ PELTOR™ HY100A Protectores auditivos monouso Protector auditivo monouso, fácil de colocar en los aros de sellado.

3M™ PELTOR™ MT73 Micrófono impermeable Micrófono de habla dinámico impermeable.

3M™ PELTOR™ M171/2 Protección contra viento para micrófono

3M™ PELTOR™ HYM1000 Protección de micrófono
Cinta adhesiva resistente a la humedad y el viento, que protege el micrófono de habla.

3M™ PELTOR™ Protección contra viento para micrófonos de entorno

3M™ PELTOR™ HY450/1 Almohadilla de cabeza
Para usar con diademas plegables en tallas de cabeza pequeñas.

3M™ PELTOR™ LR03NM Pila AAA NiMH

GARANTÍA Y LIMITACIÓN DE RESPONSABILIDAD

GARANTÍA: En caso de que cualquier producto de 3M Personal Safety Division tuviera defectos de material o fabricación o no fuera de conformidad con cualquier garantía expresa para una finalidad específica, la única obligación de 3M y su remedio exclusivo será, por decisión de 3M, reparar, sustituir o reembolsar el precio de compra de tales piezas o productos previa notificación oportuna por su parte del problema y justificación de que el producto se ha almacenado, mantenido y usado según las instrucciones escritas de 3M. EXCEPTO DONDE ESTÉ PROHIBIDO POR LEY, ESTA GARANTÍA ES EXCLUSIVA Y SUSTITUTIVA DE CUALQUIER GARANTÍA EXPRESA O IMPLÍCITA DE COMERCIABILIDAD O IDONEIDAD PARA UN PROPÓSITO DETERMINADO, U OTRA GARANTÍA DE CALIDAD, O AQUELLAS QUE PUDIERAN SURGIR DE UN ACUERDO, COSTUMBRE O USO COMERCIAL, EXCEPTO DE TÍTULO Y CONTRA VIOLACIÓN DE PATENTE. 3M, bajo esta garantía no tiene ninguna obligación con respecto a ningún producto que haya fallado debido a almacenaje, manipulación o mantenimiento inadecuado o impropio; incumplimiento de instrucciones del producto; o alteración o daño del producto a causa de accidente, negligencia o uso incorrecto.

LIMITACIÓN DE RESPONSABILIDAD: EXCEPTO DONDE ESTÉ PROHIBIDO POR LEY, 3M NO SERÁ RESPONSABLE EN NINGÚN CASO POR NINGUNA PÉRDIDA O DAÑOS DIRECTOS, INDIRECTOS, ESPECIALES, INCIDENTALES O CONSECUENCIALES (INCLUYENDO PÉRDIDA DE BENEFICIOS) SURGIDOS DE ESTE PRODUCTO, INDEPENDIEMENTE DE LA DOCTRINA LEGAL AFIRMADA. LOS REMEDIOS EXPUESTOS AQUÍ SON EXCLUSIVOS.

MODIFICACIONES NO AUTORIZADAS: No se deben efectuar modificaciones en este dispositivo sin la autorización por escrito de 3M. Las modificaciones no autorizadas pueden anular la garantía y la autoridad del usuario para manejar el aparato.

NOTA:

- No mezclar pilas viejas con nuevas.
- No mezclar pilas alcalinas con normales o recargables.
- Para la eliminación correcta de las pilas, seguir la normativa local en materia de eliminación de residuos sólidos.
- Usar sólo pilas AAA no recargables o pilas NiMH recargables (según corresponda).

3M™ PELTOR™ ComTac™ VI NIB Headset MT20H682**.*N**

JOHDANTO

Onnittelut ja kiitos 3M™ PELTOR™ viestintätarkkaisuvalinnasta! Tervetuloa uuden sukupolven turvalliseen viestintään.

KÄYTTÖTARKOITUS

Nämä 3M™ PELTOR™ headsetit on tarkoitettu suojaamaan vaarallisilta melutasoilta ja voimakkailla ääniltä sekä mahdollistamaan samalla ympäristöäännten kuulemisen ympäristömikrofonien kautta, liitettyjen viestintälaitteiden kuuntelun ja viestinnän kasvoستن integroidulla Natural Interaction Behavior (NIB) -teknologialla jatkuvassa voimakkaassa melussa. Kaikkien käyttäjien odotetaan lukevan ja ymmärtävän toimitetut käyttöohjeet sekä perehtyvän tämän laitteen käyttöön.

TÄRKEÄÄ

Lue ja ymmärrä kaikki näissä ohjeissa annetut turvallisuustiedot ennen käyttöä ja noudata niitä. Säilytä nämä ohjeet vastaisen varalta. Jos tarvitset lisätietoja, ota yhteyttä 3M:n teknisiin palveluihin (yhteystiedot ovat viimeisellä sivulla).



VAROITUS

Tämä kuulonsuojain auttaa vähentämään altistusta melulle ja muille voimakkaalle äänille. Kuulonsuojaimen virheellinen käyttö tai käytön laiminlyönti haitallisessa melussa voi aiheuttaa kuulon menetyksen tai kuulovamman. Varmista oikea käyttö kysymällä neuvoja esimieheltä, lukemalla käyttöohjeista tai soittamalla 3M:n teknisiin palveluihin. Jos kuulosi tuntuu heikolta tai kuulet kiilnää tai suhinaa ammunnan tai muun meluallistuksen aikana tai sen jälkeen, tai epäilet kuulosi jostakin muusta syystä heikentyneen, poistu välittömästi melusilta alueelta ja ota yhteys terveydenhuollon ammattilaiseen ja/tai esimieheesi.

Näiden ohjeiden laiminlyönti voi aiheuttaa vakavan tapaturman tai kuoleman:

- Musiikin kuuntelu tai muu ääniviestintä voi heikentää tarkkaavaisuuttasi ja kykyäsi kuunnella varoitusäänimerkkejä. Säilytä valppautesi ja säädä äänentoiston voimakkuus alimmalle käytännölliselle tasolle. Joillakin työpaikoilla viihdelaitteiden käyttö voi heikentää varoitusäänimerkkien kuulemistasi.
- Vähentääksesi räjähdysvaaraa älä käytä tätä tuotetta räjähdysvaarallisessa ympäristössä.

Näiden ohjeiden laiminlyönti voi heikentää kuulonsuojaimen antamaa suojaa ja aiheuttaa kuulon menetyksen:

- Tutkimukset viittaavat siihen, että käyttäjillä melunvaimennus voi jäädä pienemmäksi kuin pakkauksen vaimennusarvo(i) sta ilmenee suojaimen sovituksen, sovitustaidon ja käyttäjän motivaation vuoksi. Katso sovellettavista määräyksistä ohjeet annettujen arvojen säätämiseksi ja vaimennuksen arvioimiseksi. Lisäksi 3M suosittelee voimakkaasti kuulonsuojaimien istuvuuden testaamista.
- Varmista, että kuulonsuojaimen valinta, sovitus, säätö ja hoito tehdään oikein. Tämän laitteen virheellinen sovitus heikentää

sen melunvaimennustehoa. Katso oikea sovitus oheisista ohjeista.

- Tarkasta kuulonsuojain aina ennen käyttöä. Jos se on vioittunut, valitse vahingoittumaton kuulonsuojain tai vältä oleskelua meluisassa ympäristössä.
- Lisäsuojaimia (esim. suojalaseja, hengityssuojaimia jne.) tarvittaessa valitse joustavat, matalaprofiiliset sangat tai kiinnitysnauhat, jotka eivät heikennä kuulonsuojaimen tiivisterenkaiden tiivistystä. Poista tiivisterenkaiden edestä kaikki muut tarpeettomat esteet (esim. hiukset, päähineet, korut, kuulokkeet, hygieniasuojat jne.), jotka voivat heikentää niiden tiivistystä ja heikentää kuulonsuojaimen antamaa suojaa.
- Älä taivuta tai muotoile päälaki- tai niskasankaa, ja varmista, että se riittää pitämään kuulonsuojaimen tukevasti paikallaan.
- Suojain ja etenkin sen tiivisterenkaat saattavat heikentää ajan myötä ja ne on tarkastettava säännöllisesti mahdollisten halkeamien tai äänivuotojen toteamiseksi. Kun tuotetta käytetään säännöllisesti, vaihda tiivisterenkaat ja vaimennustyyny vähintään kaksi kertaa vuodessa jatkuvan suojan, hygienian ja käyttökavuuuden varmistamiseksi.
- Tämän kuulonsuojaimen sähköisen äänipiirin lähtösignaali voi ylittää päivittäisen äänitasorajan. Säädä äänentoiston voimakkuus alimmalle käytännölliselle tasolle.
- Jos edellä olevia vaatimuksia ei noudateta, kuulonsuojaimien antama suoja heikkenee merkittävästi.

EN 352 Turvallisuuslausekkeet:

- Tämän kuulonsuojaimen signaalitasosta riippuvan piirin lähtösignaali voi ylittää ulkoisen äänitason.
- Hygieniasuojien asennus tiivisterenkaisiin saattaa vaikuttaa suojaimen akustiseen suorituskykyyn.
- Suorituskyky voi heikentä paristojen vanhetessa. Kuulonsuojaimen pariston odotettu toiminta-aika yhtäjaksoisessa käytössä on arvioita:
 - LDF ja NIB: 30 tuntia
 - LDF: 50 tuntia
- Tietyt kemialliset aineet voivat vaikuttaa haitallisesti tähän tuotteeseen. Lisätietoja saa valmistajalta.
- Nämä kuulonsuojaimet ovat pienikokoisia. Standardin EN 352-1 mukaiset kuulonsuojaimet ovat "keski"-, "pieni"- tai "suurikokoisia". "Keski" - kuulonsuojaimet sopivat valtaosalle käyttäjistä. "Pienikokoiset" tai "suurikokoiset" kuulonsuojaimet on tarkoitettu käyttäjille, joille "keski" - kuulonsuojaimet eivät sovi.
- Tuote ei sovellu suojautumiseen voimakkailla jatkuville matalataajuisilla melutasoilta.

HUOM!

- Räjähdysvaara, jos tuotteeseen vaihdetaan vääranäyttypinen paristo.
- Käytä aina tuotekohtaisia 3M-vaihto-osia. Muiden kuin valtuutettujen vaihto-osien käyttö voi heikentää tämän tuotteen antamaa suojaa.

HUOM!

- Kun tätä kuulonsuojainta käytetään näiden käyttöohjeiden mukaisesti, se auttaa vähentämään altistumista esim. teollisuuden, ajoneuvojen ja lentokoneiden aiheuttamalle jatkuvalla melulle sekä erittäin voimakkaalle impulssiäänille,

kuten ammunnalle. On vaikea ennakoita, kuinka hyvin kuulo tulisi suojata ja/tai on käytännössä suojattu impulssiääniltä. Ammunnassa aseiden tyyppi, laukaisukertojen määrä, kuulonsuojaimen oikea valinta, sovitus ja käyttö, kuulonsuojaimen oikea hoito ja muut muuttajat vaikuttavat kuulonsuojauksen tehoon. Lisätietoja kuulon suojaamisesta impulssiääniltä on annettu osoitteessa www.3M.com/hearing.

- Tämä kuulonsuojain on varustettu kuuleva kuulonsuojain-toiminnolla (ulkoisesta äänitasosta riippuvalla vaimennuksella). Käyttäjän on tarkastettava suojaimen toimivuus ennen käyttöä. Jos toiminnassa havaitaan häiriö tai vika, on toimitettava valmistajan antamien hoito- ja paristonvaihto-ohjeiden mukaisesti.
- Tämä kuulonsuojain on varustettu sähköisellä audiotulolla. Käyttäjän on tarkastettava suojaimen toimivuus ennen käyttöä. Jos siinä havaitaan häiriö tai vika, käyttäjän on toimitettava valmistajan antamien ohjeiden mukaisesti.
- Käyttölämpötila: -20 °C (-4 °F) – 55 °C (131 °F)
- Varastointilämpötila: -20 °C (-4 °F) – 55 °C (131 °F)
- Kuulonsuojaimen paino: MT20H682FB-**N** = 340 g, MT20H682BB-**N** = 313 g, MT20H682FB-**N***(HY80) = 379 g.
- Varastointiaika: 5 vuotta, ilman paristoja.

HYVÄKSYNNÄT

3M Svenska AB vakuuttaa täten, että radioviestintä täyttää direktiivin 2014/53/EU ja muiden sovellettavien direktiivien vaatimukset CE-merkinnän vaatimusten täyttämiseksi. 3M Svenska AB vakuuttaa myös, että henkilösuojaimena käytettävä headset täyttää asetuksen (EU) 2016/425 tai yhteisön direktiivin 89/686/ETY vaatimukset.

Sovellettava lainsäädäntö voidaan määrittää tarkistamalla vaatimustenmukaisuusvakuutus osoitteesta www.3M.com/peltor/doc. Vaatimustenmukaisuusvakuutuksesta ilmenevät myös muut mahdolliset tyyppihyväksynät. Katsoaksesi tuoteesi vaatimustenmukaisuusvakuutuksen etsi sen osanumero. Kuulonsuojaimen osanumero on kuvun pohjassa. Alla olevassa kuvassa on annettu esimerkkisijainti.



Henkilösuojaimet (kategoriaan III kuuluvat tuotteet) tarkistaa vuosittain ja tyyppihyväksyy Työterveyslaitos (Finnish Institute of Occupational Health), ilmoitettu laitos nro 0403, Topeliuksenkatu 41 b, FI-00250 Helsinki, Suomi. Tuote on testattu ja hyväksytty seuraavien standardien mukaisesti: EN 352-1:2002, EN 352-4:2001/A1:2005, EN 352-6:2002.

Kopion vaatimustenmukaisuusvakuutuksesta ja direktiiveissä vaadituista lisätiedoista voi hankkia myös ottamalla yhteyden ostamaan 3M-edustajaan. Yhteystiedot on annettu tämän käyttöohjeen viimeisillä sivuilla.



Tämä tuote sisältää sähkö- ja elektroniikkaosia eikä sitä saa hävittää tavallisen talousjätteen mukana. Tutustu sähkö- ja elektroniikkalaitteiden hävittämistä tai kierrätystä koskeviin paikallisiin määräyksiin.

LABORATORIOMITTAUKSIIN PERUSTUVA VAIMENNUS

Vaimennusarvo (SNR) mitattiin laitteen virta katkaistuna. Selitys vaimennustaulukoihin:

Eurooppalainen standardi EN 352

Tutkimukset viittaavat siihen, että käyttäjillä melunvaimennus voi jäädä pienemmäksi kuin pakkauksen vaimennusarvo(i) sta ilmenee suojaimen sovituksen, sovitustaidon ja käyttäjän motivaation vuoksi. Katso sovellettavista määräyksistä ohjeet annettujen arvojen säätämiseksi ja vaimennuksen arvioimiseksi. Lisäksi 3M suosittelee voimakkaasti kuulonsuojaimien istuvuuden testaamista.

A:1 Taajuus (Hz)

A:2 Keskvaimennus (dB)

A:3 Standardipoikkeama (dB)

A:4 Oletettu suojausarvo, APV (dB)

A:5

H = Kuulonsuojaimen arvioitu korkeataajuisien äänten vaimennus ($f \geq 2000\text{ Hz}$).

M = Kuulonsuojaimen arvioitu keskitaajuisien äänten vaimennus ($500\text{ Hz} < f < 2000\text{ Hz}$).

L = Kuulonsuojaimen arvioitu matalataajuisien äänten vaimennus ($f \leq 500\text{ Hz}$).

A:6 Kriteeritaso

H = Kriteeritaso korkeataajuiselle melulle

M = Kriteeritaso keskitaajuiselle melulle

L = Kriteeritaso matalataajuiselle melulle

A:7 Eurooppalainen standardi EN 352-6 Ulkoiset

audiotulotaset

A:8 Tulosignaalityyppi U (mV, RMS)

A:9 Keskimääräinen äänenpainetaso (dB(A))

A:10 Äänenpaineen standardipoikkeama (dB)

A:11 Tulosignaalityyppi, jolla keskiarvo plus yksi standardipoikkeama on yhtä kuin 82 dB(A)

B) Australia/Uusi-Seelanti, standardi AS/NZS 1270:2002

B:1 Testaustaajuudet

B:2 Keskvaimennus, Mean att

B:3 Standardipoikkeama, St dev

B:4 Keskvaimennus miinus standardipoikkeama

OSAT

C:1 Kokoontaitettava päälakisanka

C:2 Kuvun tukivarsi

C:3 Kaksipisteikiinnitys

C:4 Kupu

C:5 Paristokotelon kansi

C:6 Mikrofoni ympäristöäänten kuunteluun

C:7 Vaimennustyyny

C:8 Tiivisterengas

C:9 Ulkoinen tulokaapeli (vain tietyt mallit)

C:10 Puhemikrofoni (vain tietyt mallit)

C:11 Niskasanka

- C:12 Puhemikrofonitulo (J22) (vain tietyt mallit)
 C:13 [-] painike näppäimistössä
 C:14 [+] painike näppäimistössä
 C:15 NIB PTT (NIB Paina-ja-puhu -painike)

ASETUSOHJEET

Päälakisanka

- D:1 Liu'uta kuvat erilleen ja käännä kuvun yläosa ulospäin, sillä johto on asetettava päälakisangan ulkopuolelle.
 D:2 Säädä kupujen korkeus vetämällä niitä ylös- tai alaspäin ja pitämällä samalla päälakisankaa paikallaan.
 D:3 Päälakisanka on asetettava keskelle päälakea niin, että se jakaa tasaisesti headsetin painon.

Niskasanka

- D:4 Aseta kuvat paikalleen korvien päälle.
 D:5 Pidä kupuja paikallaan, aseta päälakinauha päälaellesi ja lukitse se tiiviisti päätä vasten.
 D:6 Päälakinauhan on oltava keskellä päälakeasi.

E:1-E:2 Puhemikrofonin sijoitus

Maksimoidaksesi puhemikrofonin suorituskyvyn aseta mikrofonin erittäin lähelle suuta (alle 3 mm:n etäisyydellä).

HUOM: Suurissa korkeuksissa/ilmailussa käytettäessä ympäristön paine voi laskea nopeasti ja vaikuttaa mikrofonin herkkyyteen esimerkiksi helikopterin nousun aikana. Jos näin käy, aseta mikrofoni lähemmäksi suuta ja/tai puhu kuuluvammalla äänellä lisätäkseen mikrofonin kalvoon kohdistuvaa painetta.

KÄYTTÖOHJEET

Paristojen vaihto (Kuva 1)

- 1-2. Irrota paristokotelon kannot ja asenna paristot (2xAAA).
3. Pariston napaisuuden on vastattava paristokotelon merkintää.
4. Kannot on painettava kunnolla kiinni hyvän tiivistyksen varmistamiseksi. Alhainen paristojännite ilmaistaan toistuvasti ääniviestillä "low battery".

Headsetin kytkeminen päälle ja pois (Kuva 2)

Paina painiketta [+] tai [-] ja pidä se alapainettuna noin 2 sekuntia kytkeäksesi headsetin päälle tai pois. Ääniviesti vahvistaa toiminnon. Nykyinen asetus tallentuu aina muistiin, kun headsetin virta katkaistaan.

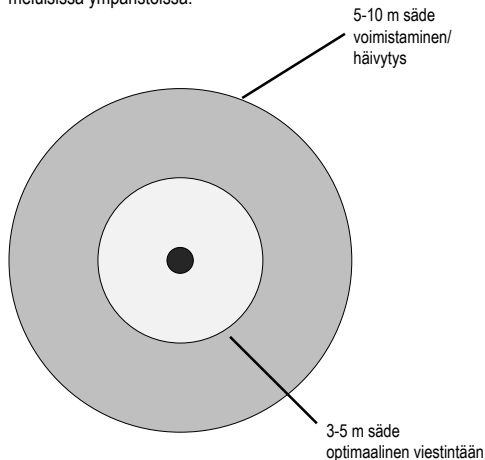
Headsetin virta katkaistaan automaattisesti kahden tunnin käyttämättömyyden jälkeen. Tämä ilmaistaan ääniviestillä viimeisen minuutin aikana, ennen kuin headsetin virta katkaistaan. Paina painiketta [+] tai [-] nollataksesi kahden tunnin aikakatkaisuaajan.

Äänenvoimakkuuden säätö (Kuva 3)

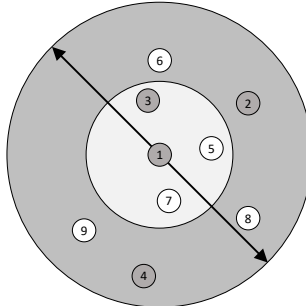
Paina painiketta [+] tai [-] säätääksesi ympäristöään-
 tuuntelun äänenvoimakkuutta. Käytettävissä on neljä säätöporrasta sekä ympäristöään-
 tuuntelun pois-asento. Maksimiasetukset vahvistetaan äänimerkillä. Ympäristöään-
 tuuntelun pois-asento vahvistetaan ääniviestillä.

Viestintä kasvojen NIB-tekniologiaa käyttäen

NIB mahdollistaa viestinnän kasvojen NIB-tekniologiaa käyttäen meluisissa ympäristöissä.



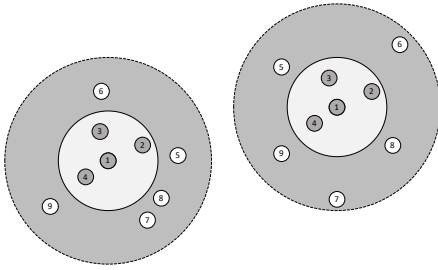
NIB-tekniologia mahdollistaa langattoman viestinnän 10 metrin säteellä. Kaksisuuntainen viestintä jopa neljän henkilön kesken tämän kantaman sisällä.



Jos ympäristö on meluisa, kävele sen henkilön luo, jolle haluat puhua. NIB-tekniologia voimistaa ja häilyttää kuuluvuuden pehmeästi (5-10 m säteellä) ja mahdollistaa viestinnän lähellä olevien henkilöiden kanssa. Pysytele 3-5 m säteellä pitääksesi yhteyden optimaalisena.

Kun kaikki neljä molempiin suuntiin lähetettävää kanavaa ovat käytössä (1-4), muut käyttäjät voivat edelleen kuunnella mutta eivät lähetä (5-9). Kuuntelijoiden enimmäismäärää rajoittaa 10 metrin säteelle mahtuvien henkilöiden määrä, ei itse tekniologia.

HUOM: Kun useampi kuin neljä käyttäjää yrittää lähettää NIB-tekniologialla, he kuulevat piip-äänimerkkejä sen merkiksi, ettei lähety onnistu.



Se, mihin NIB-ryhmään kuulut, riippuu siitä, missä oma ja muut NIB-headsetit sijaitsevat.

NIB toimii, kun ympäristön melutaso ylittää noin 80 dB ja melu jatkuu noin 1 sekunnin ajan.

NIB toimii myös alle 80 dB melussa, jos käyttäjä painaa PTT-painiketta joko PTT- tai VOX-tilassa.

NIB:n aktivointi (Kuva 7)

Paina nopeasti PTT-painiketta siirtyäksesi tilojen NIB PTT ON/ NIB OFF/NIB VOX ON välillä.

NIB PTT -painikkeen pitäminen alapainettuna mahdollistaa viestinnän 10 metrin säteellä tiloissa NIB VOX ON ja NIB PTT ON.

NIB VOX ON - Tässä tilassa korkeat melutasot aktivoivat NIB-radion ja mahdollistavat VOX-viestinnän jopa neljän käyttäjän välillä. PTT-painikkeen painaminen tilassa VOX ON mahdollistaa viestinnän myös hiljaisuudessa.

Kun headsetia käytetään meluisassa ympäristössä, melu voi aktivoida NIB VOX -tilan useita kertoja. Tässä tapauksessa voit käyttää tilaa NIB PTT ON.

NIB PTT ON - Tässä tilassa lähetettäessä on painettava PTT-painiketta.

NIB OFF - Tämä tila KYTKEE POIS PÄÄLTÄ NIB-radion. Tilassa NIB OFF ei NIB-radio lähetä RF-signaalia.

Push-to-talk (Paina-ja-puhu) NIB-teknologiassa (Kuva 8)

Paina ja pidä vasemman kuvun PTT-painike alapainettuna lähettäksesi NIB-tilassa.

Siirtyminen valikkoon (Kuva 4)

1. Siirtyäksesi valikkoon paina painikkeita [+] ja [-] ja pidä ne alapainettuina. Ääniviesti vahvistaa toiminnon.
2. Paina [-]-painiketta lyhyesti askeltaaksesi eteenpäin valikossa. Valikon toiminnot on lueteltu alla.
3. Käytä [+] -painiketta muuttaaksesi asetusta ja selataksesi mahdollisesti käytettävissä olevia asetuksia. Ääniviesti vahvistaa jokaisen toiminnon ja voimassa olevan asetuksen. Myös muutokset vahvistetaan ääniviestillä. Jos mitään ei tehdä muutamaan sekuntiin, valikko palautuu äänenvoimakkuustilaan.

Painamalla painikkeita [+] ja [-] äänenvoimakkuusasetukseen voidaan siirtyä välittömästi kaikkialta valikosta.

Ambient/Environmental listening mode (Ympäristöäänten kuuntelutila)

Ympäristöäänten kuuntelutila on käytettävissä tavallisessa ja lisäasetustilassa. Tavallisessa tilassa voit säätää äänenvoimakkuuden neljälle eri tasolle nostamalla tai alentamalla ympäristöäänten kuuntelun äänitasoa. Lisäasetustilassa on neljä valmista asetusta erilaisten ääniprofilien optimoimiseksi.

Asetus	Käyttötarkoitus
Lisäasetustila 1 (Mukavuus)	Käyttömukavuuden varmistamiseksi erittäin meluisassa ympäristössä.
Lisäasetustila 2 (Keskustelu)	Luonnollisen kuuntelukokemuksen varmistamiseksi ympäristössä, jossa kuulo on suojattava äkilliseltä melulta.
Lisäasetustila 3 (Partiointi)	Suurta valppautta vaativiin tilanteisiin ympäristöissä, joissa melutasot ovat matalia.
Lisäasetustila 4 (Valvonta)	Erittäin suurta valppautta vaativiin tilanteisiin hiljaisessa ympäristössä.

Battery (Paristo)

Valitse headsetissäsi käytettävän pariston tyyppi, alkali tai ladattava.

Wireless input (Langaton tulo)

1. Noudata 3M™ PELTOR™ TEP-LOOP*-induktiosilmukan asetusohjetta.
2. Siirry headsetin valikkoon ja säädä langattoman yhteyden tulo ja herkkyys yhdistetylle induktiosilmukalle sopiviksi. Valitse Off/Low/Medium/High (Pois/Pieni/Keskisuuri/Suuri).
3. Säädä tarvittaessa ulkoisen radion äänenvoimakkuutta.

HUOM: Äänenvoimakkuus voi vaihdella riippuen headsetin ja induktiosilmukan välisestä etäisyydestä.

Wired input (Langallinen tulo)

Säädä langallisen yhteyden tulo ja herkkyys langallista laitetta vastaavaksi. Valitse Low/High (Pieni/Suuri).

Balance (Tasapaino)

Tasapainoasetus säätää äänenvoimakkuuden tasapainoa oikean ja vasemman korvan välillä. Säätötasoja on seitsemän: Center, Left 1, Left 2, Max left, Max right, Right 2, Right 1. (Keski, Vasen 1, Vasen 2, Max vasen, Max oikea, Oikea 2, Oikea 1)

Warning signals (Varoitusaänimerkit)

Varoitusaänimerkkiasetus kytkee varoitusaänimerkit pois/päälle "low battery" (heikko paristo) ja "automatic power off" (automaattinen virrankatkaisu). Pois kytketyssä tilassa näitä varoitusaänimerkkejä ei kuulla.

Automatic power off (Automaattinen virrankatkaisu)

Automaattinen virrankatkaisu kytkee pois/päälle automaattisen virrankatkaistiminnon.

NIB frequency (NIB-taajuus)

Pohjois-Amerikassa, Australiassa ja Uudessa-Seelannissa NIB-taajuus on 915 MHz.

Euroopassa NIB-taajuus on 864 MHz.

Valitse NIB-taajuus, 864 MHz (EU) tai 915 MHz (NA, ANZ). Paina [+] -painiketta valitaksesi ja pidä [+] -painike alhaalla vahvistaaksesi valintasi.

HUOM: Varmista, että käytät toiminta-alueellesi hyväksyttyä taajuutta.

Factory reset (Tehdasasetusten palautus)

Palauttaa kaikkiin valikkoasetuksiin tehtaalla asetetut arvot. Tämä asetus on vahvistettava painamalla painiketta [+], kun ääniviesti sanoo "confirm factory reset" (vahvista tehdasasetusten palautus).

NIB-VIANETSINTÄ

Ongelma	Mahdolliset syyt	Korjausehdotus
Headsetista kuuluu äänimerkki lähetyksen aikana.	Neljä henkilöä käyttää NIB-kanavaa.	Odoti, kunnes kanava vapautuu.
Headsetista kuuluu äänimerkki lähetyksen aikana.	Kantaman sisällä ei ole yhtään muuta headsetia.	Varmista, että kantaman sisällä on käytössä toinen headset.
En voi kuulla tai viestiä muiden kanssa.	Et käytä toiminta-alueesi oikeaa NIB-taajuutta.	Valitse oikea NIB-taajuus valikosta. Katso NIB-taajuus.
En voi kuulla tai viestiä muiden kanssa.	NIB-tilaa ei ole aktivoitu.	Siirry eri tilojen välillä PTT-painikkeella. Katso NIB-tilan aktivointi.

PUHDISTUS JA HOITO

Puhdista ulkopinta, päälakisanka ja tiivisterenkaat lämpimään saippuavesiliuoksen kostutetulla liinalla.

HUOM: ÄLÄ upota kuulonsuojainta veteen. Jos sade tai hiki kastelee kuulonsuojaimen, käännä kuvat ulospäin, poista tiivisterenkaat ja vaimennustyyny, ja anna niiden kuivua ennen takaisin asentamista. Tiivisterenkaat ja vaimennustyyny saattavat heiketä ajan myötä ja ne on tarkastettava säännöllisesti mahdollisten halkeamien tai muiden vaurioiden toteamiseksi. Kun tuotetta käytetään säännöllisesti, 3M suosittelee vaihtamaan vaimennustyyny ja tiivisterenkaat vähintään kaksi kertaa vuodessa jatkuvan vaimennuksen, hygienian ja käyttömukavuuden varmistamiseksi. Jos tiivisterengas on vioittunut, se on vaihdettava. Katso alla luku Varaosat/ Lisävarusteet.

TIIVISTERENKAIDEN IRROTUS JA VAIHTO

F:1 Irrota tiivisterengas työntämällä sormet tiivisterenkaan reunan alle ja vetämällä suoraan ulospäin.
F:2 Poista entinen/entiset vaimennusrenkas/vaimennusrenkaat ja aseta tilalle uusi/udet.
F:3 Aseta tiivisterenkaan toinen reuna kuvun uraan ja paina tiivisterengasta vastakkaiselta puolelta niin, että se napsahtaa paikalleen.

MIKROFONIN SUOJATEIPIIN KIINNITYS

Suojaa varrellinen puhemikrofoni kosteudelta ja lialta käyttämällä mikrofonisuoja HYM1000.

Suojateipin kiinnitys (Kuva G):

- G:1 Leikkaa saksilla 100 mm pala mikrofonin suojateippiä. Poista suojapaperi.
G:2 Aseta mikrofoni teipin päähän kuvan osoittamalla tavalla.
G:3 Taita suojateippi ja varmista, että teippi peittää mikrofonin.
G:4 Kiinnitä teippi tiiviisti painamalla.
G:5 Mikrofoni on nyt käyttövalmis.

VARAOSAT JA TARVIKKEET

3M™ PELTOR™ HY68 SV Hygieniasarja
Vaihdettava hygieniasarja. Vaihda vähintään kaksi kertaa vuodessa tasaisen vaimennuksen, hygienian ja käyttömukavuuden varmistamiseksi.

3M™ PELTOR™ HY80-EU Geelitäytteen tiivisterengassarja

3M™ PELTOR™ HY100A Kertakäyttösuojat
Helposti tiivisterenkaiden päälle kiinnitettävä kertakäyttösuoja.

3M™ PELTOR™ MT73 Vedenpitävä mikrofoni
Vedenpitävä dynaaminen puhemikrofoni.

3M™ PELTOR™ M171/2 Mikrofonin tuulisuoja

3M™ PELTOR™ HYM1000 Mikrofonisuoja
Kosteuden- ja tuulenpitävä teippi, joka suojaa puhemikrofonia.

3M™ PELTOR™ M60/2 Tuulisuoja ympäristömikrofoneille

3M™ PELTOR™ HY450/1 Päälakityyny

Käytetään kokoonaitettavien päälakisankojen istuvuuden parantamiseen.

3M™ PELTOR™ LR03NM Paristo AAA NiMH

TAKUU JA VASTUUNRAJOITUS

TAKUU: Mikäli 3M:n tuotteessa havaitaan materiaali- tai valmistusvika tai se ei vastaa tiettyä tarkoitusta koskevaa takuuta, 3M:n ainoa velvollisuus on 3M:n oman valinnan mukaan korjata tai vaihtaa sellaiset osat tai tuotteet tai korvata niiden ostohinta, mikäli olet ilmoittanut ongelmasta ajoissa, ja edellyttäen, että tuotetta on säilytetty ja käytetty 3M:n kirjallisten ohjeiden mukaisesti. ELLEI LAINSÄÄDÄNTÖ SITÄ KIELLÄ, TÄMÄ TAKUU ON AINOA TAKUU JA KORVAA KAIKKI ILMAISTUT TAI OLETETUT MYYNTELPOISUUTTA, SOPIVUUTTA JOHONKIN TIETTYYN TARKOITUKSEEN KOSKEVAT TAKUUT TAI MUUN LAATUTAKUUN, TAI MYNNIN, KAUPPATAVAN TAI KAUPALLISEN KÄYTÖN SEURAUKSENA TOILEVAT TAKUUT, LUKUUN OTTAMATTA LAKISÄÄTEISTÄ OIKEUTTA JA PATENTTILOUKAUSTA. 3M:llä ei ole tämän takuun nojalla minkäänlaisia velvollisuuksia koskien mitään tuotetta, joka on vikaantunut johtuen puutteellisesta tai virheellisestä säilytyksestä, käsittelystä tai kunnossapidosta, tuoteohjeiden noudattamatta jättämisestä,

tuotteen muuttamisesta tai onnettomuudesta, laiminlyönnistä tai väärinkäytöstä tuotteelle aiheutuneesta vahingosta.

VASTUUN RAJOITUS: ELLEI LAINSÄÄDÄNTÖ SITÄ KIELLÄ, 3M EI OLE VASTUUSSA MISTÄÄN TÄSTÄ TUOTTEESTA AIHEUTUNEISTA SUORISTA, ERITYISISTÄ, SATUNNAISISTA TAI TUOTTAMUKSELLISISTA MENETYKSISTÄ TAI VAHINGOISTA (VOITTOJEN MENETYS MUKAAN LUKIEN) RIIPPUMATTA SOVELLETUSTA LAKIPERUSTEESTA. TÄSSÄ ESITETYT KORJAUSTOIMET OVAT AINOAT MAHDOLLISET.

EI MUUTOKSIA: Tähän laitteeseen ei saa tehdä muutoksia ilman 3M Companyn kirjallista lupaa. Luvattomat muutokset voivat johtaa takuun raukeamiseen ja laitteen käyttöoikeuden menettämiseen.

HUOM:

- Älä käytä vanhoja ja uusi paristoja yhdessä.
- Älä käytä alkali-, vakio- tai ladattavia paristoja yhdessä.
- Hävitä paristot asianmukaisesti noudattamalla paikallisia jätehuoltomääräyksiä.
- Käytä vain tavallisia AAA- tai ladattavia NiMH-paristoja (jos mahdollista).

3M™ PELTOR™ ComTac™ VI NIB Headset MT20H682**.*N**

INTRODUCTION

Félicitations et merci d'avoir choisi les solutions de communication 3M™ PELTOR™. Découvrez les protections auditives communicantes de nouvelle génération !

USAGE PRÉVU

Ces casques 3M™ PELTOR™ sont conçus pour fournir une protection contre les niveaux sonores dangereux et les sons forts, tout en permettant à l'utilisateur d'entendre les sons ambiants via les microphones d'ambiance/environnants, d'écouter les dispositifs de communication connectés et de communiquer avec la technologie Comportement naturel d'interaction (NIB) en milieux bruyants permanents. Il incombe à chaque utilisateur de lire et de comprendre les instructions d'utilisation fournies et de se familiariser avec l'utilisation de ce produit.

IMPORTANT

Veillez lire, comprendre et observer toutes les informations de sécurité figurant dans ces instructions avant toute utilisation. Prière de conserver ces instructions en vue d'une utilisation future. Pour plus d'informations ou pour toute question, merci de contacter le Centre d'assistance 3M (coordonnées figurant à la dernière page).



AVERTISSEMENT

Ces protections auditives permettent de limiter l'exposition aux bruits dangereux et autres sons de forte intensité. L'utilisation inappropriée ou la non-utilisation de protections auditives lors de toute exposition à des bruits dangereux peut provoquer une perte d'audition ou des lésions auditives. Pour une utilisation correcte de l'équipement, contactez votre supérieure et lisez les instructions d'utilisation ou appelez le Centre d'assistance 3M. Si votre capacité auditive semble diminuée ou si vous entendez un bourdonnement dans vos oreilles pendant ou après toute exposition à un bruit (y compris à des coups de feu), ou si, pour toute autre raison, vous suspectez un problème d'audition, quittez l'environnement bruyant immédiatement et consultez un professionnel de la santé et/ou votre superviseur.

Le non-respect de ces instructions peut entraîner des blessures graves voire la mort :

- Écouter de la musique ou toute autre communication audio peut réduire votre appréciation de la situation et votre capacité à percevoir les signaux d'avertissement. Restez vigilant et réglez le volume audio au plus bas niveau acceptable. L'audibilité des signaux d'avertissement sur un poste de travail spécifique peut être altérée lorsqu'on utilise la fonction d'avertissement.
- Afin de réduire les risques associés au déclenchement d'une explosion, ne pas utiliser ce produit dans une atmosphère potentiellement explosive.

Le non-respect de ces instructions peut réduire la protection fournie par le protecteur auditif et peut entraîner une perte auditive :

- Les études tendent à indiquer que des utilisateurs peuvent recevoir moins de réduction du bruit que ce qui est indiqué par la/les valeur(s) d'atténuation sur l'emballage en raison de la variation de l'ajustement, de l'aptitude à fixer le casque et de la motivation de l'utilisateur. Reportez-vous à la réglementation applicable pour savoir comment ajuster les valeurs indiquées sur l'étiquette et estimer l'atténuation. Par ailleurs, 3M recommande un test de réglage individuel des protections auditives.
- Assurez-vous que la protection auditive est montée, ajustée et entretenue correctement. Un port incorrect de ce dispositif réduira son efficacité pour l'atténuation du bruit. Se reporter aux instructions d'utilisation ci-jointes, indiquant comment le porter correctement.
- Examinez la protection auditive avec soin avant chaque utilisation. Si elle est endommagée, sélectionnez un appareil en bon état ou évitez tout environnement bruyant.
- Lorsqu'un équipement de protection individuelle supplémentaire est requis (par exemple des lunettes de sécurité, un respirateur, etc.), sélectionnez des lunettes qui ont des branches fines et plates ou des sangles qui minimisent l'interférence avec les coussinets. Retirez tous les autres articles inutiles (par exemple cheveux, chapeau, bijoux, casque, housses d'hygiène, etc.) qui pourraient interférer avec l'étanchéité du coussinet de la protection auditive et réduire son efficacité.
- Ne pas tordre ou déformer le serre-tête ou serre-nuque, et s'assurer que sa tension est suffisante pour maintenir la protection auditive fermement en place.
- Les coquilles, et en particulier les anneaux d'étanchéité, peuvent se détériorer avec le temps et devront être examinées fréquemment, afin de détecter tout signe de fissure ou de fuite. Lors d'utilisation régulière, remplacez les coussinets et les rembourrages en mousse au moins deux fois par an pour maintenir des niveaux de réduction du bruit, d'hygiène et de confort uniformes.
- Le niveau de sortie du circuit audio électrique de cette protection auditive peut dépasser le niveau limite d'exposition quotidienne. Réglez le volume audio au plus bas niveau acceptable.
- Si les exigences ci-dessus ne sont pas observées, la protection fournie par ce casque sera gravement compromise.

EN 352 Consignes de sécurité :

- La sortie du circuit dépendant du niveau de la protection auditive peut dépasser le niveau sonore externe.
- L'utilisation de kits d'hygiène sur les coussins peut modifier les performances des protections auditives.
- Les performances peuvent se détériorer avec l'usure des piles. La durée d'utilisation continue habituelle des piles équipant le casque est d'environ :
 - LDF et NIB : 30 heures
 - LDF : 50 heures
- Ce produit peut être endommagé par certaines substances chimiques. Consultez le fabricant pour de plus amples renseignements.
- Ces protections auditives sont de petite taille (Small). Les protections auditives conformes à la norme EN 352-1 sont de taille moyenne, petite ou grande. La gamme de taille moyenne convient à la majorité des porteurs. Les tailles petite ou

grande conviennent aux porteurs qui ne peuvent pas utiliser des modèles de taille moyenne.

- Le produit ne convient pas pour les niveaux sonores élevés continus dans les basses fréquences.



ATTENTION

- Risque d'explosion si la batterie est remplacée par une batterie autre que celle prescrite.
- Utilisez toujours des pièces de rechange 3M spécifiques au produit. L'utilisation de pièces de rechange non autorisées peut réduire la protection assurée par ce produit.

REMARQUE

- Portées conformément aux instructions d'utilisation, ces protections auditives contribuent à réduire l'exposition, aussi bien aux bruits continus, tels que bruits industriels et bruits provenant de véhicules et avions, qu'aux bruits impulsionnels très forts, tels que des coups de feu. Il est difficile de prévoir la protection auditive requise et/ou réellement obtenue durant l'exposition à des bruits impulsionnels. En ce qui concerne les coups de feu, le type d'arme, le nombre de salves tirées, le choix, l'ajustement et l'utilisation corrects de la protection auditive, la manière dont on prend soin de la protection auditive, ainsi que d'autres variables, auront une incidence sur les performances. Pour en savoir plus sur la protection auditive adaptée à des bruits impulsionnels, consulter le site www.3M.com/hearing.
- Ce casque est équipé de la fonction d'atténuation dépendant du niveau sonore. Il est recommandé à l'utilisateur de vérifier le bon fonctionnement du produit avant son utilisation. En cas de distorsion ou de tout autre dysfonctionnement, suivre les instructions du fabricant relatives à l'installation et au remplacement des piles.
- Cette protection auditive comporte une entrée audio électrique. Il est recommandé à l'utilisateur de vérifier le bon fonctionnement du produit avant son utilisation. En cas de distorsion ou de tout autre dysfonctionnement, suivez les instructions du fabricant.
- Température de service : -20 °C (-4 °F) à 55 °C (131 °F)
- Température de stockage : -20 °C (-4 °F) à 55 °C (131 °F)
- Poids de la protection auditive : MT20H682FB-**N** = 340 g, MT20H682BB-**N** = 313 g, MT20H682FB-**N** (HY80) = 379 g.
- Durée de vie : 5 ans à l'exception des piles.

HOMOLOGATIONS

Par la présente, 3M Svenska AB déclare que la radio de communication est conforme à la Directive 2014/53/UE et autres directives pertinentes pour répondre aux exigences de marquage CE. 3M Svenska AB déclare également que le casque de type EPI est conforme au règlement (UE) 2016/425 ou à la directive communautaire 89/686/CEE.

La législation applicable peut être déterminée en consultant la déclaration de conformité (DoC) sur www.3M.com/peltor/doc. La DoC indiquera également si d'autres types d'approbation sont également applicables. Lors de la récupération de votre DoC, veuillez localiser votre numéro de référence. Le numéro de référence de votre protection auditive se trouve au bas d'une des coquilles. Un exemple est illustré dans la vue ci-dessous.

Ce produit EPI est soumis à un audit annuel (s'il s'agit de produits de catégorie III) et est homologué par l'Institut finlandais de la santé au travail (Finnish Institute of Occupational Health), organisme notifié n° 0403, Topeliuksenkatu 41 b, FI-00250 Helsinki, Finlande. Le produit a été testé et approuvé selon les normes EN 352-1:2002, EN 352-4:2001/A1:2005, EN 352-6:2002.

Une copie de la Déclaration de conformité, ainsi que les informations supplémentaires exigées par les Directives, peuvent également être obtenues en prenant contact avec 3M dans le pays d'achat. Pour obtenir les coordonnées de contact, voir les dernières pages de ce mode d'emploi.



Ce produit contient des composants électriques et électroniques et ne doit pas être éliminé en ayant recours au système de collecte habituel pour les ordures ménagères. Veuillez consulter la réglementation locale pour la mise au rebut des équipements électroniques et électriques.

ATTÉNUATION DE LABORATOIRE

L'indice d'affaiblissement du bruit (SNR) a été obtenu avec l'appareil hors tension. Explication des tableaux des données d'atténuation :

Norme européenne EN 352

Les études tendent à indiquer que des utilisateurs peuvent recevoir moins de réduction du bruit que ce qui est indiqué par la/les valeur(s) d'atténuation sur l'emballage en raison de la variation de l'ajustement, de l'aptitude à fixer le casque et de la motivation de l'utilisateur. Reportez-vous à la réglementation applicable pour savoir comment ajuster les valeurs indiquées sur l'étiquette et estimer l'atténuation. Par ailleurs, 3M recommande un test de réglage individuel des protections auditives.

A:1 Fréquence (Hz)

A:2 Atténuation moyenne (dB)

A:3 Écart type (dB)

A:4 Valeur de protection théorique APV (dB)

A:5

H = Valeur d'atténuation hautes fréquences ($f \geq 2000$ Hz).

M = Valeur d'atténuation moyennes fréquences

($500 \text{ Hz} < f < 2000$ Hz).

L = Valeur d'atténuation basses fréquences ($f \leq 500$ Hz).

A:6 Atténuation moyenne

H = Critère du niveau dans un spectre de hautes fréquences

M = Critère du niveau dans un spectre de moyennes fréquences

L = Critère du niveau dans un spectre de basses fréquences

A:7 Norme européenne EN 352-6 Niveaux d'entrée audio externe

- A:8 Niveau de signal d'entrée U (mV, RMS)
- A:9 Niveau de pression sonore moyen (dB(A))
- A:10 Écart type de pression sonore (dB)
- A:11 Niveau de signal d'entrée pour lequel la valeur moyenne plus un écart type est égal à 82 dB (A).

- B) Australie/Nouvelle-Zélande Norme AS/NZS 1270:2002
- B:1 Fréquences test
- B:2 Atténuation moyenne, Mean Att
- B:3 Écart type, St Dev
- B:4 Moyenne moins écart type

COMPOSANTS

- C:1 Serre-tête pliable
- C:2 Bras support de coquille
- C:3 Fixation bipoints
- C:4 Coquille
- C:5 Couverture du boîtier à piles
- C:6 Microphone pour écoute ambiante/environnante
- C:7 Mousse d'atténuation
- C:8 Coussinet
- C:9 Câble d'entrée externe (sur certains modèles uniquement)
- C:10 Microphone de parole (sur certains modèles uniquement)
- C:11 Serre-nuque
- C:12 Entrée du microphone de parole (J22) (sur certains modèles uniquement)
- C:13 Bouton [-] sur clavier
- C:14 Bouton [+] sur clavier
- C:15 NIB PTT

INSTRUCTIONS DE MISE EN PLACE

Serre-tête

- D:1 Faites glisser les coquilles vers l'extérieur en tournant leur partie supérieure vers l'extérieur, le cordon devant être à l'extérieur du serre-tête.
- D:2 Réglez la hauteur des coquilles en les faisant glisser vers le haut ou vers le bas, tout en maintenant le serre-tête en place.
- D:3 Le serre-tête doit être placé au-dessus de la tête, comme illustré, et doit supporter le poids du casque.

Serre-nuque

- D:4 Positionnez les coquilles sur les oreilles.
- D:5 Maintenez les coquilles en position, placez la sangle sur votre tête et fixez-la bien.
- D:6 La sangle doit être placée au-dessus de la tête.

E:1-E:2 Montage du microphone pour la parole

Pour optimiser la performance du microphone pour la parole dans les zones bruyantes, placez le microphone très près de votre bouche (à moins de 3 mm ou 1/8 po).

REMARQUE : Lorsque vous utilisez le produit en altitude/dans un avion, la pression ambiante peut être réduite rapidement et affecter la sensibilité du microphone, par exemple lors de montée en hélicoptère. Si cela se produit, rapprochez le microphone et/ou parlez plus fort pour augmenter la pression sur la membrane du microphone.

MODE D'EMPLOI

Remplacement des piles (Fig 1)

- 1-2. Retirez les couvercles du compartiment à piles et insérez les piles (2 x AAA).
3. La polarité des piles doit correspondre au marquage dans le compartiment à piles.
4. Appuyez fermement sur les couvercles pour assurer une bonne étanchéité. Si le niveau des piles est faible, un message vocal indique « low battery » (niveau de pile faible) de manière répétée.

Mise sous tension et hors tension du casque d'écoute (Fig 2)

Appuyez sur le bouton [+] ou [-] et maintenez-le appuyé pendant environ deux secondes pour activer ou désactiver le casque. Un guide vocal confirme l'action. Le dernier réglage est mémorisé lors de la mise hors tension du headset.

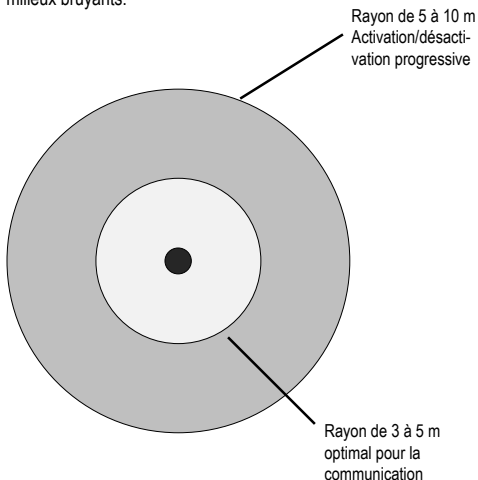
Coupure automatique au bout de 2 heures d'utilisation si aucune fonction n'est activée. Ceci est indiqué par un message vocal durant la dernière minute avant la coupure. Appuyez sur le bouton [+] ou [-] pour réinitialiser la temporisation de deux heures.

Réglage du volume (Fig 3)

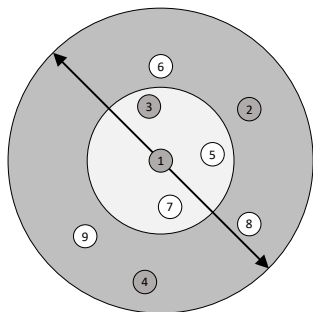
Appuyez sur [+] ou [-] pour régler le volume de l'écoute du son ambiant/environnant. Il y a quatre réglages de niveau ainsi que la possibilité de désactiver l'écoute du son ambiant/environnant. Les réglages maximum sont confirmés par un bip. Le mode d'écoute du son ambiant/environnant est confirmé par un message vocal.

Communication face à face via la technologie NIB

La fonction NIB permet une communication face à face en milieux bruyants.



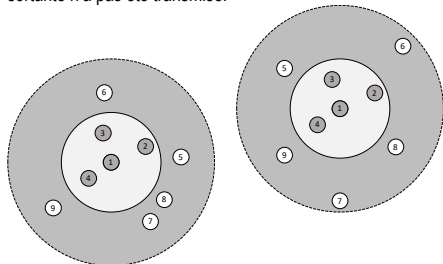
La technologie NIB permet une communication sans fil dans un rayon de 10 m. Communication en duplex intégral pour un maximum de quatre personnes dans ce périmètre.



Dans les environnements bruyants, rapprochez-vous simplement de la personne à qui vous souhaitez parler. La technologie NIB sera activée et désactivée en douceur (rayon de 5 à 10 m) et permettra de communiquer avec les personnes proches. Maintenez-vous dans un rayon de 3 à 5 m pour un signal de communication optimal.

Lorsque les quatre canaux de transmission en duplex intégral sont occupés (1-4), les autres utilisateurs peuvent toujours écouter mais ne peuvent pas émettre (5-9). La limite supérieure des auditeurs est limitée au nombre de personnes installées dans le rayon de 10 m plutôt que ce que la technologie permet.

REMARQUE : Lorsque plus de quatre utilisateurs tentent d'émettre via NIB, le 5ème utilisateur et au-delà qui essaient d'émettre entendront des bips, indiquant que la communication sortante n'a pas été transmise.



Le groupe NIB auquel vous appartenez dépend de l'endroit où se trouvent les autres casques NIB.

La fonction NIB fonctionne lorsque le niveau de bruit ambiant dépasse env. 80 dB et lorsque le bruit est continu pendant env. 1 seconde.

NIB fonctionne également à moins de 80 dB si l'utilisateur appuie sur la touche PTT en mode PTT ou VOX.

Activation de NIB (Fig 7)

Appuyez rapidement deux fois sur la touche PTT pour basculer entre NIB PTT ON/NIB OFF/NIB VOX ON.

Maintenez le bouton NIB PTT enfoncé pour permettre des communications dans un rayon de 10 m en mode NIB VOX ON et en mode NIB PTT ON.

NIB VOX ON - Dans ce mode, des niveaux de bruit élevés activent la radio NIB et permettent des communications VOX de quatre utilisateurs au maximum. Appuyer sur le bouton PTT en mode VOX ON permet également une communication silencieuse.

Lorsque le casque fonctionne dans un environnement avec un bruit intermittent, le bruit peut activer NIB VOX à plusieurs reprises. Dans cette situation, vous pouvez utiliser NIB PTT ON.

NIB PTT ON - Dans ce mode, vous devez appuyer sur le bouton PTT pour émettre.

NIB OFF - Ce mode DÉACTIVE la radio NIB. En mode NIB OFF, aucun signal RF n'est émis par la radio NIB.

Push-to-talk (bouton appuyer-pour-parler) pour NIB (Fig. 8)

Appuyez et maintenez le PTT sur la coquille gauche pour transmettre sur le NIB.

Entrer dans le menu (Fig. 4)

1. Appuyez et maintenez le bouton [+] ou [-] pour entrer dans le menu. Une voix confirme l'action.
2. Appuyez brièvement sur le bouton [-] pour naviguer dans le menu. Les étapes du menu sont énumérées ci-dessous.
3. Le bouton [+] permet de changer le réglage et, le cas échéant, de faire défiler les réglages disponibles. Un message vocal confirme chaque étape, suivi par le réglage actuel. Les changements sont également confirmés par un message vocal. Après quelques secondes d'inactivité, le menu revient au mode volume. En appuyant sur [+] et [-], le réglage du volume peut être obtenu instantanément à n'importe quelle étape du menu.

Ambient/Environmental listening mode (Mode d'écoute ambiant/environnant)

Le mode d'écoute ambiant/environnant est disponible en mode classique et en mode avancé. Le mode classique vous permet de régler le volume en quatre étapes en augmentant ou en diminuant le niveau sonore de l'écoute du son ambiant/environnant. Le mode avancé comprend quatre paramètres prédéfinis optimisés pour différents profils sonores.

Réglage	Usage prévu
Mode avancé 1 (Confort)	Pour le confort dans un environnement très bruyant.
Mode avancé 2 (Conversation)	Pour une expérience audio naturelle lorsqu'une protection contre les bruits soudains est requise.
Mode avancé 3 (Ronde)	Pour une meilleure conscience de la situation lors de déplacement dans un environnement peu bruyant.
Mode avancé 4 (Observation)	Pour une forte conscience de la situation dans un environnement calme.

Battery (Pile/batterie)

Choisissez le type de batterie que vous utilisez dans votre casque, alcaline ou rechargeable.

Wireless input (Entrée sans fil)

1. Suivez les instructions de l'utilisateur pour le 3M™ PELTOR™ TEP-LOOP- * pour configurer le collier inductif.
2. Accédez au menu du casque pour régler l'entrée sans fil et la sensibilité pour correspondre au collier inductif connecté. Choisissez Off/Low/Medium/High (Arrêt/Bas/Moyen/Haut).
3. Réglez le volume sur la radio externe si nécessaire.

REMARQUE : Le volume peut différer en fonction de la distance entre le casque et le collier inductif.

Wired input (Entrée filaire)

Réglez l'entrée filaire et la sensibilité pour qu'elles correspondent au périphérique câblé. Choisissez Low/High (Bas/Haut).

Balance

Le réglage de la balance ajuste le volume entre l'oreille droite et gauche. Sept réglages sont possibles : Center (Centre), Left 1 (Gauche 1), Left 2 (Gauche 2), Max left (Gauche max), Max right (Droit max), Right 2 (Droit 2), Right 1 (Droit 1).

Warning signals (Signaux d'avertissement)

Le réglage du signal d'avertissement désactive/active les signaux d'alarme « low battery » (pile faible) et « automatic power off » (coupure automatique). Lorsqu'il est éteint, aucun de ces signaux d'avertissement n'est audible.

Automatic power off (Arrêt automatique)

Le réglage de mise hors tension automatique désactive/active la fonction coupure automatique.

NIB frequency (Fréquence NIB)

Pour l'Amérique du Nord, l'Australie et la Nouvelle-Zélande, la fréquence de NIB est de 915 MHz.

Pour l'Europe, la fréquence de NIB est de 864 MHz.

Choisissez la fréquence NIB, 864 MHz (EU) ou 915 MHz (NA, ANZ). Appuyez sur [+] pour sélectionner et appuyez et maintenez [+] pour confirmer votre sélection.

REMARQUE : Assurez-vous que vous utilisez la fréquence approuvée pour la région dans laquelle vous évoluez.

Factory reset (Réinitialisation aux réglages d'usine)

Remet tous les réglages de menu aux valeurs d'usine par défaut. Ce paramètre doit être confirmé en appuyant sur [+] quand la voix dit « confirm factory reset » (Confirmer réinitialisation d'usine).

DÉPANNAGE POUR NIB

Problème	Causes possibles	Remède
Le casque émet un signal sonore lors de la transmission.	Canal NIB occupé par quatre personnes.	Attendez une place disponible.
Le casque émet un signal sonore lors de la transmission.	Aucun autre casque dans le périmètre.	Assurez-vous qu'un autre casque est utilisé dans le périmètre.
Impossible d'entendre ou de communiquer avec les autres.	Vous n'utilisez pas la fréquence NIB correcte pour la région dans laquelle vous évoluez.	Choisissez la fréquence NIB correcte dans le menu. Voir Fréquence NIB.
Impossible d'entendre ou de communiquer avec les autres.	La fonction NIB n'est pas activée.	Basculer entre les différents modes avec le bouton PTT. Voir Activation de NIB.

NETTOYAGE ET ENTRETIEN

Nettoyez régulièrement les coquilles, le serre-tête et les anneaux d'élasticité à l'aide de savon et d'eau chaude.

REMARQUE : NE PAS immerger les protections auditives dans l'eau. Si la protection auditive est mouillée par la pluie ou la transpiration, tourner les coquilles vers l'extérieur, retirer les coussinets et les rembourrages en mousse, et laisser sécher avant de les remonter. Les coussinets et les rembourrages en mousse peuvent se détériorer avec le temps et devront être examinés fréquemment, afin de détecter tout signe de fissure ou de dommage. 3M recommande de remplacer les rembourrages et les coussinets au moins deux fois par an, afin de maintenir des niveaux de réduction du bruit, d'hygiène et de confort uniformes. Si un coussinet est endommagé, il devra être remplacé. Voir la section Pièces de rechange ci-dessous.

REMPLACEMENT DES COUSSINETS D'OREILLE

F:1 Pour retirer le coussinet d'oreille, glissez vos doigts sous le bord interne du coussinet et tirez fermement droit vers vous.

F:2 Retirez la/les doublure(s) en place et montez de nouvelle(s) doublure(s).

F:3 Fixez ensuite un côté du coussinet dans la rainure de la coquille, puis appuyez sur le côté opposé jusqu'à ce que le coussinet se mette en place.

APPLICATION DU RUBAN PROTECTEUR POUR MICRO

Utilisez une protection pour microphone HYM1000 afin de protéger le microphone de l'humidité et de la saleté.

Fixation de la protection (Fig. G) :

G:1 Utilisez une paire de ciseaux pour couper 100 mm de ruban adhésif. Retirez le papier protecteur.

G:2 Placez le microphone à l'extrémité du ruban comme indiqué sur l'image.

G:3 Pliez le ruban protecteur et assurez-vous que le microphone

est couvert.

G:4 Appuyez fermement pour sceller le ruban protecteur.

G:5 Le microphone est maintenant prêt à être utilisé.

PIÈCES DE RECHANGE ET ACCESSOIRES

3M™ PELTOR™ HY68 SV Kit d'hygiène

Kit d'hygiène facilement remplaçable. À remplacer tous les six mois au moins pour assurer un niveau constant d'atténuation, d'hygiène et de confort.

3M™ PELTOR™ HY80-EU Kit d'hygiène, coussin rempli de gel

3M™ PELTOR™ HY100A Protections à usage unique

Protection à usage unique qui se fixe facilement sur les coussinets.

3M™ PELTOR™ MT73 Microphone étanche à l'eau

Microphone pour la parole dynamique et étanche à l'eau.

3M™ PELTOR™ M171/2 Protection antivent pour microphone

3M™ PELTOR™ HYM1000 Protection de microphone

Protection hygiénique étanche au vent et à l'humidité. Protège le microphone et augmente sa durée de vie.

3M™ PELTOR™ M60/2 Protection des microphones

périphériques contre le sifflement du vent

3M™ PELTOR™ HY450/1 Coussin

À utiliser avec les petites tailles de serre-tête pliable.

3M™ PELTOR™ LR03NM Pile AAA NiMH

GARANTIE ET LIMITE DE RESPONSABILITÉ

GARANTIE : Dans le cas où tout produit de 3M Personal Safety Division est jugé défectueux en raison d'un vice de matière ou de fabrication, ou non conforme à toute garantie expresse concernant une utilisation spécifique, la seule obligation de 3M et votre seul recours exclusif est, à la discrétion de 3M, la réparation, le remplacement ou le remboursement du prix d'achat des pièces ou des produits concernés, selon la notification effectuée par vous en temps opportun et la justification que le produit a été stocké, entretenu et utilisé conformément aux instructions écrites de 3M. SAUF SI LA LOI L'INTERDIT, CETTE GARANTIE EST EXCLUSIVE ET TIENT LIEU DE TOUTE AUTRE GARANTIE EXPRESSE OU IMPLICITE DE QUALITÉ MARCHANDE, D'ADÉQUATION À UN USAGE PARTICULIER OU DÉCOULANT D'UNE TRANSACTION, D'UNE UTILISATION OU D'UNE PRATIQUE COMMERCIALE, À L'EXCEPTION DES DROITS DE PROPRIÉTÉ ET CONTRE LA VIOLATION DU BREVET. Dans le cadre de cette garantie, 3M n'a aucune obligation en cas de produits défectueux par suite d'un stockage, d'une manipulation ou d'une maintenance inadéquate ou inadaptée ; en cas de non-application des instructions relatives aux produits ; de modification ou de dommage causé au produit par accident, négligence ou mauvaise utilisation.

LIMITATION DE RESPONSABILITÉ : SAUF SI LA LOI

L'INTERDIT, 3M NE SERA EN AUCUN CAS TENU RESPONSABLE POUR LES PERTES OU DOMMAGES DIRECTS, INDIRECTS, SPÉCIAUX OU CONSÉCUTIFS (Y COMPRIS LES PERTES DE PROFITS) DU FAIT DU PRODUIT, QUEL QUE SOIT L'ARGUMENT JURIDIQUE AVANCÉ. LES RECOURS LÉGAUX DÉFINIS PAR LE PRÉSENT DOCUMENT SONT EXCLUSIFS.

AUCUNE MODIFICATION : Les modifications apportées à cet appareil ne doivent pas être faites sans le consentement écrit de 3M Company. Les modifications non autorisées peuvent annuler l'autorisation accordée en vertu des règlements sur la communication permettant le fonctionnement de ce dispositif.

REMARQUE :

- Ne pas mélanger des piles/batteries anciennes avec des neuves.
- Ne pas mélanger des piles/batteries alcalines, standard ou rechargeables.
- Pour l'élimination correcte des piles/batteries, veuillez observer les règlements locaux concernant l'élimination des déchets solides.
- N'utilisez que des piles AAA non rechargeables ou NiMH rechargeables (selon le cas).

3M™ PELTOR™ ComTac™ VI NIB Headset MT20H682**.*N**

ΕΙΣΑΓΩΓΗ

Συγχαρητήρια και σας ευχαριστούμε που επιλέξατε σύστημα επικοινωνίας 3M™ PELTOR™! Καλώς ορίσατε στην επόμενη γενιά της προστατευτικής επικοινωνίας.

ΠΡΟΒΛΕΠΟΜΕΝΗ ΧΡΗΣΗ

Σκοπός αυτών των εγχειριδίων μικροφώνου-ακουστικών 3M™ PELTOR™ είναι να παρέχουν προστασία από τις επικίνδυνες στάθμες θορύβου και τους δυνατούς ήχους, ενώ παράλληλα επιτρέπουν στο χρήστη να ακούει τι γίνεται στο γύρω χώρο από τα μικρόφωνα περιβάλλοντος/γύρω χώρου, να ακούει συνδεδεμένες συσκευές επικοινωνίας και να επικοινωνεί πρόσωπο με πρόσωπο με την ενσωματωμένη τεχνολογία NIB (Natural Interaction Behavior) με υψηλές στάθμες σταθερού θορύβου. Είναι σκόπιμο όλοι οι χρήστες να διαβάσουν και να κατανοήσουν τις παρεχόμενες οδηγίες χρήστη καθώς και να εξοικειωθούν με τη χρήση της παρούσας συσκευής.

ΣΗΜΑΝΤΙΚΟ

Διαβάστε, κατανοήστε και τηρείτε όλες τις πληροφορίες ασφαλείας που περιλαμβάνονται σε αυτές τις οδηγίες, πριν από τη χρήση. Φυλάξτε αυτές τις οδηγίες για μελλοντική χρήση. Για πρόσθετες πληροφορίες ή τυχόν ερωτήσεις, επικοινωνήστε με την Τεχνική Υπηρεσία της 3M (τα στοιχεία επικοινωνίας αναφέρονται στην τελευταία σελίδα).



ΠΡΟΕΙΔΟΠΟΙΗΣΗ

Αυτό το προστατευτικό ακοής συμβάλλει στη μείωση της έκθεσης σε επικίνδυνο θόρυβο και άλλους δυνατούς ήχους. Η εσφαλμένη χρήση ή η παράλειψη χρήσης προστατευτικού ακοής κατά την έκθεση σε επικίνδυνο θόρυβο ενδέχεται να προκαλέσει απώλεια ή βλάβη της ακοής. Για τη σωστή χρήση, συμβουλευτείτε τον προϊστάμενο και τις Οδηγίες χρήστη ή καλέστε την Τεχνική Υπηρεσία της 3M. Αν οι ήχοι που ακούτε σας φαίνονται υπόκωφοι ή αν ακούτε κουδουνίσματα ή βουητά κατά τη διάρκεια ή μετά την έκθεση σε θόρυβο (και σε πυροβολισμό) ή αν, για οποιονδήποτε λόγο, υποψιαστείτε ότι υπάρχει πρόβλημα ακοής, εγκαταλείψτε αμέσως το θορυβώδη χώρο και συμβουλευτείτε επαγγελματία του χώρου της υγείας και/ή τον προϊστάμενό σας.

Αν δεν τηρηθούν αυτές οι οδηγίες, ενδέχεται να προκληθεί σοβαρός τραυματισμός ή θάνατος:

- Η ακρόαση μουσικής ή τυχόν άλλη ηχητική επικοινωνία ενδέχεται να μειώσει την επίγνωση που έχετε για την κατάσταση σας και την ικανότητά σας να ακούτε προειδοποιητικά σήματα. Παραμείνετε σε εγρήγορση και ρυθμίστε την ένταση του ήχου στην κατάλληλη αποδεκτή στάθμη. Τα προειδοποιητικά σήματα σε ορισμένους χώρους εργασίας ενδέχεται να μην γίνονται εύκολα αντιληπτά όταν χρησιμοποιείται η διάταξη ψυχαγωγίας.
- Για να μειωθούν οι κίνδυνοι που σχετίζονται με την πρόκληση έκρηξης, μη χρησιμοποιήσετε το παρόν προϊόν σε εκρηξιμη ατμόσφαιρα.

Αν δεν τηρηθούν αυτές οι οδηγίες, ενδέχεται να υποβαθμιστεί η προστασία που παρέχει το προστατευτικό ακοής και να προκληθεί απώλεια ακοής:

- Από την έρευνα προκύπτει ότι οι χρήστες ενδέχεται να

δέχονται μικρότερη μείωση θορύβου σε σχέση με αυτήν που επισημαίνεται από την ή τις τιμές εξασθένησης που δηλώνονται στη συσκευασία εξαιτίας αποκλίσεων στην εφαρμογή, την επιδεξιότητα κατά την τοποθέτηση και τα κίνητρα του χρήστη. Για οδηγίες σχετικά με τον τρόπο ρύθμισης των τιμών ετικέτας και την εκτίμηση της εξασθένησης ανατρέξτε στους ισχύοντες κανονισμούς. Επιπλέον, η 3M συνιστά ιδιαίτερα τη δοκιμαστική εφαρμογή των προστατευτικών ακοής.

- Βεβαιωθείτε ότι το προστατευτικό ακοής έχει επιλεγεί, τοποθετηθεί, ρυθμιστεί και συντηρηθεί σωστά. Η ακατάλληλη εφαρμογή αυτής της συσκευής μείνει την αποτελεσματικότητά της ως προς την εξασθένηση του θορύβου. Για τη σωστή εφαρμογή συμβουλευτείτε τις εσωκλειόμενες οδηγίες.
- Επιθεωρείτε το προστατευτικό ακοής πριν από κάθε χρήση. Αν έχει υποστεί ζημιά, επιλέξτε άθικτο προστατευτικό ακοής ή αποφύγετε το θορυβώδες περιβάλλον.
- Αν απαιτούνται πρόσθετα μέσα ατομικής προστασίας (π.χ. γυαλιά ασφαλείας, αναπνευστικές συσκευές κτλ.), επιλέξτε εύκαμπτους βραχιόνες ή λουράκια χαμηλού προφίλ που επηρεάζουν στο ελάχιστο το μαξιλαράκι του προστατευτικού ακοής. Απομακρύνετε κάθε περιτόπιο στοιχείο (π.χ. μαλλιά, καπέλα, κοσμήματα, ακουστικά κεφαλής, καλύμματα υγιεινής κτλ.) που ενδέχεται να επηρεάσει τη στεγανοποίηση του μαξιλαριού του προστατευτικού ακοής και να υποβαθμίσει την προστασία του προστατευτικού ακοής.
- Μη λυγίζετε ή αλλάζετε το σχήμα του τόξου στήριξης ή του τόξου σβέρκου, και βεβαιωθείτε ότι το προστατευτικό ακοής στηρίζεται σταθερά στη σωστή θέση.
- Τα προστατευτικά ακοής, και ιδιαίτερα τα μαξιλαράκια, ενδέχεται να φθαρούν με τη χρήση και θα πρέπει να εξετάζονται συχνά, π.χ. για τυχόν ρωγμές και διαρροές. Όταν χρησιμοποιούνται τακτικά, αντικαθιστάτε τα μαξιλαράκια και τις επενδύσεις από αφρολέξ τουλάχιστον δύο φορές το χρόνο, έτσι ώστε να εξασφαλίζεται σταθερή προστασία, υγιεινή και άνεση.
- Η έξοδος του ηλεκτρικού κυκλώματος ήχου αυτού του προστατευτικού ακοής ενδέχεται να υπερβαίνει το ημερήσιο όριο στάθμης θορύβου. Ρυθμίζετε την ένταση του ήχου στην κατάλληλη αποδεκτή στάθμη.
- Αν δεν ικανοποιηθούν οι ανωτέρω απαιτήσεις, η προστασία που παρέχουν τα προστατευτικά ακοής υποβαθμίζεται σημαντικά.

EN 352 Δηλώσεις ασφαλείας:

- Η έξοδος που εξαρτώμενου από τη στάθμη κυκλώματος αυτού του προστατευτικού ακοής ενδέχεται να υπερβαίνει την εξωτερική στάθμη θορύβου.
- Η τοποθέτηση καλυμμάτων υγιεινής στα μαξιλαράκια ενδέχεται να επηρεάσει την ακουστική απόδοση των προστατευτικών ακοής.
- Η απόδοση μειώνεται όσο φθείρονται οι μπαταρίες. Η αναμενόμενη συνήθης περίοδος συνεχούς χρήσης των μπαταριών των προστατευτικών ακοής είναι περίπου:
 - LDF και NIB: 30 ώρες
 - LDF: 50 ώρες
- Το προϊόν αυτό μπορεί να επηρεαστεί αρνητικά από ορισμένες χημικές ουσίες. Για περισσότερες πληροφορίες απευθυνθείτε στον κατασκευαστή.
- Αυτά τα προστατευτικά ακοής έχουν μικρό μέγεθος. Τα

προστατευτικά ακοής που συμμορφώνονται με το EN 352-1 έχουν μεσαίο, μικρό ή μεγάλο μέγεθος. Τα προστατευτικά ακοής μεσαίου μεγέθους εφαρμόζουν στους περισσότερους χρήστες. Τα προστατευτικά ακοής μικρού ή μεγάλου μεγέθους σχεδιάστηκαν για χρήστες για τους οποίους δεν είναι κατάλληλα τα προστατευτικά ακοής μεσαίου μεγέθους.

- Το προϊόν δεν είναι κατάλληλο για υψηλές, συνεχείς στάθμες θορύβου χαμηλών συχνότητων.

ΠΡΟΣΟΧΗ:

- Κίνδυνος έκρηξης σε περίπτωση αντικατάστασης της μπαταρίας από μπαταρία εσφαλμένου τύπου.
- Χρησιμοποιείτε πάντοτε ανταλλακτικά της 3M ειδικά για κάθε προϊόν. Η χρήση μη εγκεκριμένων ανταλλακτικών ενδέχεται να υποβαθμίσει την προστασία που σας παρέχει το προϊόν.

ΣΗΜΕΙΩΣΗ

- Όταν χρησιμοποιείται σύμφωνα με τις Οδηγίες χρήση, το παρόν προστατευτικό ακοής συμβάλλει στη μείωση της έκθεσης τόσο σε συνεχείς θορύβους, όπως βιομηχανικούς θορύβους και θορύβους από οχήματα και αεροσκάφη, όσο και σε πολύ δυνατούς παλμικούς θορύβους, όπως πυροβολισμούς. Είναι δύσκολο να προβλεφθεί η απαιτούμενη και/ή η πραγματική ακουστική προστασία που επιτυγχάνεται κατά την έκθεση σε παλμικούς θορύβους. Όσον αφορά στους πυροβολισμούς, ο τύπος του όπλου, το πλήθος των πυροβολισμών, η σωστή επιλογή, εφαρμογή και χρήση προστατευτικού ακοής, η σωστή φροντίδα του προστατευτικού ακοής και άλλες μεταβλητές επηρεάζουν την απόδοση. Για να μάθετε περισσότερα για την ακουστική προστασία από παλμικούς θορύβους, επισκεφθείτε τον ιστότοπο www.3M.com/hearing.
- Το συγκεκριμένο προστατευτικό ακοής παρέχεται με εξασθένιση που προσαρμόζεται στη στάθμη θορύβου. Ο χρήστης θα πρέπει να ελέγχει αν λειτουργεί σωστά πριν από τη χρήση. Σε περίπτωση που εντοπίσει παραμόρφωση ή βλάβη, θα πρέπει να ζητήσει τη συμβουλή του κατασκευαστή σχετικά με τη συντήρηση και την αντικατάσταση της μπαταρίας.
- Το συγκεκριμένο προστατευτικό ακοής παρέχεται με ηλεκτρική είσοδο ήχου. Ο χρήστης θα πρέπει να ελέγχει αν λειτουργεί σωστά πριν από τη χρήση. Σε περίπτωση που εντοπίσει παραμόρφωση ή βλάβη, θα πρέπει να ζητήσει τη συμβουλή του κατασκευαστή.
- Εύρος τιμών θερμοκρασίας λειτουργίας: -20°C έως 55°C
- Εύρος τιμών θερμοκρασίας αποθήκευσης: -20°C έως 55°C
- Βάρος του προστατευτικού ακοής:
MT20H682FB-**N** = 340 g, MT20H682BB-**N** = 313 g, MT20H682FB-**N**(HY80) = 379 g.
- Διάρκεια ζωής: 5 χρόνια, εξαιρουμένων των μπαταριών.

ΕΓΚΡΙΣΕΙΣ

Η 3M Svenska AB δηλώνει με το παρόν ότι η συσκευή ραδιοεπικοινωνίας συμμορφώνεται με την οδηγία 2014/53/EE και άλλες αντίστοιχες οδηγίες, έτσι ώστε να εκπληρώνει τις απαιτήσεις για τη σήμανση CE. Η 3M Svenska AB δηλώνει επίσης ότι το σετ μικροφώνου-ακουστικών τύπου ΜΑΡ συμμορφώνεται με τον κανονισμό 2016/425 της ΕΕ ή με την οδηγία 89/686/ΕΟΚ της Ευρωπαϊκής Κοινότητας.

Η ισχύουσα νομοθεσία μπορεί να προσδιοριστεί με έλεγχο της Δήλωσης συμμόρφωσης στον ιστότοπο www.3M.com/peltor/doc. Η δήλωση συμμόρφωσης αναφέρει επίσης αν ισχύουν και άλλες εγκρίσεις τύπου. Κατά την ανάκτηση της δήλωσης συμμόρφωσης, εντοπίστε τον κωδικό των προϊόντων σας. Μπορείτε να βρείτε τον κωδικό προϊόντων των προστατευτικών ακοής στο κάτω μέρος του ενός ακουστικού. Μπορείτε να δείτε ένα παράδειγμα στην παρακάτω εικόνα.



Τα ΜΑΡ (αν πρόκειται για προϊόντα Κατηγορίας III) ελέγχονται κάθε χρόνο και λαμβάνουν έγκριση τύπου από το Finnish Institute of Occupational Health (Φινλανδικό Ινστιτούτο Υγείας στην Εργασία), αρ. κοινοποιημένου οργανισμού 0403, Torveliuskenkatu 41 b, FI-00250 Helsinki, Φινλανδία. Το προϊόν έχει ελεγχθεί και εγκριθεί σύμφωνα με τα πρότυπα EN 352-1:2002, EN 352-4:2001/A1:2005, EN 352-6:2002.

Μπορείτε, επίσης, να προμηθευτείτε ένα αντίγραφο της δήλωσης συμμόρφωσης και πρόσθετες πληροφορίες που απαιτούνται στις οδηγίες επικοινωνώντας με την 3M στη χώρα αγοράς. Για τα στοιχεία επικοινωνίας ανατρέξτε στις τελευταίες σελίδες αυτών των οδηγιών χρήστη.



Το προϊόν αυτό περιέχει ηλεκτρικά και ηλεκτρονικά εξαρτήματα, και δεν πρέπει να απορριπτείται κατά την τυπική αποκομιδή απορριμμάτων. Συμβουλευτείτε τις τοπικές οδηγίες σχετικά με την απόρριψη ηλεκτρικού και ηλεκτρονικού εξοπλισμού.

ΕΡΓΑΣΤΗΡΙΑΚΗ ΕΞΑΣΘΕΝΗΣΗ

Ο βαθμός εξασθένησης (SNR) μετρήθηκε με τη συσκευή απενεργοποιημένη. Επεξήγηση των πινάκων εξασθένησης:

Ευρωπαϊκό Πρότυπο EN 352

Από την έρευνα προκύπτει ότι οι χρήστες ενδέχεται να δέχονται μικρότερη μείωση θορύβου σε σχέση με αυτή που επισημαίνεται από την ή τις τιμές εξασθένησης που δηλώνονται στη συσκευασία εξαιτίας αποκλίσεων στην εφαρμογή, την επιδεξιότητα κατά την τοποθέτηση και τα κίνητρα του χρήστη. Για οδηγίες σχετικά με τον τρόπο ρύθμισης των τιμών ετικέτας και την εκτίμηση της εξασθένησης ανατρέξτε στους ισχύοντες κανονισμούς. Επιπλέον, η 3M συνιστά ιδιαίτερως τη δοκιμαστική εφαρμογή των προστατευτικών ακοής.

A:1 Συχνότητα (Hz)

A:2 Μέση εξασθένιση (dB)

A:3 Τυπική απόκλιση (dB)

A:4 Θεωρητική τιμή προστασίας, APV (dB)

A:5

H = Εκτίμηση ακουστικής προστασίας για ήχους υψηλής συχνότητας ($f \geq 2.000$ Hz).

M = Εκτίμηση ακουστικής προστασίας για ήχους μεσαίας συχνότητας ($500 \text{ Hz} < f < 2.000$ Hz).

L = Εκτίμηση ακουστικής προστασίας για ήχους χαμηλής συχνότητας ($f \leq 500$ Hz).

A:6 Επίπεδο κριτηρίου

H = Επίπεδο κριτηρίου για θόρυβο υψηλών συχνοτήτων

M = Επίπεδο κριτηρίου για θόρυβο μεσαίων συχνοτήτων

L = Επίπεδο κριτηρίου για θόρυβο χαμηλών συχνοτήτων

A:7 Ευρωπαϊκό Πρότυπο EN 352-6 Στάθμες εισόδου εξωτερικού ήχου

A:8 Στάθμη σήματος εισόδου U (mV, RMS)

A:9 Μέση στάθμη ηχητικής πίεσης (dB(A))

A:10 Τυπική απόκλιση ηχητικής πίεσης (dB)

A:11 Στάθμη σήματος εισόδου για την οποία η μέση συν μία τυπική απόκλιση ισούται με 82 dB(A)

B) Πρότυπο AS/NZS 1270:2002 Αυστραλίας/Νέας Ζηλανδίας

B:1 Συχνότητες δοκιμής

B:2 Μέση εξασθένιση, Mean Att

B:3 Τυπική απόκλιση, St Dev

B:4 Μέση πλην τυπικής

ΕΞΑΡΤΗΜΑΤΑ

C:1 Αναδιπλούμενο τόξο στήριξης

C:2 Βραχίονας στήριξης ακουστικού

C:3 Δετήρες δύο σημείων

C:4 Ακουστικό

C:5 Καπάκι θήκης μπαταριών

C:6 Μικρόφωνο για ακρόαση των ήχων περιβάλλοντος/γύρω χώρου

C:7 Παρέμβυσμα απόσβεσης

C:8 Μαξιλάρκι

C:9 Καλώδια εξωτερικής εισόδου (μόνο σε συγκεκριμένα μοντέλα)

C:10 Μικρόφωνο ομιλίας (μόνο σε συγκεκριμένα μοντέλα)

C:11 Τόξο σβέγκου

C:12 Εισόδοξο μικροφώνου ομιλίας (J22) (μόνο σε συγκεκριμένα μοντέλα)

C:13 Κουμπί [-] στο πληκτρολόγιο

C:14 Κουμπί [+] στο πληκτρολόγιο

C:15 Κουμπί NIB PTT

ΟΔΗΓΙΕΣ ΕΦΑΡΜΟΓΗΣ

Τόξο στήριξης

D:1 Επεκτείνετε τα ακουστικά και κλίνετε το επάνω τμήμα του περιβλήματος προς τα έξω, δεδομένου ότι το καλώδιο πρέπει να βρίσκεται έξω από το τόξο στήριξης.

D:2 Ρυθμίστε το ύψος των περιβλημάτων μετακινώντας τα πάνω ή κάτω, κρατώντας ταυτόχρονα το τόξο στήριξης στη θέση του.

D:3 Το τόξο στήριξης θα πρέπει να βρίσκεται στο πάνω μέρος του κεφαλιού, όπως εικονίζεται, και θα πρέπει να στηρίζει το βάρος του σετ μικροφώνου ακουστικών.

Τόξο σβέγκου

D:4 Τοποθετήστε τα ακουστικά στη σωστή θέση πάνω στα αυτιά.

D:5 Διατηρήστε σταθερά τα ακουστικά στη σωστή θέση και τοποθετήστε τον ιμάντα κεφαλιού πάνω στο κεφάλι σας και σφίξτε τον.

D:6 Ο ιμάντας κεφαλιού θα πρέπει να βρίσκεται στο πάνω μέρος του κεφαλιού σας.

E:1-E:2 Εφαρμογή του μικροφώνου ομιλίας

Για να μεγιστοποιηθεί η απόδοση του μικροφώνου ομιλίας σε θορυβώδεις περιοχές, τοποθετείτε το μικρόφωνο ομιλίας πολύ κοντά στο στόμα σας (λιγότερο από 3 mm ή 1/8 ίντσας).

ΣΗΜΕΙΩΣΗ: Αν χρησιμοποιηθεί σε μεγάλο υψόμετρο/στην αεροπολία, η εξωτερική πίεση μπορεί να μειωθεί γρήγορα και να επηρεαστεί η ευαισθησία του μικροφώνου, για παράδειγμα κατά την απογείωση ελικοπτερου. Σε τέτοια περίπτωση, τοποθετήστε το μικρόφωνο πιο κοντά καλή μιλήστε πιο δυνατά, για να αυξηθεί η πίεση στη μεμβράνη του μικροφώνου.

ΟΔΗΓΙΕΣ ΛΕΙΤΟΥΡΓΙΑΣ

Αντικατάσταση των μπαταριών (Εικ. 1)

1-2. Αφαιρέστε το καπάκι της θήκης μπαταριών και τοποθετήστε τις μπαταρίες (2xAAA).

3. Η πολικότητα των μπαταριών πρέπει να συμφωνεί με τη σήμανση στη θήκη μπαταριών.

4. Πιέστε το καπάκι προς τα κάτω μέχρι τέρμα για να βεβαιωθείτε ότι έχει κλείσει καλά. Η χαμηλή στάθμη φόρτισης των μπαταριών επισημαίνεται με το φωνητικό μήνυμα "low battery" (πεσμένη μπαταρία).

Ενεργοποίηση και απενεργοποίηση του σετ μικροφώνου-ακουστικών (Εικ. 2)

Πιέστε παρατεταμένα το κουμπί [+] ή το κουμπί [-] για 2 δευτερόλεπτα περίπου για να ενεργοποιηθεί ή να απενεργοποιηθεί το σετ μικροφώνου-ακουστικών. Ένας φωνητικός οδηγός θα επιβεβαιώσει. Η τρέχουσα ρύθμιση αποθηκεύεται πάντοτε κατά την απενεργοποίηση του σετ μικροφώνου-ακουστικών.

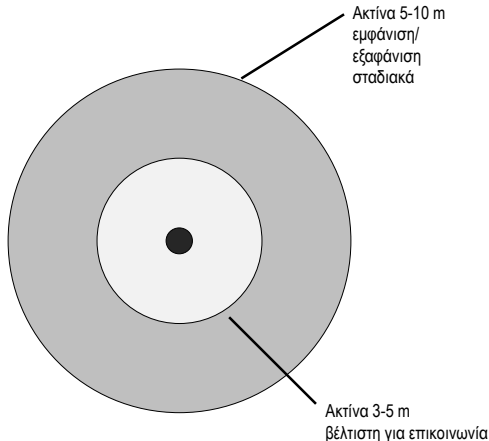
Το σετ μικροφώνου-ακουστικών απενεργοποιείται αυτόματα ύστερα από δύο ώρες αδράνειας. Αυτό επισημαίνεται από ένα φωνητικό μήνυμα το τελευταίο λεπτό πριν απενεργοποιηθεί το σετ μικροφώνου-ακουστικών. Πατήστε το κουμπί [+] ή το κουμπί [-] για να μηδενιστεί η περίοδος λήξης χρόνου των δύο ωρών.

Ρύθμιση της έντασης (Εικ. 3)

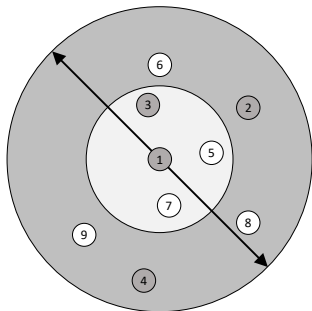
Πατήστε το [+] ή το [-] για να ρυθμίσετε την ένταση ακρόασης των ήχων περιβάλλοντος/γύρω χώρου. Υπάρχουν τέσσερα επίπεδα ρύθμισης, καθώς επίσης και η δυνατότητα απενεργοποίησης της ακρόασης των ήχων περιβάλλοντος/γύρω χώρου. Οι μέγ. τιμές ρύθμισης επιβεβαιώνονται από έναν ήχο μπιπ. Η λειτουργία απενεργοποίησης της ακρόασης των ήχων περιβάλλοντος/γύρω χώρου επιβεβαιώνεται από ένα φωνητικό μήνυμα.

Επικοινωνία πρόσωπο με πρόσωπο μέσω της τεχνολογίας NIB

Η τεχνολογία NIB επιτρέπει την επικοινωνία πρόσωπο με πρόσωπο εντός μικρής εμβέλειας σε θορυβώδες περιβάλλον.



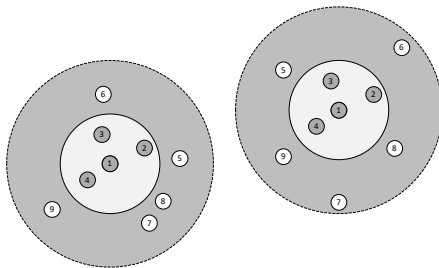
Η τεχνολογία NIB επιτρέπει την ασύρματη επικοινωνία εντός ακτίνας 10 m. Πλήρως αμφίδρομη επικοινωνία για έως και τέσσερα άτομα εντός αυτής της απόστασης.



Όταν το περιβάλλον είναι θορυβώδες, πλησιάστε απλώς το άτομο με το οποίο θέλετε να συνομιλήσετε. Η τεχνολογία NIB εμφανίζεται και εξαφανίζεται σταδιακά (ακτίνα 5-10 m) και επιτρέπει την επικοινωνία με άτομα που βρίσκονται κοντά. Παραμείνετε εντός ακτίνας 3-5 m για βέλτιστο σήμα επικοινωνίας.

Όταν τα τέσσερα πλήρως αμφίδρομα κανάλια εκπομπής είναι κατειλημμένα (1-4), οι υπόλοιποι χρήστες μπορούν να ακούνε, δεν μπορούν ωστόσο να εκπέμψουν ήχο (5-9). Το ανώτατο όριο ακροατών περιορίζεται στον αριθμό των ατόμων που χωρούν στην ακτίνα των 10 m παρά στον αριθμό των ατόμων που επιτρέπει η συγκεκριμένη τεχνολογία.

ΣΗΜΕΙΩΣΗ: Όταν πάνω από τέσσερις χρήστες επιχειρήσουν να εκπέμψουν ήχο μέσω NIB, ο 5ος χρήστης και κάθε επόμενο χρήστης που θα επιχειρήσει να εκπέμψει ήχο θα ακούσει ήχους μπιπ, γεγονός που επισημαίνει ότι δεν είναι δυνατή η μετάδοση εξερχόμενης επικοινωνίας.



Η ομάδα NIB στην οποία ανήκετε εξαρτάται από το που βρίσκεστε και από τη θέση των υπόλοιπων σετ μικροφώνου-ακουστικών NIB.

Η τεχνολογία NIB λειτουργεί όταν η στάθμη περιβαλλοντικού θορύβου υπερβαίνει τα 80 dB περίπου, και όταν ο θόρυβος είναι συνεχής για 1 δευτερόλεπτο περίπου.

Η τεχνολογία NIB λειτουργεί και με λιγότερο από 80 dB, αν ο χρήστης πατήσει το κουμπί PTT στη λειτουργία PTT ή στη λειτουργία VOX.

Ενεργοποίηση NIB (Εικ. 7)

Αν διπλοπατήσετε γρήγορα το κουμπί PTT, θα γίνει εναλλαγή μεταξύ NIB PTT ON/NIB OFF/NIB VOX ON.

Το παρατεταμένο πάτημα του κουμπιού NIB PTT επιτρέπει την επικοινωνία εντός της ακτίνας των 10 m ενώ βρίσκεστε στη λειτουργία NIB VOX ON και στη λειτουργία NIB PTT ON.

NIB VOX ON - Σε αυτήν τη λειτουργία, οι υψηλές στάθμες θορύβου θα ενεργοποιήσουν τη συσκευή ραδιοεπικοινωνίας NIB και θα επιτρέψουν την επικοινωνία VOX για έως και τέσσερις χρήστες. Το πάτημα του κουμπιού PTT στη λειτουργία VOX ON επιτρέπει και την επικοινωνία σε ήσυχο περιβάλλον.

Όταν το σετ μικροφώνου-ακουστικών λειτουργεί σε περιβάλλον με διακεκομμένο θόρυβο, ο θόρυβος μπορεί να ενεργοποιήσει επανειλημμένα τη λειτουργία NIB VOX. Σε αυτήν την περίπτωση, μπορείτε να χρησιμοποιήσετε τη λειτουργία NIB PTT ON.

NIB PTT ON - Σε αυτήν τη λειτουργία πρέπει να πατηθεί το κουμπί PTT για να γίνει εκπομπή.

NIB OFF - Η λειτουργία αυτή ΑΠΕΝΕΡΓΟΠΟΙΕΙ τη συσκευή ραδιοεπικοινωνίας NIB. Στη λειτουργία NIB OFF δεν εκπέμπεται σήμα RF από τη συσκευή ραδιοεπικοινωνίας NIB.

Push-to-talk για NIB (Εικ. 8)

Πέστε παρατεταμένα το κουμπί PTT στο αριστερό ακουστικό για εκπομπή μέσω NIB.

Είσοδος στο μενού (Εικ. 4)

1. Πέστε παρατεταμένα το κουμπί [+] και το κουμπί [-] για είσοδο στο μενού. Μια φωνή θα επιβεβαιώσει.
2. Πατήστε σύντομα το κουμπί [-] για να μετακινηθείτε στο μενού. Τα βήματα του μενού παρατίθενται πιο κάτω.

3. Χρησιμοποιήστε το κουμπί [+] για να αλλάξετε τη ρύθμιση και, αν είναι δυνατόν, για να μετακινήθετε στις διαθέσιμες ρυθμίσεις. Ένα φωνητικό μήνυμα επιβεβαιώνει κάθε βήμα, και ακολουθεί η τρέχουσα ρύθμιση. Οι αλλαγές επιβεβαιώνονται επίσης από ένα φωνητικό μήνυμα. Ύστερα από μερικά δευτερόλεπτα αδράνειας, το μενού επιστρέφει στη λειτουργία έντασης. Αν πατήσετε το [+] και το [-], είναι δυνατή η άμεση ρύθμιση της έντασης σε οποιοδήποτε στάδιο του μενού.

Ambient/Environmental listening mode (Λειτουργία ακρόασης ήχων περιβάλλοντος//γύρω χώρου)

Η λειτουργία ακρόασης ήχων περιβάλλοντος//γύρω χώρου είναι διαθέσιμη στην κλασική λειτουργία και στην προηγμένη λειτουργία. Η κλασική λειτουργία σας επιτρέπει να ρυθμίσετε την ένταση σε τέσσερα βήματα αυξάνοντας ή μειώνοντας τη στάθμη ήχου της ακρόασης ήχων περιβάλλοντος//γύρω χώρου. Η προηγμένη λειτουργία περιλαμβάνει τέσσερις προκαθορισμένες ρυθμίσεις που είναι βελτιστοποιημένες για διάφορα προφίλ ήχου.

Ρύθμιση	Προβλεπόμενη χρήση
Προηγμένη λειτουργία 1 (Ανεση)	Για άνεση σε πολύ θορυβώδες περιβάλλον.
Προηγμένη λειτουργία 2 (Συζήτηση)	Για εμπειρία φυσικού ήχου όπου η προσασία από απόσταση θορυβώδους θεωρείται απαραίτητη.
Προηγμένη λειτουργία 3 (Περιπολία)	Για υψηλή επίγνωση της κατάστασής σας, όταν βαδίζετε σε περιβάλλον με λίγο θόρυβο.
Προηγμένη λειτουργία 4 (Παρακολούθηση)	Για ιδιαίτερα υψηλή επίγνωση της κατάστασής σας σε ήσυχο περιβάλλον.

Battery (Μπαταρία)

Επιλέξτε τον τύπο μπαταριών που χρησιμοποιείτε στο σετ μικροφώνου-ακουστικών σας, αλκαλικές ή επαναφορτιζόμενες.

Wireless Input (Ασύρματη είσοδος)

1. Ακολουθήστε τις οδηγίες χρήση του 3M™ PELTOR™ TEP-LOOP-² για τη ρύθμιση του προσαρμογέα neck loop.
2. Μεταβείτε στο μενού του σετ μικροφώνου-ακουστικών και ρυθμίστε την ασύρματη είσοδο και την ευαισθησία ώστε να αντιστοιχούν στον συνδεδεμένο προσαρμογέα neck loop. Επιλέξτε Off (Απενεργοποίηση)//Low (Χαμηλή)//Medium (Μεσαία)//High (Υψηλή).
3. Ρυθμίστε την ένταση της εξωτερικής συσκευής ραδιοεπικοινωνίας, αν χρειάζεται.

ΣΗΜΕΙΩΣΗ: Η ένταση μπορεί να διαφέρει ανάλογα με την απόσταση που χωρίζει το σετ μικροφώνου-ακουστικών από τον προσαρμογέα neck loop.

Wired input (Ενσύρματη είσοδος)

Ρυθμίστε την ενσύρματη είσοδο και την ευαισθησία που αντιστοιχεί στην ενσύρματη συσκευή. Επιλέξτε Low (Χαμηλή)//High (Υψηλή).

Balance (Ισορροπία)

Η ρύθμιση της ισορροπίας καθορίζει την ισορροπία (balance) της έντασης μεταξύ δεξιού και αριστερού αυτιού. Υπάρχουν επτά επίπεδα ρύθμισης: Center (Κεντρικά), Left 1 (Αριστερά 1), Left 2 (Αριστερά 2), Max left (Τέρμα αριστερά), Max right (Τέρμα δεξιά), Right 2 (Δεξιά 2), Right 1 (Δεξιά 1).

Warning signals (Προειδοποιητικά σήματα)

Η ρύθμιση προειδοποιητικών σημάτων απενεργοποιεί/ενεργοποιεί τα προειδοποιητικά σήματα "low battery" (χαμηλή στάθμη μπαταρίας) και "automatic power off" (αυτόματη απενεργοποίηση). Όταν είναι απενεργοποιημένη, δεν ακούγεται κανένα από αυτά τα προειδοποιητικά σήματα.

Automatic power off (Αυτόματη απενεργοποίηση)

Η ρύθμιση αυτόματης απενεργοποίησης απενεργοποιεί/ενεργοποιεί τη λειτουργία αυτόματης απενεργοποίησης.

NIB frequency (Συχνότητα NIB)

Η συχνότητα NIB στη Βόρεια Αμερική, την Αυστραλία και τη Νέα Ζηλανδία είναι 915 MHz.

Η συχνότητα NIB στην Ευρώπη είναι 864 MHz.

Επιλέξτε τη συχνότητα NIB, 864 MHz (EE) ή 915 MHz (BA, A/NZ). Πατήστε το [+] για να επιλέξετε και πιάστε παρατεταμένα το [+] για να επιβεβαιώσετε την επιλογή σας.

ΣΗΜΕΙΩΣΗ: Χρησιμοποιήστε οπωσδήποτε την εγκεκριμένη συχνότητα για την περιοχή χρήσης του προϊόντος σας.

Factory reset (Επαναφορά εργοστασιακών τιμών)

Επαναφέρει τις ρυθμίσεις όλων των μενού στις εργοστασιακές προεπιλεγμένες τιμές. Η ρύθμιση αυτή πρέπει να επιβεβαιώνεται με πάτημα του κουμπιού [+] όταν ακούγεται το φωνητικό μήνυμα "confirm factory reset" (επιβεβαιώστε την επαναφορά των εργοστασιακών τιμών).

ΑΝΤΙΜΕΤΩΠΙΣΗ ΠΡΟΒΛΗΜΑΤΩΝ ΓΙΑ NIB

Πρόβλημα	Πιθανές αιτίες	Υπόδειξη
Το σετ μικροφώνου-ακουστικών εκπέμπει ήχους μπιπ κατά την εκπομπή.	Κανάλι NIB απασχολημένο από τέσσερα άτομα.	Περιμένετε για διαθέσιμο σημείο.
Το σετ μικροφώνου-ακουστικών εκπέμπει ήχους μπιπ κατά την εκπομπή.	Δεν υπάρχει άλλο σετ μικροφώνου-ακουστικών εντός ακτίνας.	Βεβαιωθείτε ότι υπάρχει άλλο σετ μικροφώνου-ακουστικών σε χρήση εντός ακτίνας.
Δεν είναι δυνατή η ακρόαση ή η επικοινωνία με άλλα άτομα.	Δεν χρησιμοποιείτε τη σωστή συχνότητα NIB για την περιοχή χρήσης του προϊόντος σας.	Επιλέξτε στο μενού τη σωστή συχνότητα NIB. Βλέπε Συχνότητα NIB.
Δεν είναι δυνατή η ακρόαση ή η επικοινωνία με άλλα άτομα.	Η τεχνολογία NIB δεν είναι ενεργοποιημένη.	Πραγματοποιήστε εναλλαγή των διαφόρων λειτουργιών με το κουμπί PTT. Βλέπε Ενεργοποίηση NIB.

ΚΑΘΑΡΙΣΜΟΣ ΚΑΙ ΣΥΝΤΗΡΗΣΗ

Χρησιμοποιήστε ένα πανί εμποτισμένο με σαπούνι και χλιαρό νερό για να καθαρίσετε τα εξωτερικά περιβλήματα, το τόξο στήριξης και τα μαζιλαράκια.

ΣΗΜΕΙΩΣΗ: ΜΗ βυθίζετε το προστατευτικό ακοής στο νερό. Αν

το προστατευτικό ακοής βραχεί με νερό της βροχής ή ιδρώτα, γυρίστε τα ακουστικά προς τα έξω, αφαιρέστε τα μαξιλαράκια και τις επενδύσεις από αφρολέξ και αφήστε τα να στεγνώσουν πριν τα επανατοποθετήσετε. Τα μαξιλαράκια και οι επενδύσεις από αφρολέξ ενδέχεται να φθαρούν με τη χρήση και θα πρέπει να εξετάζονται σε τακτά χρονικά διαστήματα για τυχόν ρωγμές ή άλλη ζημιά. Όταν χρησιμοποιούνται τακτικά, η 3M συνιστά να αντικαθίστανται τις επενδύσεις από αφρολέξ και τα μαξιλαράκια τουλάχιστον δύο φορές το χρόνο, έτσι ώστε να εξασφαλίζεται σταθερή εξασθένηση, υγιεινή και άνεση. Αν κάποιο μαξιλαράκι υποστεί ζημιά, θα πρέπει να αντικατασταθεί. Ανατρέξτε στην ενότητα Ανταλλακτικά πιο κάτω.

ΑΦΑΙΡΕΣΗ ΚΑΙ ΑΝΤΙΚΑΤΑΣΤΑΣΗ ΜΑΞΙΛΑΡΙΩΝ

F:1 Για να αφαιρέσετε το μαξιλαράκι, περάστε τα δάχτυλά σας κάτω από το εσωτερικό άκρο του μαξιλαριού και τραβήξτε ευθεία προς τα έξω.

F:2 Αφαιρέστε την ή τις επενδύσεις από αφρολέξ που ήδη υπάρχουν και τοποθετήστε καινούργια(ες).

F:3 Τοποθετήστε τη μία πλευρά του μαξιλαριού στην εγκοπή του ακουστικού και, στη συνέχεια, πιέστε την αντικριστή πλευρά μέχρι να κουμπώσει το μαξιλαράκι.

ΕΦΑΡΜΟΓΗ ΤΑΙΝΙΑΣ ΠΡΟΣΤΑΤΕΥΤΙΚΟΥ ΜΙΚΡΟΦΩΝΟΥ

Για να προστατέψετε το μικρόφωνο ομιλίας τύπου πρόβολου (boom) από την υγρασία και τη βρομιά, χρησιμοποιήστε το προστατευτικό μικροφώνου HYM1000.

Προσαρμογή του προστατευτικού (Εικ. G):

G:1 Κόψτε με ένα ψαλίδι 100 mm ταινία από το προστατευτικό μικροφώνου. Αφαιρέστε το προστατευτικό χαρτί.

G:2 Τοποθετήστε το μικρόφωνο στην άκρη της ταινίας, όπως φαίνεται στο σχήμα.

G:3 Διπλώστε την ταινία του προστατευτικού και βεβαιωθείτε ότι το μικρόφωνο καλύπτεται.

G:4 Πιέστε σφιχτά για να σφραγίσει η ταινία του προστατευτικού.

G:5 Το μικρόφωνο είναι πλέον έτοιμο για χρήση.

ΑΝΤΑΛΛΑΚΤΙΚΑ ΚΑΙ ΑΞΕΣΟΥΑΡ

3M™ PELTOR™ HY68 SV Kit υγιεινής

Kit υγιεινής που αντικαθίσταται. Να αντικαθίσταται τουλάχιστον δύο φορές το χρόνο, για να εξασφαλίζεται σταθερή εξασθένηση, υγιεινή και άνεση.

3M™ PELTOR™ HY80-EU Kit υγιεινής μαξιλαριών από γέλη

3M™ PELTOR™ HY100A Προστατευτικά μίας χρήσης

Προστατευτικό μίας χρήσης που τοποθετείται εύκολα στα μαξιλαράκια.

3M™ PELTOR™ MT73 Αδιάβροχο μικρόφωνο

Αδιάβροχο δυναμικό μικρόφωνο ομιλίας.

3M™ PELTOR™ M171/2 Προστατευτικό ανέμου για μικρόφωνο

3M™ PELTOR™ HYM1000 Προστατευτικό μικροφώνου

Ταινία που προστατεύει το μικρόφωνο ομιλίας από την υγρασία και τον άνεμο.

3M™ PELTOR™ M60/2 Προστατευτικό ανέμου για μικρόφωνα

γύρω χώρου

3M™ PELTOR™ HY450/1 Προστατευτικό κεφαλιού
Χρησιμοποιείται για την εφαρμογή αναδιπλούμενων τόξων στήριξης με μικρό μέγεθος.

3M™ PELTOR™ LR03NM Μπαταρία NiMH τύπου AAA

ΕΓΓΥΗΣΗ ΚΑΙ ΠΕΡΙΟΡΙΣΜΟΣ ΕΥΘΥΝΗΣ

ΕΓΓΥΗΣΗ: Σε περίπτωση που οποιοδήποτε προϊόν του Τμήματος Προσωπικής Ασφάλειας 3M διαπιστωθεί ότι είναι ελαττωματικό ως προς το υλικό ή την εργασία ή ότι δεν συμμορφώνεται με οποιαδήποτε ρητή εγγύηση για συγκεκριμένο σκοπό, η μοναδική υποχρέωση της 3M και το μόνο ένδικο μέσο θα είναι, κατ' επιλογή της 3M, η επιδιόρθωση, η αντικατάσταση ή η επιστροφή της τιμής αγοράς τέτοιων εξαρτημάτων ή προϊόντων κατόπιν έγκαιρης κοινοποίησης του προβλήματος από εσάς και τεκμηρίωσης ότι το προϊόν αποθηκεύτηκε, συντηρήθηκε και χρησιμοποιήθηκε σύμφωνα με τις γραπτές οδηγίες της 3M. ΕΚΤΟΣ ΑΠΟ ΤΙΣ ΠΕΡΙΠΤΩΣΕΙΣ ΠΟΥ ΑΠΑΓΟΡΕΥΕΤΑΙ ΔΙΑ ΝΟΜΟΥ, Η ΠΑΡΟΥΣΑ ΕΓΓΥΗΣΗ ΕΙΝΑΙ ΑΠΟΚΛΕΙΣΤΙΚΗ ΚΑΙ ΑΝΤΙΚΑΘΙΣΤΑ ΟΠΟΙΟΔΗΠΟΤΕ ΡΗΤΗ Ή ΣΙΩΠΗΡΗ ΕΓΓΥΗΣΗ ΕΜΠΟΡΕΥΣΙΜΟΤΗΤΑΣ, ΚΑΤΑΜΛΗΛΟΤΗΤΑΣ ΓΙΑ ΣΥΓΚΕΚΡΙΜΕΝΟ ΣΚΟΠΟ Ή ΑΛΛΗ ΕΓΓΥΗΣΗ ΠΟΙΟΤΗΤΑΣ Ή ΑΥΤΕΣ ΠΟΥ ΠΡΟΚΥΠΤΟΥΝ ΑΠΟ ΠΡΟΗΓΟΥΜΕΝΕΣ ΣΥΝΑΛΛΑΓΕΣ ΜΕΤΑΞΥ ΤΩΝ ΜΕΡΩΝ, Ή ΕΘΙΜΙΚΗ Ή ΕΜΠΟΡΙΚΗ ΠΡΑΚΤΙΚΗ, ΕΚΤΟΣ ΑΠΟ ΝΟΜΙΚΑ ΕΛΑΤΤΩΜΑΤΑ ΚΑΙ ΚΑΤΑ ΤΗΣ ΠΑΡΑΒΙΑΣΗΣ ΔΙΚΑΙΩΜΑΤΩΝ ΕΥΡΕΣΤΙΧΕΝΙΑΣ. Η 3M δεν έχει καμία υποχρέωση στο πλαίσιο της παρούσας εγγύησης αναφορικά με οποιοδήποτε προϊόν υποστεί βλάβη λόγω ανεπαρκούς ή ακατάλληλης αποθήκευσης, χειρισμού ή συντήρησης, αδυναμίας τήρησης των οδηγιών του προϊόντος, μετατροπής ή ζημιάς στο προϊόν λόγω ατυχήματος, αμέλειας ή εσφαλμένης χρήσης.

ΠΕΡΙΟΡΙΣΜΟΣ ΕΥΘΥΝΗΣ: ΕΚΤΟΣ ΑΠΟ ΤΙΣ ΠΕΡΙΠΤΩΣΕΙΣ ΠΟΥ ΑΠΑΓΟΡΕΥΕΤΑΙ ΔΙΑ ΝΟΜΟΥ, Η 3M ΔΕΝ ΦΕΡΕΙ ΣΕ ΚΑΜΙΑ ΠΕΡΙΠΤΩΣΗ ΕΥΘΥΝΗ ΓΙΑ ΟΠΟΙΟΔΗΠΟΤΕ ΑΜΕΣΗ, ΕΜΜΕΣΗ, ΕΙΔΙΚΗ, ΘΕΤΙΚΗ Ή ΑΠΟΘΕΤΙΚΗ ΑΠΩΛΕΙΑ Ή ΖΗΜΙΑ (ΣΥΜΠΕΡΙΛΑΜΒΑΝΟΜΕΝΩΝ ΧΑΜΕΝΩΝ ΚΕΡΔΩΝ) ΠΡΟΚΛΗΘΕΙ ΑΠΟ ΑΥΤΟ ΤΟ ΠΡΟΪΟΝ, ΑΝΕΞΑΡΤΗΤΑ ΑΠΟ ΤΗΝ ΕΦΑΡΜΟΣΘΕΙΣΑ ΝΟΜΙΚΗ ΔΙΑΤΥΠΩΣΗ. ΤΑ ΕΝΔΙΚΑ ΜΕΣΑ ΠΟΥ ΠΡΟΑΝΑΦΕΡΘΗΚΑΝ ΣΤΟ ΠΑΡΟΝ ΕΙΝΑΙ ΑΠΟΚΛΕΙΣΤΙΚΑ.

ΚΑΜΙΑ ΤΡΟΠΟΠΟΙΗΣΗ: Δεν επιτρέπονται τροποποιήσεις σε αυτήν τη συσκευή χωρίς τη γραπτή συγκατάθεση της εταιρείας 3M. Μη εγκεκριμένες τροποποιήσεις ενδέχεται να ακυρώσουν την εγγύηση και την άδεια του χρήστη να χρησιμοποιεί τη συσκευή.

ΣΗΜΕΙΩΣΗ:

- Μη χρησιμοποιείτε παλιές μαζί με καινούργιες μπαταρίες.
- Μη χρησιμοποιείτε αλκαλικές ή κοινές μπαταρίες μαζί με επαναφορτιζόμενες μπαταρίες.
- Για τη σωστή απόρριψη της μπαταρίας, ακολουθείτε τους τοπικούς κανονισμούς απόρριψης στερεών αποβλήτων.
- Χρησιμοποιείτε μόνο μη επαναφορτιζόμενες μπαταρίες τύπου AAA ή επαναφορτιζόμενες μπαταρίες NiMH (κατά περίπτωση).

3M™ PELTOR™ ComTac™ VI NIB Headset MT20H682***N**

UVOD

Čestitamo i zahvaljujemo na odabiru komunikacijskih rješenja tvrtke 3M™ PELTOR™! Predstavljamo vam novu generaciju zaštitne komunikacije.

PRAVLJNA UPOTREBA

Slušalice 3M™ PELTOR™ namijenjene su zaštiti od opasnih razina buke i glasnih zvukova uz istodobnu mogućnost slušanja okoline putem ambijentalnih mikrofona/mikrofona za okoliš, slušanje povezanih komunikacijskih uređaja i izravnu komunikaciju pomoću tehnologije prirodnog ponašanja u interakciji (Natural Interaction Behavior, NIB) u uvjetima visoke razine stalne buke. Svi korisnici moraju s razumijevanjem pročitati priložene korisničke upute i upoznati se s upotrebom ove vrste uređaja.

VAŽNO

Prije upotrebe pročitajte, usvojite te slijedite sve sigurnosne informacije iz ovih uputa. Sačuvajte ove upute za buduću upotrebu. Dodatne informacije ili odgovore na sva pitanja zatražite od tehničke službe tvrtke 3M (podaci za kontakt navedeni su na posljednjoj stranici).



UPOZORENJE

Ove zaštitne slušalice smanjuju izloženost opasnoj buci i drugim glasnim zvukovima. Ako se zaštitna sluha nepravilno upotrebljava ili ne upotrebljava tijekom svakog izlaganja opasnoj buci, može doći do gubitka sluha ili ozljeda. Upute za ispravnu upotrebu zatražite od poslovođe, pročitajte u uputama za korisnika ili nazovite tehničku službu tvrtke 3M. Ako vam se tijekom ili nakon izloženosti buci (uključujući pucnje iz vatrenog oružja) čini da su zvukovi prigušeni ili pak čujete zvonjavu ili zujanje u ušima ili ako iz bilo kojeg drugog razloga posumnjate u probleme sa sluhom, odmah napustite bučno okruženje i obratite se liječniku i/ili poslovođi.

Nepoštivanje ovih uputa može rezultirati teškim ozljedama ili smrću:

- Slušanje glazbe ili druge zvučne komunikacije može smanjiti pažnju za događanja u okolini i sposobnost uočavanja signala upozorenja. Ostanite na oprezu i podesite glasnoću zvuka na najmanju prihvatljivu razinu. Tijekom korištenja značajki za zabavu čujnost signala upozorenja na određenim radnim mjestima može biti smanjena.
- Za smanjenje opasnosti od uzrokovanja eksplozije ovaj proizvod nemojte primjenjivati u potencijalno eksplozivnoj atmosferi.

Nepoštivanje ovih uputa može umanjiti zaštitu koju pružaju štitnici za uši te uzrokovati gubitak sluha:

- Istraživanje pokazuje kako je smanjenje razine buke za korisnike manje od razine prigušivanja buke navedene na pakiranju zbog razlika u prikladnosti, sposobnosti pristajanja i motivacije korisnika. Pogledajte primjenjive propise za smjernice o prilagodavanju vrijednosti s naljepnice i procjeni prigušivanja buke. Osim toga, 3M preporučuje obavezno

ispitivanje veličine zaštitnih slušalica.

- Pazite na pravilan odabir, pristajanje, prilagodbu i održavanje zaštitnih slušalica. Uređaj nepravilne veličine manje je učinkovit u prigušivanju buke. Za odabir odgovarajuće veličine proučite priložene upute.
- Zaštitne slušalice pažljivo pregledajte prije svake upotrebe. Ako su oštećene, uzмите neoštećene slušalice ili izbjegavajte bučno okruženje.
- Ako je potrebno nošenje dodatne zaštitne opreme (primjerice zaštitnih naočala, respiratora itd.), odaberite fleksibilne, niskoprofilne okvire ili trake koji će minimalno smetati jastučićima štitnika za uši. Skinite sve druge nepotrebne predmete (primjerice periku, kapu, nakit, slušalice, higijenske presvlake itd.) koji bi mogli ometati pristajanje jastučića štitnika za uši i umanjiti zaštitu koju oni pružaju.
- Obruč za glavu ili za vrat nemojte savijati niti mu mijenjati oblik te provjerite je li dovoljno čvrst da štitnike za uši drži na mjestu.
- Štitnici za uši, a naročito jastučići, habaju se upotrebom i potrebno ih je pregledavati u redovitim intervalima kako biste uočili npr. napukline i propuštanja. Ako ih redovito upotrebljavate, jastučiće za uši i pjenaste obrube zamijenite najmanje dvaput godišnje kako biste održali predviđenu zaštitu, higijenu i udobnost.
- Izlaz električnog audiokruga na ovom štitniku za uši može prelaziti dnevno ograničenje jačine zvuka. Podesite glasnoću zvuka na najmanju prihvatljivu.
- Ako ne budete slijedili gore navedene zahtjeve, razina zaštite koju vam pružaju štitnici za uši značajno će se smanjiti.

Sigurnosne odredbe EN 352:

- Izlaz iz sklopa zaštitnih slušalica ovisnog o razini buke može premašivati vanjsku jačinu zvuka.
- Postavljanje higijenskih presvlaka na jastučićima može utjecati na akustičke značajke štitnika za uši.
- Kako se baterije troše, tako se kvaliteta rada može smanjivati. Uobičajeno vrijeme neprekidne upotrebe uz napajanje iz baterije za štitnike za uši iznosi približno:
 - LDF i NIB: 30 sati
 - LDF: 50 sati
- Određene kemikalije mogu imati štetan utjecaj na ovaj proizvod. Dodatne informacije zatražite od proizvođača.
- Ovi štitnici za uši spadaju u ponudu malih veličina. Štitnici za uši sukladni sa standardom EN 352-1 „male“ su, „srednje“ ili „velike“ veličine. Štitnici „srednje“ veličine odgovaraju većini korisnika. Štitnici „male“ ili „velike“ veličine dizajnirani su za korisnike kojima ne odgovaraju štitnici „srednje“ veličine.
- Proizvod nije primjeren kontinuiranoj buci niske frekvencije.

OPREZ:

- Opasnost od eksplozije ako je baterija zamijenjena neispravnom vrstom baterije.
- Uvijek upotrebljavajte 3M zamjenske dijelove točno namijenjene ovom proizvodu. Upotreba neodobrenih zamjenskih dijelova može smanjiti zaštitu koju ovaj uređaj pruža.

NAPOMENA

- Ako se nose prema smjernicama iz ovih korisničkih uputa, ove zaštitne slušalice smanjuju izloženost neprekidnoj buci,

kao što su industrijska buka ili buka vozila i zrakoplova, kao i vrlo glasnoj iznenadnoj buci, kao što su pucnji iz vatrenog oružja. Teško je predvidjeti potrebnu i/ili stvarnu zaštitu sluha postignutu tijekom izloženosti iznenadnoj buci. Na učinkovitost zaštite od pucnjeva iz vatrenog oružja utječu vrsta oružja, broj ispaljenih hitaca, pravilan odabir vrste i veličine zaštite sluha te njezina upotreba, pravilno održavanje zaštite sluha i drugi faktori. Dodatne informacije o zaštiti od iznenadne buke potražite na web-mjestu www.3M.com/hearing.

- Štitnici za uši prigušuju ovisno o razini buke. Nositelj prije upotrebe mora provjeriti ispravnost rada. U slučaju otkrivanja iskrivljenja ili neispravnosti osoba koja ih nosi treba pročitati savjete proizvođača o održavanju i zamjeni baterije.
- Ovi štitnici za uši isporučuju se s električnim ulazom za zvuk. Nositelj prije upotrebe mora provjeriti ispravnost rada. U slučaju pronalaska iskrivljenja ili kvara, nositelj treba pročitati savjete proizvođača.
- Raspon radne temperature: $-20\text{ }^{\circ}\text{C}$ ($-4\text{ }^{\circ}\text{F}$) do $55\text{ }^{\circ}\text{C}$ ($131\text{ }^{\circ}\text{F}$)
- Raspon temperature skladištenja: $-20\text{ }^{\circ}\text{C}$ ($-4\text{ }^{\circ}\text{F}$) do $55\text{ }^{\circ}\text{C}$ ($131\text{ }^{\circ}\text{F}$)
- Težina štitnika za uši: MT20H682FB-**N** = 340 g, MT20H682BB-**N** = 313 g, MT20H682FB-**N** (HY80) = 379 g.
- Vijek trajanja na skladištu: 5 godina osim baterija.

ODOBRENJA

Ovime 3M Svenska AB izjavljuje da je uređaj za radiokomunikaciju u skladu s Direktivom 2014/53/EU i drugim odgovarajućim direktivama za ispunjavanje zahtjeva za dobivanje oznake CE. 3M Svenska AB također izjavljuje da su slušalice vrste osobne zaštitne opreme u skladu s Uredbom (EU) 2016/425 ili Direktivom Zajednice 89/686/EEZ.

Primjenjivo zakonodavstvo može se utvrditi pregledom izjave o sukladnosti (DoC) na web-mjestu [ww.3M.com/peltor/doc](http://www.3M.com/peltor/doc). Izjava o sukladnosti će također pokazati mogu li se primijeniti i odobrenja neke druge vrste. Pri traženju svoje Izjave o sukladnosti molimo pronađite i broj dijela. Broj dijela štitnika za uši možete pronaći na dnu jedne od čašica. Primjer toga prikazan je na slici u nastavku.



Ovaj proizvod osobne zaštitne opreme (ako su proizvodi kategorije III) na godišnjoj osnovi ispituje i vrstu im odobrava Finski zavod za zaštitu na radu (Finnish Institute of Occupational Health), identifikacijski broj ovlaštenog certifikacijskog tijela 0403, Topeliuksenkatu 41 b, FI-00250 Helsinki, Finska. Ovaj je proizvod testiran i odobren u skladu s normama EN 352-1:2002, EN 352-4:2001/A1:2005, EN 352-6:2002.

Kopiju Izjave o sukladnosti i dodatne potrebne informacije navedene u direktivama također možete dobiti kontaktiranjem tvrtke 3M u državi u kojoj ste kupili proizvod. Informacije za kontakt potražite na posljednjim stranicama ovih korisničkih uputa.



Ovaj proizvod sadrži električne i elektroničke dijelove i ne smije se odlagati zajedno s ostalim kućanskim otpadom. Prilikom odlaganja električnog i elektroničkog otpada poštuju lokalne zakone.

PRIGUŠIVANJE U LABORATORIJU

Razina prigušivanja buke (SNR) izmjerena je za isključeni uređaj. Objašnjenja tablica s vrijednostima prigušivanja:

Europski standard EN 352

Istraživanje pokazuje kako je smanjenje razine buke za korisnike manje od razine prigušivanja buke navedene na pakiranju zbog razlika u prikladnosti, sposobnosti pristajanja i motivacije korisnika. Pogledajte primjenjive propise za smjernice o prilagodavanju vrijednosti s naljepnice i procjeni prigušivanja buke. Osim toga, 3M preporučuje obavezno ispitivanje veličine zaštitnih slušalica.

A:1 Frekvencija (Hz)

A:2 Srednje prigušivanje buke (dB)

A:3 Standardno odstupanje (dB)

A:4 Pretpostavljena vrijednost zaštite, APV (dB)

A:5

H = Procjena zaštite od buke za zvukove visoke frekvencije ($f \geq 2000\text{ Hz}$).

M = Procjena zaštite od buke za zvukove srednje frekvencije ($500\text{ Hz} < f < 2000\text{ Hz}$).

L = Procjena zaštite od buke za zvukove niske frekvencije ($f \leq 500\text{ Hz}$).

A:6 Razina kriterija

H = Razina kriterija za zvukove visoke frekvencije

M = razina kriterija za zvukove srednje frekvencije

L = razina kriterija za zvukove niske frekvencije

A:7 europski standard EN 352-6 za razine električnog ulaza za vanjski zvuk

A:8 Razina ulaznog signala U (mV, RMS)

A:9 Srednja razina zvučnog tlaka (dB(A))

A:10 Standardno odstupanje zvučnog tlaka (dB)

A:11 Razina ulaznog signala za koju zbroj srednje vrijednosti i jednog standardnog odstupanja iznosi 82 dB(A)

B) Standard Australije i Novog Zelanda AS/NZS 1270:2002

B:1 Ispitne frekvencije

B:2 Srednje prigušivanje buke, Mean att

B:3 Standardno odstupanje, St dev

B:4 Srednja vrijednost umanjena za standardno odstupanje

KOMPONENTE

C:1 Preklonpi obruč za glavu

C:2 Nosač čašice

C:3 Zatezači u dvije točke

C:4 Čašica

C:5 Poklopac odjeljka za baterije

C:6 Mikrofoni za funkciju slušanja ambijenta/okoline

C:7 Podloška za prigušivanje

- C:8 Jastučić za uši
- C:9 Kabel za vanjski ulaz (samo određeni modeli)
- C:10 Mikrofon za govor (samo određeni modeli)
- C:11 Obruč za vrat
- C:12 Ulaz mikrofona za govor (J22) (samo određeni modeli)
- C:13 [-] gumb na tipkovnici
- C:14 [+] gumb na tipkovnici
- C:15 NIB PTT

UPUTE ZA NAMJEŠTANJE

Obruč za glavu

- D:1 Izvucite čašice i nagnite vrh školjke prema van jer kabel mora biti s vanjske strane obruča za glavu.
- D:2 Vsinu ulaza prilagodite pomicanjem prema gore ili dolje dok držite obruč za glavu.
- D:3 Obruč za glavu treba biti položen poprečno po gornjem dijelu glave kao što je prikazano i treba nositi težinu slušalica.

Obruč za vrat

- D:4 Postavite čašice na mjesto, preko ušiju.
- D:5 Zadržite čašice na mjestu i postavite obruč za glavu na vrh glave te ga čvrsto zategnite.
- D:6 Traka za glavu treba biti položena poprečno po gornjem dijelu glave.

E:1 – E:2 Postavljanje mikrofona za govor

Za maksimalni učinak u bučnom okruženju mikrofon za govor mora biti postavljen vrlo blizu ustima (manje od 3 mm).

NAPOMENA: Pri upotrebi na velikim nadmorskim visinama / u zrakoplovu okolni tlak može naglo pasti i utjecati na osjetljivost mikrofona, primjerice tijekom polijetanja helikoptera. Ako do toga dođe, mikrofon stavite bliže i/ili govorite glasnije kako biste povećali pritisak na membrani mikrofona.

UPUTE ZA RAD

Zamjena baterija (sl. 1)

- 1 – 2. Uklonite poklopac odjeljka za baterije i umetnite baterije (2 x AAA).
3. Polaritet baterija mora odgovarati oznakama u odjeljku za baterije.
4. Kako bi se dobro zabrtvio, poklopac se mora pritisnuti do kraja. Gotovo prazna baterija označava se ponavljanjem glasovne poruke: „low battery“ (niska napunjenost baterije).

Uključivanje i isključivanje slušalica (sl. 2)

Pritisnite i približno dvije sekunde zadržite gumb [+] ili [-] kako biste uključili ili isključili slušalice. Oglašava se potvrdno glasovno navođenje. Prilikom isključivanja slušalica uvijek se pohranjuje trenutna postavka.

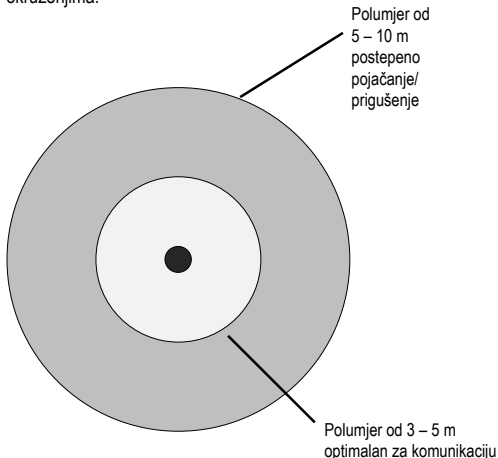
Slušalice se automatski isključuju nakon dva sata neaktivnosti. Na to tijekom posljednje minute prije isključenja slušalica ukazuje glasovna poruka. Pritisnite gumb [+] ili [-] kako biste ponovno postavili vremenski period od dva sata.

Prilagodba jačine zvuka (sl. 3)

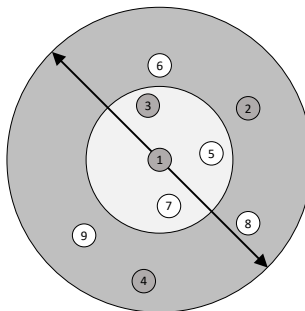
Pritisnite [+] ili [-] za podešavanje jačine zvuka za slušanje ambijenta/okoline. Četiri su postavke razine te mogućnost isključenja slušanja ambijenta/okoline. Maks. postavke potvrđuju se zvučnim signalom. Način rada za isključenje slušanja ambijenta/okoline potvrđuje se glasovnom porukom.

Izravna komunikacija putem tehnologije NIB

NIB omogućuje izravnu kratkometnu komunikaciju u bučnim okruženjima.



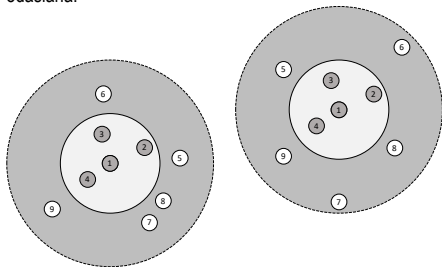
Tehnologija NIB omogućuje bežičnu komunikaciju u polumjeru od 10 m. Potpuna dvosmjerna komunikacija za do četiri osobe unutar ovog dometa.



U bučnim okruženjima jednostavno pridite osobi s kojom želite razgovarati. Tehnologija NIB postepeno se pojačava i prigušuje (polumjer od 5 – 10 m) i omogućuje komunikaciju s osobama u blizini. Za optimalni komunikacijski signal zadržite se u polumjeru od 3 – 5 m.

Kada su četiri prijenosna kanala za potpunu dvosmjernu komunikaciju zauzeta (1 – 4), drugi korisnici mogu i dalje slušati, no ne mogu odašiljati (5 – 9). Gornju granicu slušatelja određuje broj ljudi koji stanu u polumjer od 10 m, ne tehnologija.

NAPOMENA: Kada više od četiri korisnika pokušaju odašiljati tehnologijom NIB, peti i ostali korisnici koji žele odašiljati čut će zvučne signale koji prikazuju kako izlazna komunikacija nije odaslana.



Kojoj grupi NIB pripadate ovisi o vašem položaju i položaju drugih slušalica NIB.

NIB radi kada razina buke u okolišu prekoračuje pribl. 80 dB i kada je buka neprekidna približno jednu sekundu.

NIB također radi na manje od 80 dB ako korisnik pritisne PTT u načinu rada PTT ili načinu rada VOX.

Uključenje funkcije NIB (sl. 7)

Brzim pritiskom na PTT izmjenjuju se načini rada NIB PTT UKLJUČEN/NIB ISKLJUČEN/NIB VOX UKLJUČEN.

Pritiskanjem i zadržavanjem gumba NIB PTT omogućuje komunikaciju unutar polumjera od 10 m u načinu rada NIB VOX UKLJUČEN i NIB PTT UKLJUČEN.

NIB VOX UKLJUČEN – u ovom načinu rada visoke razine buke uključuju radio NIB i omogućuje se komunikacija VOX za do četiri korisnika. Pritiskanje gumba PTT u načinu rada VOX UKLJUČEN također omogućuje komunikaciju u tišini.

Kada slušalice primjenjujete u okolini s isprekidanom bukom, ona može uzastopno uključivati NIB VOX. U toj situaciji možete primjenjivati NIB PTT UKLJUČEN.

NIB PTT UKLJUČEN – u ovom načinu rada za odašiljanje morate pritisnuti gumb PTT.

NIB ISKLJUČEN – ovaj način rada ISKLJUČUJE radio NIB. U načinu rada NIB ISKLJUČEN radio NIB ne emitira radiofrekvencijski signal.

Gumb koji je potrebno pritisnuti tijekom govora za NIB (sl. 8)

Pritisnite i zadržite PTT na lijevoj čašici kako biste odašiljali putem NIB.

Pristup izborniku (sl. 4)

1. Pritisnite i zadržite gumb [+] i [-] kako biste pristupili izborniku. Oglašava se potvrđna glasovna poruka.
2. Kratko pritisnite gumb [-] za kretanje po izborniku. Koraci u izborniku dolje su navedeni.

3. Gumbom [+] mijenjate postavke i, ako je to dostupno, krećete se kroz dostupne postavke. Glasovna poruka potvrđuje svaki korak, potom slijedi trenutna postavka. Izmjene se također potvrđuju glasovnom porukom. Nakon nekoliko sekundi bez aktivnosti, izbornik se vraća na glasnoću. Ako pritisnete [+] i [-], odmah možete pristupiti postavkama za glasnoću iz bilo kojeg koraka u izborniku.

Ambient/Environmental listening mode (Način rada za slušanje ambijenta/okoline)

Način rada za slušanje ambijenta/okoline dostupan je u klasičnom i naprednom načinu rada. U klasičnom načinu rada jačinu zvuka možete podešavati u četiri koraka povećanjem ili smanjenjem razine zvuka za slušanje ambijenta/okoline. Napredni način rada obuhvaća četiri memorirane postavke optimirane za različite zvučne profile.

Postavka	Pravilna upotreba
Napredni način rada 1 (Udobnost)	Za udobnost u vrlo glasnoj okolini.
Napredni način rada 2 (Razgovor)	Za prirodan zvuk kada je potrebna zaštita od iznenadnih zvukova.
Napredni način rada 3 (Ophodnja)	Za visoku pažnju za događanja pri hodanju u okruženju s malo buke.
Napredni način rada 4 (Nadzor)	Za snažno zapažanje događanja u tihim okruženjima.

Battery (Baterija)

Odaberite vrstu baterije za upotrebu u slušalicama, alkalne ili punjive.

Wireless input (Bežični ulaz)

1. Pratite korisničke upute za 3M™ PELTOR™ TEP-LOOP* kako biste postavili traku za vrat.

2. Otvorite izbornik slušalica kako biste prilagodili bežični ulaz i osjetljivost te ih uskladili s povezanom trakom za vrat. Odaberite isključeno/niska/srednja/visoka (off/low/medium/high).

3. Ako je potrebno, glasnoću prilagodite na vanjskom primopredajniku.

NAPOMENA: Glasnoća se može razlikovati ovisno o udaljenosti između slušalica i trake za vrat.

Wired input (Žični ulaz)

Podesite žični ulaz i osjetljivost prema povezanom žičnom uređaju. Odaberite niska/visoka (low/high).

Balance (Balans)

Postavka balansa prilagođava balans glasnoće između desnog i lijevog uha. Dostupno je sedam postavki razine: Sredina, lijevo 1, lijevo 2, maks. lijevo, maks. desno, desno 2, desno 1 (center, left 1, left 2, max left, max right, right 2, right 1).

Warning signals (Signalna upozorenja)

Postavka signalnog upozorenja onemogućava/omogućava signalna upozorenja „low battery“ (niska napunjenost baterije) i „automatic power off“ (automatsko isključivanje). Ako je postavka isključena, nijedno od ovih upozorenja neće se čuti.

Automatic power off (Automatsko isključivanje)

Postavka automatsko isključivanje onemogućuje/omogućuje funkciju automatskog isključivanja.

NIB frequency (Frekvencija za NIB)

Za Sjevernu Ameriku, Australiju i Novi Zeland frekvencija za NIV je 915 MHz.

Za Europu frekvencija za NIB je 864 MHz.

Odaberite frekvenciju za NIB, 864 MHz (EU) ili 915 MHz (SA, ANZ). Pritisnite [+] za odabir te pritisnite i zadržite [+] za potvrdu odabira.

NAPOMENA: Provjerite primjenjujete li frekvenciju odobrenu za regiju u kojoj radite.

Factory reset (Vraćanje tvorničkih postavki)

Vraća sve postavke izbornika na tvornički zadane vrijednosti. Ova se postavka mora potvrditi pritiskanjem [+] po oglašavanju glasovne upute „confirm factory reset“ (potvrdite vraćanje tvorničkih postavki).

RJEŠAVANJE PROBLEMA S NIB

Problem	Mogući uzroci	Prijedlog
Slušalice emitiraju zvučni signal pri odašiljanju.	Kanal za NIB zauzele su četiri osobe.	Pričekajte na dostupno mjesto.
Slušalice emitiraju zvučni signal pri odašiljanju.	Nema drugih slušalica u dometu.	Provjerite ima li drugih slušalica u dometu.
Ne možete čuti druge osobe ili komunicirati s njima.	Ne primjenjujete frekvenciju za NIB koja odgovara regiji u kojoj radite.	U izborniku odaberite ispravnu frekvenciju za NIB. Pogledajte Frekvenciju za NIB.
Ne možete čuti druge osobe ili komunicirati s njima.	Funkcija NIB nije uključena.	Gumbom PTT promijenite različite načine rada. Pogledajte Uključenje funkcije NIB.

ČIŠĆENJE I ODRŽAVANJE

za čišćenje vanjskih školjki, obruča za glavu i jastučića za uši upotrijebite krpu natopljenu toplom sapunicom.

NAPOMENA: NEMOJTE uranjati zaštitne slušalice u vodu. Ako se zaštitne slušalice smoče od kiše ili znoja, okrenite štitnike za uši prema van, uklonite jastučiće za uši i pjenaste obrube i pustite da se sve osuši prije ponovnog sastavljanja. Jastučići za uši i pjenasti obrubi habaju se upotrebom i trebate ih redovito pregledavati kako biste uočili moguće napukline ili druga oštećenja. Ako se redovito upotrebljavaju, tvrtka 3M preporučuje zamjenu pjenastih obruba i jastučića za uši najmanje dva puta godišnje kako biste zadržali predviđeno prigušivanje, higijenu i

udobnost. Ako je jastučić za uši oštećen, treba ga se zamijeniti. Pogledajte odjeljak Rezervni dijelovi u nastavku.

UKLANJANJE I ZAMJENA JASTUČIĆA ZA UŠI

F:1 Za uklanjanje jastučića za uši postavite prste ispod unutarnjeg ruba jastučića za uši i potegnite ravno prema van.
F:2 Izvadite postojeće obrube i umetnite nove pjenaste obrube.
F:3 Potom postavite jednu stranu jastučića u utor čašice i potom pritisnite suprotnu stranu dok jastučić ne sjedne na svoje mjesto.

POSTAVLJANJE TRAKE ŠTITNIKA MIKROFONA

Kako biste zaštitili mikrofon od vlage i prljavštine, koristite štitnik mikrofona HYM1000.

Postavljanje štitnika (sl. G):

- G:1 Škarama izrežite 100 mm trake štitnika mikrofona. Uklonite zaštitni papir.
- G:2 Postavite mikrofon na rub trake kako je prikazano na slici.
- G:3 Preklopite traku štitnika i provjerite jeste li prekrili mikrofon.
- G:4 Čvrsto pritisnite kako biste zabrtvili traku štitnika.
- G:5 Mikrofon je spreman za upotrebu.

REZERVNI DIJELOVI I DODATNA OPREMA

3M™ PELTOR™ HY68 SV higijenski komplet

Zamjenjivi higijenski komplet. Kako biste osigurali neprekidno prigušivanje, higijenu i udobnost, zamijenite ga najmanje dva puta godišnje.

3M™ PELTOR™ HY80-EU higijenski komplet jastučića od gela

3M™ PELTOR™ HY100A štitnici za jednokratnu upotrebu
Štitnici za jednokratnu upotrebu koji se lako postavljaju na jastučiće za uši.

3M™ PELTOR™ MT73 vodonepropusni mikrofon
Vodonepropusni dinamički mikrofon.

3M™ PELTOR™ M171/2 zaštita od vjetra za mikrofon

3M™ PELTOR™ HYM1000 štitnik mikrofona
Traka otporna na vlagu i vjetar koja štiti mikrofon.

3M™ PELTOR™ M60/2 zaštita od vjetra za mikrofone
za okolinu

3M™ PELTOR™ HY450/1 podstava za glavu
Koristi se za pristajanje malih raspona kod preklonog obruča za glavu.

3M™ PELTOR™ LR03NM baterija AAA NiMH

JAMSTVO I ODRICANJE OD ODGOVORNOSTI

JAMSTVO: U slučaju da se na bilo kojem proizvodu za osobnu zaštitu tvrtke 3M utvrdi manjkavost materijala ili izrade ili se utvrdi da proizvod nije u skladu s bilo kojim izričitim jamstvom za određenu upotrebu, vaš jedini pravni lijek i jedina obveza

tvrtke 3M je da, prema vlastitom odabiru, popravi ili zamijeni proizvod ili da vam vrati iznos u visini kupovne cijene takvih dijelova ili proizvoda, pod uvjetom da ste tvrtku o tome na vrijeme obavijestili te da se može dokazati da je proizvod skladišten, održavan i korišten u skladu s pisanim uputama tvrtke 3M. OSIM AKO TO NIJE ZABRANJENO ZAKONOM, OVO JE JAMSTVO ISKLJUČIVO I MIJENJA BILO KOJE IZRIČITO ILI IMPLICIRANO JAMSTVO PRIKLADNOSTI ZA PRODAJU, PRIKLADNOSTI ZA ODREĐENU SVRHU ILI DRUGO JAMSTVO KVALITETE ILI ONO KOJE PROISTJEČE IZ NAČINA POSLOVANJA, CARINSKIH PROPISA ILI OBIČAJA POSLOVANJA, OSIM ONIH VEZANIH UZ PRAVA VLASNIŠTVA ILI KRŠENJE PRAVA NA PATENTE. Tvrtka 3M nema jamstvenih obveza za bilo koji proizvod koji je neispravan zbog nepravilnog skladištenja, rukovanja ili održavanja, nepridržavanja uputa za korištenje proizvoda ili promjene ili oštećenja proizvoda zbog nezgode, nemara ili nepropisnog korištenja.

ODRICANJE OD ODGOVORNOSTI: OSIM AKO TO NIJE ZABRANJENO ZAKONOM, TVRTKA 3M NI U KOJEM SLUČAJU NEĆE BITI ODGOVORNA ZA BILO KAKVU IZRAVNU, NEIZRAVNU, POSEBNU, SLUČAJNU ILI POSLJEDIČNU ŠTETU ILI GUBITAK (UKLJUČUJUĆI GUBITAK ZARADE) KOJI SU POVEZANI S OVIM PROIZVODOM, NEOVISNO O KOJOJ JE PRAVNOJ TEORIJI RIJEČ. OVDJE NAVEDENI PRAVNI LIJEKOVI ISKLJUČIVI SU.

ZABRANJENE SU IZMJENE: Izmjene ovog uređaja ne smiju se provoditi bez pisane suglasnosti tvrtke 3M. Neovlaštene izmjene mogu poništiti jamstvo i ovlaštenje korisnika za rukovanje uređajem.

NAPOMENA:

- Nemojte kombinirati stare i nove baterije.
- Nemojte kombinirati alkalne, standardne i punjive baterije.
- Za pravilno odlaganje baterija pratite lokalne propise o odlaganju krutog otpada.
- Upotrebljavajte samo nepunjive AAA ili punjive NiMH baterije (primjenjive).

3M™ PELTOR™ ComTac™ VI NIB Headset MT20H682***N**

BEVEZETÉS

Gratulálunk termékéhez, és köszönjük, hogy 3M™ PELTOR™ kommunikációs megoldást választott! A védelmi kommunikációtechnika új szintjére érkezett.

RENDELTETÉS

A 3M™ PELTOR™ fejhallgatók a veszélyes zajszint és erős hangok elleni védelmet szolgálják úgy, hogy eközben a felhasználó hallgathassa a környezeti mikrofonokon át a környezeti hangokat, a csatlakoztatott hangeszközöket, valamint nagy intenzitású, folyamatos zaj esetén szemtől szembe kommunikálhasson a természetes interakciós viselkedést biztosító technológiával (Natural Interaction Behavior, NIB). A használat feltétele, hogy minden felhasználó olvassa el és értsen meg a mellékelt felhasználói útmutatót, valamint ismerje az eszköz használatát.

FONTOS!

Használatba vétel előtt a jelen útmutató összes biztonsági tudnivalóját el kell olvasni és meg kell érteni, majd azokat be kell tartani. Az útmutatót meg kell őrizni későbbi tanulmányozás céljából. További tájékoztatásért és esetleges kérdéseivel forduljon a 3M műszaki ügyfélszolgálatához (elérhetőségek az utolsó oldalon).



VIGYÁZAT

Ez a hallásvédő eszköz segít csökkenteni a fület érő veszélyes zajt és más erős hangokat. Ha a hallásvédő eszközt rosszul vagy nem megszoktatásmentesen használja, azzal veszélyes zajszintnek teszi ki magát, amely halláskárosodáshoz vagy sérüléshez vezethet. A helyes használatról kérdezze meg felettesét, olvassa el a felhasználói útmutatót, vagy hívja fel a 3M ügyfélszolgálatát. Ha hallása eltempul, illetve cseng vagy zúg a füle a zajterhelés (például puskalövés) közben vagy után, vagy bármely más okból úgy érzi, rosszabbul hall, akkor azonnal hagyja el a zajos környezetet, és forduljon szakorvoshoz, illetőleg feletteséhez.

Az itt leírtak be nem tartása súlyos vagy halálos balesetet idézhet elő:

- Zenehallgatás vagy hangkommunikáció alatt csökkenhet a helyzetérzékelő képesség, és rosszabbul hallhatók a figyelmeztető hangriasztások. Mindennek legyen tudatában, és állítsa a hangerőt a még jól hallható legalacsonyabb szintre. A szórakoztató funkció bizonyos munkakörnyezetek esetén leronthatja a figyelmeztető hangjelzések hallhatóságát.
- A robbanásveszély miatt tilos a terméket potenciálisan robbanásveszélyes környezetben üzemeltetni.

Az utasítások be nem tartása csökkentheti a fülvédő védelmi hatását, és halláskárosodás következhet be:

- Kutatások szerint az illeszkedés eltérő minősége, az illesztésben való járatlanság és a felhasználók viselési motíválatlansága miatt a tényleges zajcsillapítás egyes

felhasználók esetében elmaradhat a csomagoláson feltüntetett csillapítástól. A címkén feltüntetett értékek és a becsült zajcsillapítás megállapításának módjáról tájékozzon a helyileg hatályos rendeletekből. A 3M emellett nyomtatékosan javasolja a hallásvédő illeszkedési tesztjének elvégzését is.

- Gondoskodni kell a hallásvédő helyes megválasztásáról, illeszkedéséről, beállításáról és karbantartásáról. A tökéletlen illeszkedés csökkenti a készülék hangerő-csillapítási hatékonyságát. A tökéletes illeszkedés érdekében olvassa el a mellékelt útmutatót.
- Minden használat előtt gondosan vizsgálja meg a hallásvédőt. Ha sérülést talál, válasszon helyet a sérülésmentes hallásvédőt, vagy kerülje el a zajos környezetet.
- Ha egyéb személyi védőfelszerelések használata is szükséges (például védőszemüveg vagy légzőmaszk), használjon azokhoz rugalmas és lapos pántokat, hogy a legkevésbé zavarják a fülvédő párnáinak felfekvésését. Távolítsa el az összes zavaró tárgyat (például a haját, sapkáját, ékszerét, fülhallgatóját vagy a higiéniai fülpámborítást), amelyek zavarhatják a fülvédő párnáinak felfekvésését, és ezzel ronthatják a fülvédő biztosított védelmet.
- Tilos a fejpántot vagy a nyakpántot meghajlítani vagy az alakját megváltoztatni, és mindig gondoskodni kell arról, hogy a fejpánt a megfelelő erővel, stabilan a helyén tartsa a fültokokat.
- A fülvédők, különösen azok fülpárnái elhasználódhatnak, ezért gyakran meg kell vizsgálni, hogy nem keletkezett-e rajtuk például repedés vagy hangszivárgási hely. A rendszeresen használt eszköz fülpárnáit és szivacsbetéteit a védelmi, higiéniai és kényelmi szempontok miatt fenntartása érdekében évente legalább kétszer cserélni kell.
- A hangelektronika kimeneti teljesítménye ebben a hallásvédő készülékben meghaladhatja a napi határértéket. A hangerőt mindig állítsa a még jól hallható legalacsonyabb szintre.
- A fenti előírások be nem tartása esetén a fülvédő hallásvédelmi hatása súlyosan romolhat.

EN 352 munkavédelmi figyelmeztetések:

- A hangszintérzékeny áramkör kimeneti teljesítménye ebben a hallásvédő készülékben meghaladhatja a külső hangszintet.
- A higiéniai fülpámborítás alkalmazása befolyásolhatja a fülvédők akusztikai teljesítményét.
- A működés minősége a telepek töltöttségi szintjének csökkenésével romolhat. Tipikus esetben a fül dugasz akkumulátorától várható megközelítő folyamatos üzemidő:
 - LDF és NIB: 30 óra
 - LDF: 50 óra
- Az eszközt egyes vegyi anyagok károsíthatják. További adatok a gyártótól szerezhetők be.
- Ezek a fülvédők kis fejméretre készültek. Az EN 352-1 szabvány szerinti fülvédők közepes, kis, illetve nagy méretűek lehetnek. A legtöbb viselőre a közepes méretű fülvédő illeszkedik a legjobban. A kis és nagy méretű fülvédők azok számára készültek, akikre a közepes méretű fülvédő nem illik.
- A termék nem alkalmas erőteljes, folyamatos alacsony frekvenciájú zaj esetén.

FIGYELEM

- Ha nem megfelelő típusú telepekre cseréli a meglévőket, robbanásveszély lép fel.
- Mindig az adott termékhez készült 3M márkájú pótkatatrészt kell használni. A nem hivatalos pótkatatrészek használata csökkentheti a termék által biztosított védelem szintjét.

MEGJEGYZÉS

- A felhasználói útmutató betartásával viselve ezzel a hallásvédő eszközzel csökkenthető mind a folyamatos zajterhelés (pl. ipari zaj, gépjármű, repülőgép), mind a nagyon hangos zajimpulzusok (pl. puskalövés) okozta terhelés. Impulzusszerű zajterheléskor a hallásvédelem szükséges és tényleges szintjét nehéz előre megállapítani. Fegyverhang esetén a hatékonyságot egybeként a fegyver típusa, a lövések száma, a hallásvédő eszköz helyes megválasztása, illeszkedése, viselése és helyes karbantartása befolyásolja. Az impulzusszerű zajok elleni védekezést a www.3M.com/hearing webhely ismerteti részletesebben.
- A fülvédő hangszintérzékeny hangerő-csillapítást biztosít. Viselőjének használat előtt ellenőriznie kell ennek helyes működését. Rendellenesség vagy hiba észlelésekor a felhasználónak a gyártó által javasolt karbantartást, illetve telepcserét el kell végeznie.
- Ez a fülvédő elektromos hangbemenettel rendelkezik. Viselőjének használat előtt ellenőriznie kell ennek helyes működését. Rendellenesség vagy hiba esetén a felhasználónak a gyártói utasításokat kell követnie.
- Üzemi hőmérséklet-tartomány: -20 °C és 55 °C között
- Tárolási hőmérséklet-tartomány: -20 °C és 55 °C között
- A hallásvédő eszköz tömege: MT20H682FB-**N** = 340 g, MT20H682BB-**N** = 313 g, MT20H682FB-**N**(HY80) = 379 g.
- Szavatossági idő: 5 év, a telepekre is kiterjed.

TANÚSÍTVÁNYOK

A 3M Svenska AB kijelenti, hogy a rádiókommunikáció megfelel a 2014/53/EU számú és a CE jelöléshez szükséges egyéb vonatkozó irányelvek előírásainak. A 3M Svenska AB kijelenti, hogy a védőfelszerelés jellegű fejhallgató megfelel a (EU) 2016/425 számú uniós rendeletnek, a 89/686/EGK számú közösségi irányelvnek.

A megfelelőségi nyilatkozat ismerteti, hogy melyek a vonatkozó törvények és jogszabályok: www.3M.com/peltor/doc.

A megfelelőségi nyilatkozatban az esetleges egyéb vonatkozó tipustanúsítványok is szerepelnek. A megfelelőségi nyilatkozat lehívásakor, keresse ki a kívánt cikkszámot. A fülvédő cikkszama az egyik fültek alján található meg. Erre az alábbi képen látható példa.



Ezeket a személyi védőfelszereléseket évente felülvizsgálja (III. termék kategória esetén) és típusengedélyezi a Finn

Munkaegészségügyi Intézet (Finnish Institute of Occupational Health), 0403 számú testület, Topeliuksenkatu 41 b, FI-00250 Helsinki, Finnország. A terméket az alábbi szabványok szerint bevizsgálták, és megfelelőnek találták: EN 352-1:2002, EN 352-4:2001/A1:2005, EN 352-6:2002.

A megfelelőségi nyilatkozat nyomtatott példánya, valamint az irányelvek által előírt további tájékoztatás a vásárlás szerinti ország 3M-képviseleténél is igényelhető. Az elérhetőségek a jelen használati útmutató végén találhatók.



A termék olyan elektromos és elektronikus alkatrészeket tartalmaz, melyek tilos a háztartási hulladékba helyezni. Az elektromos és elektronikus berendezések hulladékba helyezését a helyi jogszabályok ismertetik.

LABORATÓRIUMI ZAJCSILLAPÍTÁS

A csillapítási besorolás (SNR) megállapítása kikapcsolt állapotban történt. A csillapítási táblázat lejegyzései:

EN 352 európai szabvány

Kutatások szerint az illeszkedés eltérő minősége, az illesztésben való járatlanság és a felhasználók viselési motiválatlansága miatt a tényleges zajcsillapítás egyes felhasználók esetében elmaradhat a csomagoláson feltüntetett csillapítástól. A címkén feltüntetett értékek és a becsült zajcsillapítás megállapításának módjáról tájékozódjon a helyileg hatályos rendeletekből. A 3M emellett nyomtatékosan javasolja a hallásvédő illeszkedési tesztjének elvégzését is.

A:1 Frekvencia (Hz)

A:2 Átlagos zajcsillapítás (dB)

A:3 Szórás (dB)

A:4 Feltételezett zajvédelmi érték, APV (dB)

A:5

H = becsült hallásvédelmi érték magas frekvenciájú hangoknál ($f \geq 2000$ Hz).

M = becsült hallásvédelmi érték közepes frekvenciájú hangoknál ($500 \text{ Hz} < f < 2000$ Hz).

L = becsült hallásvédelmi érték alacsony frekvenciájú hangoknál ($f \leq 500$ Hz).

A:6 Kritériumszintek

H = nagy frekvenciájú zaj kritériumszintje

M = közepes frekvenciájú zaj kritériumszintje

L = alacsony frekvenciájú zaj kritériumszintje

A:7 EN 352-6 számú európai szabvány: Külső hangbemeneti szintek

A:8 Bemeneti jelszint U (mV, RMS)

A:9 Átlagos hangnyomásszint (dB(A))

A:10 Hangnyomásszórás (dB)

A:11 Az a bemeneti jelszint, amely mellett a szórás egyszerűsített értékével növelt átlagérték 82 dB(A)

B) AS/NZS 1270:2002 ausztráliai, ill. új-zélandi szabvány

B:1 Tesztfrekvenciák (Hz)

- B:2 Átlagos zajcsillapítás, Mean att
- B:3 Szórás, St dev
- B:4 Átlag mínusz szórás

ÖSSZETEVŐK

- C:1 Összehajtható fejpánt
- C:2 Fültoktámasztó kar
- C:3 Kétpontos rögzítő
- C:4 Fültok
- C:5 Telepfedél
- C:6 Környezethallgató mikrofon
- C:7 Zajcsillapító fedlap
- C:8 Fülpárna
- C:9 Külső bemeneti kábel (csak bizonyos modelleken)
- C:10 Beszédmikrofon (csak bizonyos modelleken)
- C:11 Nyakpánt
- C:12 Beszédmikrofon-bemenet (J22) (csak bizonyos modelleken)
- C:13 (-) nyomógomb
- C:14 (+) nyomógomb
- C:15 NIB PTT

BEILLESZTÉSI ÚTMUTATÓ

Fejpánt

- D:1 Húzza kijejjebb a fültokokat, majd billentse a kagylók tetejét kifelé, mivel a kábelnek a fejpánton kívülre kell kerülnie.
- D:2 A fültokok magassága úgy állítható be, hogy a fejpántot a helyén tartva a fültokokat felfelé vagy lefelé elcsúsztatjuk.
- D:3 A fejpántnak az ábrázolt módon a fejtető közepére kell kerülnie, és a fejhallgató súlyának azon kell nyugodnia.

Nyakpánt

- D:4 Igazítsa a helyére a fülre felhelyezett fültokokat.
- D:5 A fültokokat a helyén tartva igazítsa a fejpántot a fejtetőre, majd rögzítse azt szorosan a helyén.
- D:6 A fejpántnak pontosan a fejtetőre kell kerülnie.

E:1–E:2 A beszédmikrofon szájhoz való beállítása

Zajos környezetben a legjobb működési paraméterek elérése érdekében a beszédmikrofont a szájhoz nagyon közelre (3 mm-nél közelebbre) kell elhelyezni.

MEGJEGYZÉS: Nagy tengerszint feletti magasságon, illetve repülés alkalmával a környezeti nyomás gyorsan csökkenhet, és ez – például egy emelkedő helikopter esetén – hatással lehet a mikrofon érzékenységre. Ilyen esetben a mikrofon membránját érő nyomás fokozása érdekében helyezze szájához közelebb a mikrofont, illetőleg beszéljen hangosabban.

ÜZEMELTETÉSI ÚTMUTATÓ

Telepcsere (1. ábra)

- 1–2. Vegye le a teleptartó fedelét, majd helyezze be a telepeket (2 db AAA).
- 3. A telepeket csak a teleptartó jelölésnek megfelelő polaritással szabad behelyezni.
- 4. A megfelelő töltés érdekében a fedelet egésze le kell nyomni. A gyenge telepfeszültséget ismétlődő „low battery” [lemerül a telep] hangüzenet jelzi.

A fejhallgató be- és kikapcsolása (2. ábra)

A fejhallgató be- vagy kikapcsolásához tartsa lenyomva a (+) vagy a (-) gombot mintegy 2 másodpercig. Ekkor megszólal egy nyugtázó beszédhangos útmutató. A fejhallgató minden kikapcsoláskor menti az éppen aktuális beállításokat.

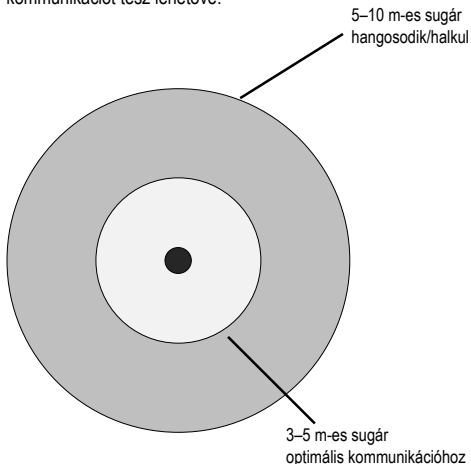
Ha két órán keresztül nem végeznek rajta semmilyen művelet, akkor a fejhallgató automatikusan kikapcsol. Erre a fejhallgató kikapcsolása előtti utolsó percben egy ismétlődő hangüzenet figyelmeztet. A kétórás leidőztetési időtartam a (+) és (-) gombbal állítható be újra.

Hangerő-beállítás (3. ábra)

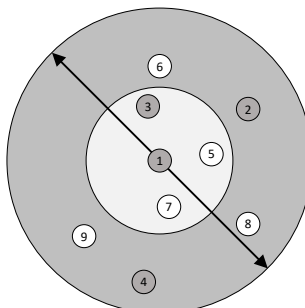
A környezethallgatás hangereje a (+) és (-) gombbal szabályozható. A négy szintbeállításon kívül a környezethallgatás ki is kapcsolható. A maximális beállítás elérésekor hangjelzés szólal meg. A környezethallgatás kikapcsolt állapotát beszédhangüzenet nyugtázza.

Szemtől szembeni kommunikáció NIB technológiával

A NIB zajos környezetben kis hatótávolságú szemtől szembeni kommunikációt tesz lehetővé.



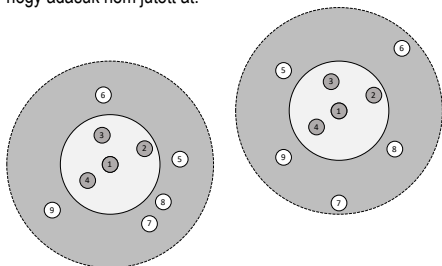
A NIB technológiával 10 m-es sugarú körzetben vezeték nélküli kommunikációra nyílik lehetőség. A hatókörön belül akár öt személy folytathat full duplex kommunikációt.



Zajos környezetben bárkivel beszélgetés kezdeményezhető megfelelő közelségbe kerülve az illetőhöz. A NIB rendszer hangereje az 5 és 10 m-es távolság között fokozatosan hangosodik, illetve halkul, hogy azokkal lehessen kommunikálni, akik közelebb tartózkodnak. Az optimális kommunikációs jeltovábbítás 3 és 5 m-es távolság között alakul ki.

A full duplex képességű jeltovábbító csatornák (1–4) foglaltsága esetén a további felhasználók (5–9) csak vételre képesek. A vételképes felhasználók számát nem is a technológia korlátozza, hanem a 10 m-es sugárban elérő személyek száma.

MEGJEGYZÉS: Ha a NIB rendszerben négynél több felhasználó kíván adást küldeni, akkor az 5. és a további felhasználókat adási kísérletkor hangjelzést figyelmezteti arra, hogy adásuk nem jutott át.



Hogy egy adott felhasználó melyik NIB-csoportba tartozik, az a többi NIB funkciók fejhallgató térbeli elhelyezkedésétől függ.

A NIB akkor lép működésbe, ha egyrészt a környezeti zajszint meghaladja a 80 dB körüli értéket, másrészt a zajszint kb. 1 másodpercig folyamatos.

A NIB akkor is aktíválódik, ha a zajszint ugyan 80 dB alatti, de a felhasználó PTT vagy VOX üzemmódban megnyomja a PTT gombot.

A NIB aktiválása (7. ábra)

A PTT gomb gyors dupla megnyomása hatására az üzemmódot NIB PTT ON/NIB OFF/NIB VOX ON állapot között vált.

A NIB PTT gomb nyomva tartásával egy 10 m-es sugár körben lehetővé válik a kommunikáció NIB VOX ON, illetve NIB PTT ON üzemmód esetén.

NIB VOX ON – Ebben az üzemmódban az erőteljes zaj aktiválja a NIB rádiót, és akár négy felhasználó számára válik lehetővé a VOX-kommunikáció. A PTT gomb megnyomása a VOX ON módban csendes kommunikációt tesz lehetővé.

Közepesen zajos környezetben működtetett fejhallgató esetén a zaj szakaszosan aktiválhatja a NIB VOX-kommunikációt. Ilyenkor használható a NIB PTT ON.

NIB PTT ON – Ebben az üzemmódban az adáshoz meg kellett nyomni a PTT gombot.

NIB OFF – Ebben az üzemmódban a NIB-rádió KIKAPCSOL. NIB OFF esetén a NIB rádió nem bocsát ki NIB RF jelet.

Push-to-talk NIB számára (8. ábra)

A NIB rendszerbeli adáshoz meg kell nyomni a bal fültekton lévő PTT gombot.

Belépés a menübe (4. ábra)

1. A menü megjelenítéséhez tartsa lenyomva a (+) és (–) gombot. Ekkor megszólal egy nyugtázó beszédhangüzenet.
2. A (–) gomb rövid megnyomásával haladhat át a menün.
3. A (+) gombbal módosítható a beállítás, illetve léptethetők ez esetleges rendelkezésre álló beállítások. Minden léptetést hangüzenet nyugtáz, amelyet az aktuális beállítás bejelentése követ. A módosításokat is hangüzenet nyugtazza. Ha néhány másodpercig nem történik műveletvégzés, akkor a rendszer a menüből visszatér a hangerő-beállítás üzemmódra. A (+) és (–) egyidejű megnyomásával a menü bármely pontjáról azonnal vissza lehet térni a hangerő-beállítás üzemmódra.

Ambient/Environmental listening mode [környezethallgatási üzemmód]

A környezethallgatási üzemmód hagyományos és speciális módban is beállítható. Hagyományos módban a környezethallgatási hangerőszint növelésével, illetve csökkentésével a hangerő négy lépésben szabályozható. Speciális módban négy különféle hangprofilra optimalizált előzetesen beállított érték közül lehet választani.

Beállítások	Rendeltetés
1. speciális üzemmód (Kényelmi)	Erősen zajos környezetben biztosít kényelmet.
2. speciális üzemmód (Párbeszéd)	Hirtelen zajok elleni védelem mellett biztosít természetes hangélményt.
3. speciális üzemmód (Órjárat)	Alacsony zajban, jó hallóképességet igénylő helyzetekben.
4. speciális üzemmód (Hallgatózó)	Csendes környezetben, kiemelkedő hallóképességet igénylő helyzetekben.

Battery [telepek]

Kiválasztható, hogy alkáli vagy újratölthető elemek vannak-e használatban.

Wireless input [vezeték nélküli bemenet]

1. Az indukciós hurok beállításakor kövesse a 3M™ PELTOR™ TEP-LOOP.* felhasználói útmutatót.
2. A csatlakoztatott indukciós hurok vezeték nélküli bemenete és érzékenysége a fejhallgató menüjében állítható be. A lehetséges állapotok: off/low/medium/high [ki/kicsi/közepes/nagy].
3. Szükség esetén a külső rádió szabályozza a hangerőt.

MEGJEGYZÉS: A fejhallgató és az indukciós hurok közti távolság függvényében változó lehet a hangerő.

Wired input [vezetékes bemenet]

A vezetékes bemenet beállítása, valamint a vezetékes eszköz reakcióérzékenysége. Válasszon a low/high [alacsony/magas] beállítás közül.

Balance [balansz]

A balansz beállításával a bal és jobb oldali hangerő aránya szabályozható. Hét különféle szint állítható be: Center, Left 1,

Left 2, Max left, Max right, Right 2, Right 1 (közép, bal 1, bal 2, max. bal, max. jobb, jobb 2, jobb 1).

Warning signals [figyelmeztető hangjelzések]

A „low battery” [gyenge telep] és az „automatic power off” [automatikus kikapcsolás] figyelmeztető hangüzenet a figyelmeztető hangjelzések beállításában tiltható, illetve engedélyezhető. Kikapcsolt állapotban ezek a figyelmeztető hangüzenetek nem hangzanak el.

Automatic power off [automatikus kikapcsolás]

Az automatikus kikapcsolás beállítás az automatikus kikapcsolás funkció tiltására, illetve engedélyezésére szolgál.

NIB frequency [NIB-frekvencia]

Észak-Amerikában, Ausztráliában és Új-Zélandon a NIB frekvenciája 915 MHz.

Európában a NIB-frekvencia 864 MHz.

Állítsa be a NIB-frekvenciát, 864 MHz (EU) or 915 MHz (NA, ANZ). A (+) gombbal jelölje ki, majd a (+) gomb nyomva tartásával hagyja jóvá.

MEGJEGYZÉS: A működési régióban előírt frekvenciát mindig be kell állítani.

Factory reset [gyári beállítás]

Az összes menübeállítást visszaállítja a gyári alapértelmezett értékre. Ezt a visszaállítást jóvá kell hagyni a (+) gomb megnyomásával, amikor a „confirm factory reset” [visszaállítási jóváhagyása] hangüzenet hallható.

A NIB HIBAKERESÉSE

Probléma	Lehetséges ok	Javaslat
A fejhallgató adáskor hangjelzést ad.	Négyen már használják a NIB csatornát.	Várjon egy megüresedő helyre.
A fejhallgató adáskor hangjelzést ad.	A hatókörben nincs másik fejhallgató.	Kerüljön egy másik fejhallgató hatókörébe.
Nem hallható a másokkal való kommunikáció.	Nem az aktuális üzemmeltetési régióban helyes NIB-frekvenciát használja.	Ki kell választani a menüben a helyes NIB-frekvenciát. Lásd: NIB-frekvencia.
Nem hallható a másokkal való kommunikáció.	A NIB nincs aktiválva.	A különféle üzemmódok között a PTT gombbal lehet váltani. Lásd: NIB aktiválása.

TISZTÍTÁS ÉS KARBANTARTÁS

A külső burkolat, a fejpánt és a fülpárnák tisztítása langyos szappanos vízzel nedvesített textillel történhet.

MEGJEGYZÉS: Tilos a hallásvédőt vízbe meríteni. Az esőtől vagy izzadságtól átnedvesedett hallásvédő fültojkait kifelé kell fordítani, azokról a fülpárnát és a szivacsbetétet el kell távolítani, majd a készülék száradását ilyen állapotban kell megvárni. A fülpárnák és a szivacsbetétek elhasználódhatnak, ezért rendszeresen meg kell vizsgálni, hogy nem keletkezett-e azokon például repedés vagy egyéb károsodás. Rendszeres használat esetén a 3M azt javasolja, hogy a felhasználó az állandó értékű zajcsillapítás, a higiénia és a kényelem érdekében évente legalább két alkalommal cserélje a szivacsbetéteket és fülpárnákat. A sérült fülpárnát ki kell cserélni. Lásd az alábbi Tartalék alkatrészek és kiegészítők című részt.

A FÜLPÁRNÁK ELTÁVOLÍTÁSA ÉS CSERÉJE

F:1 A fülpárna eltávolításához csúsztassa ujjait a fülpárna belső pereme alá, majd egyenesen húzza ki a fülpárnát.

F:2 Távolítsa el a meglévő betét(ek)et, majd helyezze be az új szivacsbetét(ek)et.

F:3 Illesse a fülpárna egyik szélét a fültekony kialakított horonyba, majd a másik oldal megnyomásával pattintsa a helyére a fülpárnát.

MIKROFONVÉDŐ SZALAG FELHELYEZÉSE

A száras beszédmikrofon nedvesség és szennyeződés elleni védelmére használjon HYM1000 mikrofonvédőt.

A mikrofonvédő felhelyezése (G ábra):

G:1 Ollóval vágjon le 100 mm mikrofonvédő szalagot. Húzza le a védő papírreteget.

G:2 Illesse a mikrofont a szalag végéhez a rajzon látható módon.

G:3 Hajtsa rá a szalagot, ügyelve a mikrofon teljes lefedésére.

G:4 Jól nyomja rá a szalagot, hogy tömítsen.

G:5 A mikrofon ekkor használatra kész.

TARTALÉK ALKATRÉSZEK ÉS KIEGÉSZÍTŐK

3M™ PELTOR™ HY68 SV higiéniai készlet
Cserélhető higiéniai készlet. Cserélje legalább évente kétszer a tartós zajcsillapítás, a higiénia és a kényelem érdekében.

3M™ PELTOR™ HY80-EU gélpárnás higiéniai készlet

3M™ PELTOR™ HY100A higiéniai korongok
Egyszer használatos védő, amely könnyen felhelyezhető a fülpárnára.

3M™ PELTOR™ MT73 vízálló mikrofon
Vízálló dinamikus beszédmikrofon.

3M™ PELTOR™ M171/2 mikrofon-szélárnyékoló

3M™ PELTOR™ HYM1000 mikrofonvédő
Nedvesség- és szélálló beszédmikrofon-védő szalag.

3M™ PELTOR™ M60/2 szélvédő a környezethang-mikrofonokhoz

3M™ PELTOR™ HY450/1 fejtetőpárnázás

Kisebb mérelettartomány beállításához összehajtható fejpánt esetén.

3M™ PELTOR™ LR03NM NiMH AAA telep

GARANCIA ÉS A FELELŐSSÉG KORLÁTOZÁSA

GARANCIA: Ha a 3M Personal Safety Division bármely terméke anyagában vagy kidolgozásában hibásnak bizonyulna, illetve az nem felelne meg garantált felhasználási célnak, akkor a 3M egyetlen kötelezettsége és az Ön kizárólagos kárpótlása az, hogy a 3M a saját belátása szerint megjavítja vagy kicseréli az ilyen részegységet vagy terméket, illetve visszatéríti annak vásárláskori árát, amennyiben Ön a problémát felénk időben jelezte, valamint csak azzal a feltétellel, hogy a termék tárolása, karbantartása és használata a 3M írásbeli útmutatójának betartásával történt. HA EZT TÖRVÉNY NEM TILTJA, A JELEN GARANCIA KIZÁRÓLAGOS, ÉS KIVÁLT MINDEN ESETLEGES KIFEJEZETT VAGY VÉLELMEZHETŐ FORGALMAZHATÓSÁGRA VAGY ADOTT CÉLRA VALÓ ALKALMASSÁGRA VONATKOZÓ VAGY MÁS MINŐSÉGI GARANCIÁT, ILLETVE OLYAN GARANCIÁT AMELY VALAMELY ÜZLETMENETI SZOKÁSBÓL VAGY GYAKORLATBÓL ERED, JOGCÍM ÉS SZABADALMI JOGOK MEGSÉRTÉSÉT KIVÉVE. A 3M a jelen garancia értelmében nem vállal semmilyen kötelezettséget az olyan esetekben, amikor a termékhibát helytelen tárolás, kezelés vagy karbantartás, illetve a termék útmutatójának be nem tartása, a termék módosítása, továbbá baleset, hanyagság vagy rendeltetészerűtlen használat okozta.

FELELŐSSÉG KORLÁTOZÁSA: AMENNYIBEN EZT TÖRVÉNY NEM TILTJA, A 3M MINDEN ESETBEN ELUTASÍJTJA A FELELŐSSÉGET A JELENT TERMÉK OKOZTA ESETLEGES KÖZVETLEN, KÖZVETETT, SPECIÁLIS, ALKALOMSZERŰ VAGY KÖVETKEZMÉNYES VESZTESÉGÉRT VAGY KÁRÉRT (BELEÉRTVE A NYERESÉGGKIESÉST), FÜGGETLENŰL A BEBIZONYOSODOTT JOGCÍMTŐL. AZ ITT FELSOROLT KÁRPÓTLÁSOK KIZÁRÓLAGOSAK.

ÁTALAKÍTANI TILOS: Ezt az eszközt a 3M vállalat előzetes írásbeli hozzájárulása nélkül tilos átalakítani. A jogosulatlan átalakítás a garanciát érvénytelenítheti, a felhasználó pedig elveszítheti az eszköz üzemeltetésére szóló jogát.

MEGJEGYZÉS:

- Tilos használt és új elemeket vegyesen a készülékbe helyezni.
- Tilos normál alkálielemeket és újratölthető elemeket vegyesen a készülékbe helyezni.
- A telepet a helyi szilárdhulladék-lerakási rendeletek betartásával kell szabályosan hulladékba helyezni.
- Csak AAA típusú eldobható vagy (egyes esetekben) NiMH újratölthető telepeket szabad behelyezni.

3M™ PELTOR™ ComTac™ VI NIB Headset MT20H682***N**

INGANGUR

Til hamingju og þakka þér fyrir að velja samskiptalaun frá 3M™ PELTOR™! Velkomin að næstu kynslóð persónuhlífa með samskiptabúnaði.

ÆTLUÐ NOTKUN

Þessum 3M™ PELTOR™ heyrnartólum er ætlað að vernda gegn hættulega háværum hávaða og háværum hljóðum, samtímis og notandinn getur heyrt umhverfshljóð með umhverfshljóðnemum, hlustað á tengd samskiptatæki og talað við aðra maður-á-mann með aðstoð samþættrar NIB-tækni (Natural Interaction Behavior) þar stöðugur hávaði er. Gert er ráð fyrir því að allir notendur lesi og skilji meðfylgjandi leiðbeiningar notenda ásamt því að kunna að nota tækið.

MIKILVÆGT

Lesstu vinsamlegast, gerðu þér grein fyrir öllum öryggisupplýsingum í leiðbeiningum þessum og farðu eftir þeim áður en þú tekur heyrnartólin í notkun. Geymdu leiðbeiningarnar til þess að geta leitað í þær síðar. Hafðu samband við tæknideild 3M (samskiptaupplýsingar er að finna á öftustu síðu).



VIÐVÖRUN

Heyrnarhlífarnar draga úr hættu á heilsutjóni vegna hávaða og annarra háværra hljóða. Séu heyrnarhlífarnar notaðar rangt eða notkun þeirra sleppt þann tíma sem dvalist er í hættulegum hávaða, getur það leitt til heymarskerðingar eða -taps. Ræddu við verkstjóra, kynntu þér leiðbeiningar notenda eða hafðu samband við tæknideild 3M til að kynna þér rétta notkun. Ef þér finnst eins og þú sért með bömull í eyrunum eða heyrir sön eða suð í eða eftir hávaða (byssuskot meðalín), eða ef þú hefur einhverja aðra ástæðu til að ætla að þú glimir við heyrnarvanda, skaltu yfirgefa hávaðasama umhverfið umsvifalaust og hafa samband við lækni og/eða verkstjóra þinn.

Sé ekki farið eftir leiðbeiningum þessum, gæti það leitt til alvarlegs líkamstjóns eða dauða:

- Sé hlustað á tónlist eða önnur hljóðskilaboð, getur það dregið úr athygli á umhverfinu og getunni til þess að heyra viðvörðunarkerki. Vertu á verði og hafðu hljóðið eins lágt stillt og mögulegt er að sætta sig við. Erfiðara getur reynt að heyra viðvörðunarkerki á vinnustaðnum á meðan hlustað er á afþreyingu.
- Notaðu ekki búnaðinn í mögulega sprengifimu umhverfi til að draga úr hættu á því að sprenging verði.

Sé ekki farið eftir leiðbeiningum þessum, gæti það dregið úr verndargetu heyrnarhlífanna og jafnvel leitt til heyrnartjóns:

- Rannsóknir benda til þess að hjá mörgum notendum sé hljóðeinangrun minni en hljóðdeyfingartöflur á umbúðum gefa til kynna vegna fráviks við að fella hlífarnar að hverjum notanda fyrir sig og fæmi hans og hvatningu til þess. Kynntu þér viðeigandi reglur um leiðbeiningar um aðlögun gilda á merkimíða og mat á hljóðdeyfingu. 3M mælir auk þess eindregið með því að kanna hvort heyrnarhlífarnar passa.

- Gættu þess að réttar heyrnarhlífarnar séu valdar, þeim komið fyrir, þær aðfældar og haldið við. Sé búnaðinum komið fyrir á ófullnægjandi hátt, dregur það úr getu hans til þess að deyta hávaða. Kynntu þér meðfylgjandi upplýsingar um rétta notkun.
- Skoðuðu heyrnarhlífarnar fyrir hverja notkun. Séu þær skemmdar, veldu þér óskaddaðar heyrnarhlífarnar eða forðastu hávaðasamt umhverfi.
- Sé naudsnyglt að bæta við frekari persónuhlífum (t.d. öryggisgleraugum, öndunargrímum o.s.frv.), ber að velja sveigjanlegar og þunnar teygjur eða bönd til þess að þau hafi sem minnst skart á heyrnarhlífapúðuna. Fjarlægðu allt annað (t.d. hár, húfur, hringar, heymartól, hreinlætishlífar o.s.frv.) sem gæti dregið úr einangrunargildi eymahlífapúðanna og vermdargildi hlífanna.
- Ekki beygja eða breyta lögum höfuðspöng eða hálsþöng og gættu þess að hún sé nógu öflug til þess að halda heyrnarhlífunum tryggilega á sínum stað.
- Eymahlífarnar og einkum þó eymnapúðar geta orðið lélegir með tímanum og þá þarf að skoða með reglulegu millibili í leit að t.d. sprungum og hljóðleka. Séu heyrnarhlífapúðarnir notaðir reglulega, ber að skipta um þá og frauðhringina að minnsta kosti tvisvar á ári til þess að viðhalda fullnægjandi vernd, hreinlæti og þægindum.
- Frágangur rafeindarásar í þessum heyrnarhlífum getur farið fram yfir dagleg hávaðamörk. Hafðu hljóðið eins lágt stillt og mögulegt er að sætta sig við.
- Sé ekki farið eftir ofangreindum kröfum, skerðir það verndareiginleika heyrnarhlífanna verulega.

EN 352 Öryggisfyrirlysingar:

- Frágangur styrkstýrðrar rásar í þessum heyrnarhlífum gæti farið fram yfir dagleg hávaðamörk.
- Séu einnota hlífarnar notaðar getur það haft áhrif á hljóðfræðilega eiginleika eymahlífanna.
- Afköst geta minnkað eftir því sem rafhlöðuhleðsla minnkar. Gera má ráð fyrir því að rafhláða í eymahlífunum endist dæmigert við samfellda notkun:
 - LDF og NIB: 30 klst.
 - LDF: 50 klst.
- Ákveðin efnaræðileg efni geta valdið tjóni á vöru þessari. Nánari upplýsingar má fá hjá framleiðanda.
- Þessar heyrnarhlífarnar eru í stærðinni litlar. Eymahlífarnar sem uppfylla kröfur EN 352-1 eru í „millistærð“ eða „litilli stærð“ eða „stóri stærð“. Heyrnarhlífarnar í „millistærð“ henta meirihluta notenda. Eymahlífarnar í „litilli stærð“ eða „stóri stærð“ eru hannaðar fyrir notendur sem ekki geta notað millistærðina.
- Vara þessi hentar ekki fyrir háværan og samfelldan lágtíðni hljóðstyrk.

VARUÐ:

- Sé röng rafhláða notuð, getur verið hættu á sprengingu.
- Notaðu ávallt sértílgreinda 3M varahluti. Sé notast við aðra varahluti en upprunalega gæti það dregið úr verndinni sem varan á að veita.

ATHUGASEMD

- Þegar heyrnarhlífarnar eru notaðar í samræmi við leiðbeiningar notenda, draga þær bæði úr stöðugum hávaða, svo sem í iðnaði eða frá ökutækjum og flugvéllum,

og skyndilegum hávaða, til dæmis byssuskotum. Erfitt er að segja fyrir um þá heyrnarvernd sem þörf er á eða í raun er veitt hvað varðar váhrif af skyndilegum hávaða. Það hefur áhrif á vernd gegn hávaða frá byssuskotum um hvaða tegund vopns er að ræða, hve mörgum skotum er hleypt af, hvaða heyrnarhlífar eru valdar, hvernig þær passa og eru notaðar, hvernig um þær er annast og fleira. Kynntu þér betur heyrnarvernd gegn skyndilegum hávaða á vefsíðunni www.3M.com/hearing.

- Heyrartólin eru búið styrkstýrðri hljóðdeyfiging. Notandi ætti að kynna sér rétta notkun þeirra áður en hún hefst. Ef hljóð er bjagað eða vart verður við bilun ætti notandi að leita ráða hjá framleiðanda um viðhald og hvernig skipta á um rafhlöðu.
- Á heyrnarhlífunum er innstunga fyrir hljóðtæki. Notandi ætti að kynna sér rétta notkun þeirra áður en hún hefst. Ef hljóð er bjagað eða vart verður við bilun ætti notandi að leita lausna í handbók framleiðanda.
- Hitastig við notkun: -20°C (-4°F) til 55°C (131°F)
- Hitastig við geymslu: -20°C (-4°F) til 55°C (131°F)
- Þyngd heyrnarhlífanna: MT20H682FB-**N** = 340 g, MT20H682BB-**N** = 313 g, MT20H682FB-**N** (HY80) = 379 g.
- Geymsluþol: 5 ár, að undanteknum rafhlöðum.

VOTTANIR

3M Svenska AB lýsir því hér með yfir að Bluetooth® búnaðurinn uppfyllir samræmiskröfur í Tilskipun 2014/53/ESB og öðrum viðeigandi tilskipunum til þess að standast kröfur um CE-merkingu. 3M Svenska AB lýsir því einnig yfir að PPE-gerðar heyrartólin séu í samræmi við reglugerð (ESB) 2016/425 eða ESB-tilskipun 89/686/EES.

Hægt er að fá upplýsingar um viðeigandi löggjöf með því að sækja samræmisfirlýsingu (DoC) á www.3M.com/peltor/doc. Samræmisfirlýsingin sýnir einnig ef áður gerðarvottanir gilda um þau. Þegar samræmisfirlýsing er sótt, finnu vinsamlegast hlutanúmer þitt. Þú finnur hlutanúmer eymahlífanna neðst á annarri skálinni. Dæmi um það má sjá á myndinni hér að neðan.



PPE-vara er endurskoðuð árlega (sé hún í flokki III) og gerðarvottuð af Finnish Institute of Occupational Health, vottunarskottun nr. 0403, Topeliuksenkatu 41 b, FI-00250 Helsinki, Finnlandi. Varan hefur verið prófuð og vottuð í samræmi við EN 352-1:2002, EN 352-4:2001/A1:2005 og EN 352-6:2002

Hægt er að fá send afrit af samræmisfirlýsingu og viðbótarupplýsingum sem krafist er í tilskipunum með því að hafa samband við 3M í því landi sem varan var keypt. Upplýsingar um tengiliði má finna aftast í þessum notendaleiðbeiningum.



Varan inniheldur bæði rafeinda- og rafmagnsbúnað og því má ekki farga henni með venjulegu sorpi. Kynntu þér vinsamlegast reglur á hverjum stað um förgun rafeinda- og rafmagnsbúnaðar.

HLJÓÐDEYFIGING Í RANNSÓKNARSTOFU

SNR-hljóðdeyfigildi var fundið þegar slökkt var á tækinu. Útskýringar á töflu yfir deyfigildi:

Evrópustaðall EN 352

Rannsóknir benda til þess að hjá mörgum notendum sé hljóðeinangrun minni en hljóðdeyfigingartölur á umbúðum gefa til kynna vegna frávíka við að fella hlífarnar að hverjum notanda fyrir sig og færni hans og hvatningu til þess. Kynntu þér viðeigandi reglur um leiðbeiningar um aðlögun gilda á merkimiða og mat á hljóðdeyfiging. 3M mælir auk þess eindregið með því að kanna hvort heyrnarhlífar passa.

A:1 Tíðni (Hz)

A:2 Meðal hljóðdeyfiging (dB)

A:3 Staðalfrávik (dB)

A:4 Ætlað verndargildi, APV (dB)

A:5

H = Mat á heyrnarvernd vegna hátíðnihljóða ($f \geq 2.000$ Hz).

M = Mat á heyrnarvernd vegna millitíðnihljóða

(500 Hz < f < 2.000 Hz).

L = Mat á heyrnarvernd vegna lágtíðnihljóða ($f \leq 500$ Hz).

A:6 Viðmiðunarstig

H = Viðmiðsstyrkur fyrir hátíðnihljóð

M = Viðmiðsstyrkur fyrir millitíðnihljóð

L = Viðmiðsstyrkur fyrir lágtíðnihljóð

A:7 Evrópustaðall EN 352-6 Ílagsstyrkur ytri hljóðgjafa

A:8 Styrkur hljóðmerkis inn U (mV, RMS)

A:9 Meðalstyrkur hljóðþrýstings (dB(A))

A:10 Staðalfrávik hljóðþrýstings (dB)

A:11 Styrkur hljóðs inn þar sem meðaltalið plús eitt staðalfrávik jafngildir 82 dB(A)

B) Ástralíu/Nýja-Sjálands staðall AS/NZS 1270:2002

B:1 Prófunartíðnir

B:2 Meðal hljóðdeyfiging, Meðal hl.d.

B:3 Staðalfrávik, Staðalfr.v.

B:4 Meðaltal minus SFV

ÍHLUTIR

C:1 Samanfellanleg höfuðspöng

C:2 Stuðningsarmur skálar

C:3 Tveggja punkta festingar

C:4 Skál

C:5 Rafhlöðulok

C:6 Hljóðnemi fyrir umhverfislustun

C:7 Deyfipúði

C:8 Eyrnapúði

C:9 Innstunga fyrir ytri búnað (aðeins ákveðnar gerðir)

C:10 Talnemi (aðeins ákveðnar gerðir)

C:11 Hálsspöng

C:12 Innstunga fyrir talnema (J22) (aðeins ákveðnar gerðir)

C:13 [-] hnappur á talnaborði

C:14 [+] hnappur á talnaborði

C:15 NIB PTT

LEIÐBEININGAR UM UPPSETNINGU

Höfuðspöng

D:1 Dragðu skálarnar út og hallaðu efri hluta skeljanna út, tengisnúran verður að vera utan við höfuðspöngina.

D:2 Stílltu hæð skálanna með því að draga þær upp eða niður á meðan höfuðspönginni er haldið niðri.

D:3 Höfuðspöngin ætti að liggja yfir hvirfilinn eins og sýnt er og þyngd heymartólanna ætti að hvíla þar.

Hálsspöng

D:4 Settu skálarnar á sinn stað yfir eyrunum.

D:5 Haltu skálunum á sínum stað, komdu höfuðbandinu fyrir efst á höfðinu og smelltu því í rétta stöðu.

D:6 Höfuðbandið ætti að liggja þvert yfir hvirfilinn.

E:1-E:2 Að koma talnema fyrir

Talneminn verður að vera mjög nálægt munn (nær en 3 mm eða 1/8 ú tommu) í hávaðasömu umhverfi svo hann skili hámarks afköstum þar.

ATHUGASEMD: Þegar varan er notuð í mikilli hæð/flugi, getur dregið mjög hratt úr þrýstingi í umhverfinu og það haft áhrif á næmi hljóðnemans, til dæmis þegar þyrta hækkar flugið. Ef þetta gerist skal færa hljóðnemann nær og/eða tala hærra til að auka þrýstinginn á hljóðnemahimnuna.

LEIÐBEININGAR UM NOTKUN

Að skipta um rafhlöður (1. mynd)

- 1-2. Losaðu lokin af rafhlöðuhólfinu og settu rafhlöðurnar í (2xAAA).
3. Rafhlöðurnar verða að snúa rétt miðað við merkingu í rafhlöðuhólfi.
4. Lokunum þarf að þrýsta alla leið niður til þess að tryggja góða einangrun. Þegar hleðsla minnkar, heyrast raddskilaboðin „Low battery“ (rafhlaða að tæmast) endurtekni.

Að kveikja og slökkva á heymartólunum (2. mynd)

Þrýstu á [+] eða [-] hnappinn í um það bil tvær sekúndur til að kveikja eða slökkva á heymartólunum. Raddskilaboð staðfesta. Gildandi stílling vistast alltaf þegar slökkt er á heymartólunum.

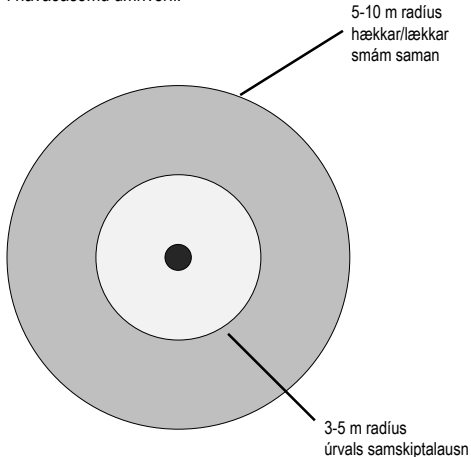
Það slökknar sjálfkrafa á heymartækjunum eftir tvo tíma án virkni. Raddskilaboð gefa það til kynna síðustu mínútna áður en það slökknar á heymartólunum. Þrýstu á [+] eða [-] hnappinn til að endurstílla tveggja tíma biðtímann.

Að stilla hljóðstyrk (3. mynd)

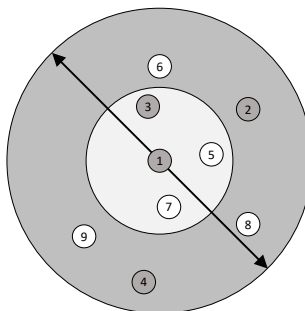
Þrýstu á [+] eða [-] til að stilla hljóðstyrk umhverfishlustunar. Í boði eru fjórar styrkstíllingar auk þess að slökkva á umhverfishlustun. Hámarksstílling er gefin til kynna með píphljóði. Raddskilaboð gefa til kynna að slökkt sé á umhverfishlustun.

Augliti-til-auglitis samskipti með NIB-tækni

NIB gefur kost á samskiptum augliti-til-auglitis í lítilli fjarlægð í hávaðasömu umhverfi.



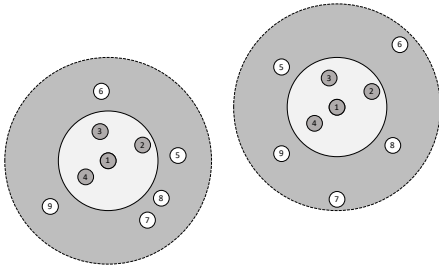
NIB-tæknin gefur kost á þráðlausum samskiptum innan 10 m raddi. Innan þeirra marka nást óskert samskipti allt að fjögurra í báðar áttir.



Þú gengur einfaldlega nálægt þeim sem þú vilt ræða við í hávaðasömu umhverfi. NIB-tæknin lækkar eða hækkar mjúklegra (innan 5-10 m raddi) og gefur kost á samskiptum við fólk í næsta nágrenni. Haltu þig innan 3-5 m raddi til að ná sem bestri tengingu.

Þegar allar fjórar samskiptarársimar í báðar áttir eru uppteknar (1-4), geta aðrir engu að síður hlustað en ekki tekið þátt í samskiptunum (5-9). Efri mörk hlustenda ráðast fremur af fjölda fólks innan 10 m raddi en því sem tæknin leyfir.

ATHUGASEMD: Þegar fleiri en fjórir notendur reyna að senda um NIB, heyrir 5. notandinn og síðan þeir næstu tónmerki sem gefur til kynna að boðið hafi ekki borist áfram.



Það ræðst af því hvað þú og hin NIB-heyrnartólin eru, til hvaða NIB-hóps þú heyrir.

NIB virkar þegar umhverfshljóð fara upp fyrir um 80 dB og þegar hávaðinn heldur áfram í um 1 sekúndu.

NIB virkar einnig undir 80 dB, þrýsti notandinn á PTT í annað hvort PTT-ham eða VOX-ham.

Að virkja NIB (7. mynd)

Sé tvísmellt hratt á PTT, er skipt á milli NIB PTT Á/NIB AF/NIB VOX Á.

Sé NIB PTT-hnappi haldið niðri er hægt að eiga samskipti innan 10 m radius í NIB VOX Á ham og NIB PTT Á ham.

NIB VOX Á - Í þessum ham virkja hávaðasöm hljóð NIB-viðtækið og opna á VOX í NIB VOX Á ham og NIB PTT Á ham. Sé þrýst á PTT-hnappinn í VOX Á ham, má einnig eiga samskipti í hljóðlátu umhverfi.

Þegar heyrnartólin eru notað í umhverfi með ósamfelldum hávaða, getur hann virkjað NIB VOX endurtekið. Við þær aðstæður má nota NIB PTT Á.

NIB PTT Á - Í þessum ham þarf að þrýsta á PTT-hnappinn til að senda.

NIB AF - Þessi hamur SLEKKUR Á NIB-viðtækinu Við NIB AF berst ekkert RF-merki frá NIB-viðtækinu.

Ýta-og-tala fyrir NIB (8. mynd)

Haltu PTT-hnappinum á vinstri skál niðri til að senda um NIB.

Að fara í valmynd (4. mynd)

1. Þrýstu á [+] eða [-] hnappinn til að fá valmynd. Raddskilaboð staðfesta valið.
2. Þrýstu stutt á [-] hnappinn til að skipta á milli valmyndarkosta. Þrepum valmyndar er lýst hér að neðan.
3. [+] hnappurinn er notaður til að breyta stillingu og fara í gegnum stillingar í boði, séu þær til staðar. Raddskilaboð staðfesta hvert þrep ásamt gildandi stillingu. Raddskilaboð staðfesta einnig breytingar. Valmynd fer aftur á styrkstillingarstöðu, hafi engu verið breytt í nokkrar sekúndur. Þrýstu á [+] eða [-] hnappinn til þess að fara beint í styrkstillingu hvar sem er í valmyndinni.

Ambient/Environmental listening mode (Umhverfislustunarhamur)

Umhverfislustunarhamur er í boði sem hefðbundinn eða ýtarlegur hamur. Hefðbundinn hamur gefur kost á fjögurra þrepa styrkstillingu með því að hækka eða lækka hljóðstyrk umhverfislustunar. Ýtarlegur hamur býður upp á fjórar forstillingar finstilltar fyrir mismunandi hljóðsnið.

Stilling	Ætluð notkun
Ýtarlegur hamur 1 (Þægilegt)	Tryggir þægindi í mjög hávaðasömu umhverfi.
Ýtarlegur hamur 2 (Samtal)	Fyrir eðlilega hlustun þar sem þörf er fyrir vernd gegn skyndilegum hávaða.
Ýtarlegur hamur 3 (Á verði)	Þegar sýna þarf mikla varkárni á ferð um umhverfi með lítum hávaða.
Ýtarlegur hamur 4 (Vöktun)	Mikil varkárni í þöglu umhverfi.

Battery (Raflaða)

Veldu rétta rafljóðtegund miðað við heyrnartól þín, alkaline eða hleðslurafhlöðu.

Wireless input (Þráðlaust hljóð inn)

1. Farðu eftir leiðbeiningum fyrir 3M™ PELTOR™ TEP-LOOP.* til að setja upp hálslykkjuna.
2. Opnaðu valmynd heyrnartólanna til þess að stilla þráðlaust hljóð inn og næmi í samræmi við tengda hálslykkju. Veldu Af/Lágt/Miðlungs/Hátt (Off/Low/Medium/High).
3. Stilltu hljóðstyrkinn á viðtækinu ef með þarf.

ATHUGASEMD: Hljóðstyrkur getur verið breytilegur og ræðst af fjarlægðinni á milli heyrnartóla og hálslykkju.

Wired input (Tengt frálág)

Stilltu tengda frálagið og næmi í samræmi við tengt tæki. Veldu Lágt/Hátt (Low/High).

Balance (Jafnvægi)

Jafnvægisstillingin stillir jafnvægi á hljóðstyrk á milli hægri og vinstri eyra. Jafnvægisstillingarnar eru sjó: Miðja, Vinstri 1, Vinstri 2, Hám. vinstri, Hám. hægri, Hægri 2, Hægri 1 (Center, Left 1, Left 2, Max left, Max right, Right 2, Right 1).

Warning signals (Viðvöruntákn)

Viðvöruntáknið er notað til þess að afvirkja/virkja viðvaranirar „low battery“ og „automatic power off“ (Raflaða að tæmast og Slekkur á sér sjálfkrafa). Sé slökkt, heyrst hvorug þessara viðvarana.

Automatic power off (Sjálfvirk slökkt á tækinu)

Stillingin Sjálfvirk slökkt á tækinu afvirkjar/virkjar það að tækið slökki á sér sjálf.

NIB frequency (NIB-tíðni)

Tíðni NIB er 915 MHz í Norður-Ameríku, Ástralíu og Nýja-Sjálandi.

Tíðni NIB er 864 MHz í Evrópu.

Veldu NIB-tíðni, 864 MHz (ESB) eða 915 MHz (NA, ANZ).

Þrýstu á [+] til að velja og haltu [+] niðri til að staðfesta valið.

ATHUGASEMD: Gættu þess að nota viðurkennda tíðni í þeim heimshluta þar sem þú ert.

Factory reset (Verksmiðjustillingar)

Þessi kostur endurstillir allar valmyndir í gildi frá verksmiðju. Þessa stillingu þarf að staðfesta með því að þrýsta á [+] þegar raddskilaboðin „confirm factory reset“ (staðfestið verksmiðjustillingar) heyrast.

ÚRRÆÐALEIT FYRIR NIB

Vandamál	Mögulegar ástæður	Tillaga að lausn
Heyrnatólin pípa í sendingu.	NIB-rás upptekin af fjórum.	Bíddu uns þú kemst að.
Heyrnatólin pípa í sendingu.	Engin önnur heyrnatól innan seilingar.	Gættu þess að önnur heyrnatól séu innan seilingar.
Heyri hvorki né get átt samskipti við aðra.	Þú notar ekki rétta NIB-tíðni fyrir þinn heimshluta.	Veldu rétta NIB-tíðni í valmynd. Sjá NIB-tíðni.
Heyri hvorki né get átt samskipti við aðra.	NIB er ekki í gangi.	Skiptu á milli hama með PTT-hnappnum. Sjá Virkja NIB.

HREINSUN OG VIÐHALD

Notaðu klút vættan í sápu og heitu vatni til þess að hreinsa ytri skálar, höfuðspöng og eyrnarpúða.

ATHUGASEMD: EKKI setja heyrnarhlífarnar ofan í vatn. Ef heyrnarhlífarnar blotna í rigningu eða af svita, skaltu snúa eyrnahlífunum út, fjarlægja eyrnarpúða og frauðfóður og láta allt þorna áður en þær eru settar saman á ný. Eyrnapúðar og frauðfóður getur skemmst við notkun og leita ætli reglubundið að sprungum í þeim og öðrum skemmdum. 3M mælir með því að skipt sé um frauðfóður og eyrnarpúða að minnsta kosti tvisvar á ári við reglubundna notkun til þess að tryggja áreiðanlega hljóðdeyfingu, hreinlæti og þægindi. Skemmist eyrnarpúði, ber að skipta um hann. Sjá kafa um varahluti hér að neðan.

AÐ FJARLÆGJA UM EYRNAPÚÐA OG SKIPTA UM ÞÁ

F:1 Settu fingur undir innri brún eyrnarpúðans og kiptu honum ákveðið beint út til þess að fjarlægja hann.

F:2 Fjarlægðu frauðfóður sem fyrir er og settu nýtt í staðinn.

F:3 Komdu annarri hlið eyrnarpúðans fyrir í grópinni á eyrnaskálinni og þrýstu svo á hinum megin þar til eyrnarpúðinn smellur á sinn stað.

AÐ SETJA Á HLJÓÐNEMAHLÍFALÍMBAND

Notaðu HYM1000 hljóðnemahlíf til þess að vernda talnemann gegn raka og óhreinindum.

Að festa hlífina (mynd G):

G:1 notaðu skæri til að klippa 100 mm langan

hljóðnemahlífarkút. Fjarlægðu verndarrenninginn.

G:2: Settu hljóðnemann á enda límbandsins eins og sýnt er á myndinni.

G:3 Brettu hljóðnemalímbandið og gættu þess að það þeki hljóðnemann.

G:4 Þrýstu vel á svo hlífðarlímbandið gripi vel.

G:5 Hljóðneminn er nú tilbúinn til notkunar.

VARAHLUTIR OG FYLGIHLUTIR

3M™ PELTOR™ HY68 SV Hreinlætisbúnaður
Útskipanlegt hreinlætisset. Skiptu um a.m.k. tvisvar á ári til að tryggja samfellda deyfingu, hreinlæti og þægindi.

3M™ PELTOR™ HY80-EU Gelpúðahrelnlætisset

3M™ PELTOR™ HY100A Einnota hlíf
Einnota hlíf sem auðvelt er að koma fyrir á eyrnarpúðana.

3M™ PELTOR™ MT73 Vatnspéttur hljóðnemi
Vatnspéttur dýnamískur talnemi.

3M™ PELTOR™ M171/2 Vindhlíf fyrir hljóðnema

3M™ PELTOR™ HYM1000 Hljóðnemahlíf
Raka- og vindhelt límband sem verndar talnemann.

3M™ PELTOR™ M60/2 Vindhlíf fyrir umhverfshljóðnema

3M™ PELTOR™ HY450/1 Höfuðpúði
Hentar þar sem samantellanlegar höfuðspangir eru notaðar á lítið eða meðalstórt höfuð.

3M™ PELTOR™ LR03NM Rafhlaða AAA NiMH

ÁBYRGÐ OG TAKMÖRKUÐ SKAÐABÓTASKYLDA

ÁBYRGÐ: Komi í ljós að einhver vara frá 3M Personal Safety Division sé gölluð hvað efnivið eða handbragð varðar og ekki í samræmi við ótvíræða ábyrgð varðandi sérstakan tilgang, er eina skuldbinding 3M og úrbót þér til handa sú að 3M velur sjálf um að gera við, skipta um eða endurgreiða þér kaupverð viðkomandi hluta eða vöru, að því tilskilyldu að þú hafir tilkynnt í tíma um vandamálið og að staðfest sé að varan hafi verið geymd, henni viðhaldið og hún notuð í samræmi við skriflegar leiðbeiningar 3M. ÁBYRGÐ ÞESSI EINSKORÐAST VIÐ OG KEMUR Í STAÐINN FYRIR ALLA YFIRLÝSTA ÁBYRGÐ EDA ÁBYRGÐ SEM GEFIN ER Í SKYN UM SELJANLEIKA, GAGNSEMI Í ÁKVÆÐNUM TILGANGI EDA AÐRA ÁBYRGÐ UM GÆÐI EDA ÁBYRGÐ SEM SPRETTUR AF SÖLU, VENJU EDA NOTKUN Í STARFI, NEMA HVAD VARDAR TILKALL OG VEGNA BROTA GEGN EINKALEYFI. 3M ber samkvæmt ábyrgð þessari engar skyldur vegna einnarr vöru sem ekki skilar ætluðum árangri vegna ófúlnægjandi eða rangrar geymslu, meðferðar eða viðhalds, þegar ekki er farið eftir leiðbeiningum með vörunni eða þegar henni er breytt eða hún skemmd af slysi eða vegna vanrækslu eða rangrar notkunar.

TAKMÖRKUN Á ÁBYRGÐ: 3M SKAL AÐ ENGU LEYTI

BERA ÁBYRGÐ Á NEINU BEINU, ÓBEINU, SÉRSTÖKU, TILFALLANDI EÐA AFLEIDDU TJÓNI EÐA SKEMMDUM (ÞAR MEÐ TALIÐ HAGNAÐARTAP) SEM SPRETTUR AF VÖRU ÞESSARI, BURTSÉÐ FRÁ ÞVÍ HVADA LAGAKENNINGUM ER BEITT, NEMA ÞAR SEM ÞAÐ ER LÖGUM SAMKVÆMT BANNAÐ. ÚRRÆÐI EINSKORÐAST VIÐ ÞAÐ SEM HÉR ER GREINT FRÁ.

ENGAR BREYTINGAR: Ekki skal gera neinar breytingar á tæki þessu nema með skriflegu samþykki 3M fyrirtækisins. Óheimilar breytingar gætu ógilt ábyrgð og heimild notanda til þess að nota tækið.

ATHUGASEMD:

- Ekki nota saman gamlar og nýjar rafhlöður.
- Ekki nota saman alkaline, venjulegar eða hleðslurafhlöður.
- Farðu eftir reglum á hverjum stað um förgun fastra efna til að farga rafhlöðum á ábyrgan hátt.
- Notaðu aðeins AAA einnota rafhlöður eða NiMH hleðslurafhlöður (eins og við á).

3M™ PELTOR™ ComTac™ VI NIB Headset MT20H682**.*N**

INTRODUZIONE

Congratulazioni e grazie per aver scelto le soluzioni di comunicazione 3M™ PELTOR™! Siamo lieti di presentare la nuova generazione di protezioni che consentono la comunicazione!

USO PREVISTO

Questi headset 3M™ PELTOR™ sono progettati per proteggere gli utenti da livelli di rumore pericolosi e suoni forti pur consentendo loro l'ascolto dei suoni circostanti per mezzo di microfoni ambientali, l'ascolto dei dispositivi di comunicazione collegati e la comunicazione faccia a faccia mediante tecnologia Natural Interaction Behavior (NIB) integrata in ambienti con livelli di rumore costantemente elevati. Tutti gli utenti sono tenuti a leggere e comprendere le istruzioni fornite ed a familiarizzare con l'uso di questo dispositivo.

IMPORTANTE

Leggere, comprendere e rispettare tutte le informazioni importanti per la sicurezza nelle presenti istruzioni prima dell'uso. Conservare le presenti istruzioni per riferimento futuro. Per ulteriori informazioni o eventuali domande, contattare l'assistenza tecnica 3M (i contatti sono riportati nell'ultima pagina).



AVVERTENZA

Queste protezioni acustiche contribuiscono a ridurre l'esposizione a rumori pericolosi e altri suoni forti. Il mancato utilizzo o l'uso improprio delle protezioni acustiche può causare lesioni o perdita dell'udito in caso di esposizione a rumori pericolosi. Per il corretto utilizzo, rivolgersi al proprio superiore, consultare le presenti istruzioni o contattare l'assistenza tecnica 3M. Se l'udito diventa monotono oppure si avverte un tintinnio o un brusio durante o dopo l'esposizione ai rumori (compresi i colpi d'arma da fuoco), o se per qualsiasi altro motivo si sospetta un problema all'udito, l'udito potrebbe essere a rischio. Lasciare immediatamente l'ambiente rumoroso e consultare un medico del lavoro e/o il proprio superiore.

Il mancato rispetto di queste istruzioni può provocare gravi lesioni personali o morte:

- L'ascolto della musica o altre comunicazioni audio possono ridurre la propria consapevolezza situazionale e la propria capacità di udire i segnali di avvertimento. Rimanere sempre all'erta e regolare il volume audio al livello minimo accettabile. L'udibilità dei segnali di avvertimento in un determinato luogo di lavoro può essere compromessa dall'uso della funzione di intrattenimento.
- Per ridurre i rischi associati all'innescio di un'esplosione, non utilizzare questo prodotto in un'atmosfera potenzialmente esplosiva.

Il mancato rispetto di queste istruzioni può compromettere la protezione offerta dalle cuffie e provocare la perdita dell'udito:

- Le ricerche evidenziano che molti utenti possono riscontrare un'attenuazione del rumore inferiore ai valori indicati sulla

confezione, in seguito a variazioni di aderenza, correttezza di montaggio e motivazione dell'utente. Fare riferimento ai regolamenti applicabili per ulteriori indicazioni su come adattare i valori riportati e stimare il livello di attenuazione. Inoltre, 3M raccomanda di verificare sempre l'aderenza delle protezioni acustiche prima dell'uso.

- Accertarsi che la protezione acustica sia stata scelta, indossata, regolata e sottoposta a manutenzione correttamente. L'inserimento errato del dispositivo riduce l'efficacia di attenuazione del rumore. Per l'inserimento corretto, consultare le istruzioni allegate.
- Ispezionare accuratamente la protezione acustica prima di ogni utilizzo. In caso di danni, scegliere una protezione acustica integra o evitare l'ambiente rumoroso.
- Qualora si renda necessario l'uso di ulteriori dispositivi di protezione individuale (ad es. occhiali protettivi, respiratori ecc.), si raccomandano stanghette flessibili, piatte e sottili oppure cinghie tali da ridurre al minimo l'interferenza con la tenuta degli auricolari. Rimuovere tutti gli altri elementi non necessari (ad es. capelli, cappelli, gioielli, inserti auricolari, coperture igieniche ecc.) che potrebbero interferire con la tenuta degli auricolari e compromettere la protezione offerta dalle cuffie.
- Evitare di piegare e rimodellare la bardatura temporale o nucale e accertarsi che presenti una forza adeguata per mantenere saldamente in posizione le cuffie.
- Le cuffie protettive e gli auricolari in particolare sono soggetti a normale usura e devono essere controllati regolarmente onde rilevare eventuali crepe o infiltrazioni di rumore. In caso di utilizzo regolare, si raccomanda di sostituire gli auricolari e i rivestimenti in schiuma almeno due volte all'anno, per mantenere un livello elevato di protezione, igiene e comfort.
- Il segnale in uscita dal circuito audio elettrico di questa protezione acustica può superare il livello acustico limite giornaliero. Regolare il volume audio al livello minimo accettabile.
- Il mancato rispetto delle presenti raccomandazioni può compromettere seriamente il livello di protezione delle cuffie.

Indicazioni di sicurezza a norma EN 352:

- Il segnale in uscita dal circuito dipendente dal livello di rumore di questa protezione acustica può superare il livello del rumore esterno.
- Il montaggio di kit igienici sugli auricolari può compromettere le caratteristiche di attenuazione del rumore delle cuffie.
- Le prestazioni possono diminuire di pari passo all'uso della batteria. In caso di utilizzo continuo, le batterie delle cuffie presentano generalmente un'autonomia di circa:
 - LDF e NIB: 30 ore
 - LDF: 50 ore
- Questo prodotto può essere intaccato da diverse sostanze chimiche. Ulteriori informazioni possono essere richieste al produttore.
- Queste cuffie sono di taglia Small. Le cuffie conformi alla norma EN 352-1 sono di taglia Medium, Small o Large. Le cuffie di taglia Medium sono adatte alla maggior parte degli utenti. Le cuffie di taglia Small o Large sono progettate per gli utenti per i quali la taglia Medium non è adatta.
- Il prodotto non è indicato per livelli costantemente elevati di rumori a bassa frequenza.

ATTENZIONE

- In caso di sostituzione con un tipo errato, sussiste il rischio di esplosione della batteria.
- Utilizzare sempre ricambi specifici per il prodotto 3M. L'uso di ricambi non autorizzati può compromettere il livello di protezione fornito dal prodotto.

NOTA

- Se utilizzate nel rispetto delle presenti istruzioni per l'uso, queste protezioni acustiche contribuiscono a ridurre l'esposizione sia ai rumori continui, quali rumori industriali o di veicoli e aeromobili, che ai rumori impulsivi estremamente elevati, fra cui i colpi d'arma da fuoco. È difficile prevedere la protezione acustica richiesta e/o effettiva in caso di esposizione a rumori impulsivi. Ad esempio, per i colpi d'arma da fuoco, il tipo di arma e il numero di proiettili sparati, ma anche la scelta, l'inserimento e l'utilizzo corretti della protezione acustica, la sua corretta conservazione e altre variabili influenzano le prestazioni. Per saperne di più sulle protezioni acustiche per i rumori impulsivi, visitare il sito www.3M.com/hearing.
- Queste cuffie sono dotate di funzione dipendente dal livello di rumore. L'utente deve verificarne il corretto funzionamento prima dell'uso. In caso di anomalia o difetto, l'utente deve rivolgersi al produttore per informazioni sulla manutenzione e sulla sostituzione della batteria.
- Queste cuffie sono dotate di ingresso audio elettrico. L'utente deve verificarne il corretto funzionamento prima dell'uso. In caso di distorsioni o difetti, l'utente deve rivolgersi al produttore per maggiori informazioni.
- Temperatura di esercizio: da -20°C (-4°F) a 55°C (131°F)
- Temperatura di conservazione: da -20°C (-4°F) a 55°C (131°F)
- Peso della protezione acustica: MT20H682FB-**N** = 340 g, MT20H682BB-**N** = 313 g, MT20H682FB-**N** (HY80) = 379 g.
- Durata: 5 anni, batterie escluse.

CERTIFICAZIONI

Con la presente, 3M Svenska AB dichiara che la comunicazione radio è conforme alla Direttiva 2014/53/UE e alle altre direttive appropriate, quindi soddisfa i requisiti previsti per il marchio CE. 3M Svenska AB dichiara inoltre che il DPI di tipo headset è conforme al Regolamento (UE) n. 2016/425 o alla Direttiva 89/686/CEE.

La legislazione applicabile può essere determinata facendo riferimento alla Dichiarazione di Conformità (DoC) all'indirizzo www.3M.com/peltor/doc. La DoC riporta inoltre eventuali altre omologazioni di tipo applicabili. Per scaricare la DoC corretta, fare riferimento al numero di particolare del prodotto. Il numero di particolare delle cuffie è riportato sotto una delle coppe, come illustrato di seguito.



Questo DPI è soggetto a revisione annuale (per i prodotti di Categoria III) ed esame del tipo da parte di Finnish Institute of Occupational Health, Organismo notificato numero 0403, Topeliuksenkatu 41 b, FI-00250 Helsinki, Finlandia. Il prodotto è stato testato e omologato in conformità alle norme EN 352-1:2002, EN 352-4:2001/A1:2005, EN 352-6:2002.

Una copia della DoC e maggiori informazioni sulle Direttive applicabili possono essere richieste contattando 3M nel Paese di acquisto. Per i contatti, vedere le ultime pagine delle presenti istruzioni per l'uso.



Il prodotto contiene componenti elettrici ed elettronici, quindi non deve essere smaltito fra i rifiuti generici. Consultare le normative locali in merito allo smaltimento delle apparecchiature elettriche ed elettroniche.

ATTENUAZIONE IN LABORATORIO

Il grado di riduzione del rumore (SNR) è stato ottenuto con il dispositivo spento. Legenda delle tabelle di attenuazione:

Normativa europea EN 352

Le ricerche evidenziano che molti utenti possono riscontrare un'attenuazione del rumore inferiore ai valori indicati sulla confezione, in seguito a variazioni di aderenza, correttezza di montaggio e motivazione dell'utente. Fare riferimento ai regolamenti applicabili per ulteriori indicazioni su come adattare i valori riportati e stimare il livello di attenuazione. Inoltre, 3M raccomanda di verificare sempre l'aderenza delle protezioni acustiche prima dell'uso.

A:1 Frequenza (Hz)

A:2 Attenuazione media (dB)

A:3 Deviazione standard (dB)

A:4 Valore di protezione previsto, APV (dB)

A:5

H = Protezione acustica stimata per i suoni ad alta frequenza ($f \geq 2.000$ Hz).

M = Protezione acustica stimata per i suoni a media frequenza ($500 \text{ Hz} < f < 2.000$ Hz).

L = Protezione acustica stimata per i suoni a bassa frequenza ($f \leq 500$ Hz).

A:6 Livello di riferimento

H = Livello di riferimento per i rumori ad alta frequenza.

M = Livello di riferimento per i rumori a media frequenza.

L = Livello di riferimento per i rumori a bassa frequenza.

A:7 Norma europea EN 352-6 Livelli dell'ingresso audio esterno

A:8 Livello del segnale in ingresso U (mV, RMS)

A:9 Livello di pressione acustica media (dB(A))

A:10 Deviazione standard della pressione acustica (dB)

A:11 Livello del segnale in ingresso al quale il valore medio aumentato di una deviazione standard corrisponde a 82 dB(A)

B) Normativa AS/NZS 1270:2002 per Australia/Nuova Zelanda

B:1 Frequenze di prova

B:2 Attenuazione media, Mean Att

- B:3 Deviazione standard, St Dev
 B:4 Media meno deviazione standard

COMPONENTI

- C:1 Bardatura temporale ripiegabile
 C:2 Braccio di supporto della coppa
 C:3 Attacco a due punti
 C:4 Coppa
 C:5 Copribatteria
 C:6 Microfono ambientale per l'ascolto dei suoni circostanti
 C:7 Imbottitura di attenuazione
 C:8 Auricolare
 C:9 Cavo per ingresso esterno (solo modelli specifici)
 C:10 Microfono (solo modelli specifici)
 C:11 Bardatura nucale
 C:12 Ingresso per microfono (J22) (solo modelli specifici)
 C:13 Pulsante [-] sulla tastiera
 C:14 Pulsante [+] sulla tastiera
 C:15 NIB PTT

ISTRUZIONI PER IL MONTAGGIO

Bardatura temporale

- D:1 Estrarre le coppe e inclinare la parte superiore delle coppe verso l'esterno in modo che il cavo non sia d'intralcio alla bardatura temporale.
 D:2 Regolare l'altezza delle coppe nella posizione più comoda tenendo ferma la bardatura.
 D:3 La bardatura temporale deve poggiare saldamente sulla testa, come illustrato, e sostenere il peso dell'headset.

Bardatura nucale

- D:4 Sistemare le coppe in posizione sulle orecchie.
 D:5 Mantenere le coppe in posizione, sistemare la cinghia in posizione sulla testa e bloccarla.
 D:6 La cinghia deve poggiare saldamente sulla testa.

E:1-E:2 Montaggio del microfono

Per massimizzare le prestazioni del microfono in ambienti rumorosi, tenere il microfono molto vicino alla bocca (a meno di 3 mm o 1/8").

NOTA: In caso di utilizzo ad altitudini elevate o in aviazione, ad esempio in caso di ascesa a bordo di un elicottero, la pressione circostante può diminuire rapidamente e compromettere la sensibilità del microfono. In questi casi, si raccomanda di avvicinare il microfono e/o parlare a voce più alta per aumentare la pressione sulla membrana del microfono.

ISTRUZIONI PER L'USO

Sostituzione delle batterie (Fig. 1)

- 1-2. Rimuovere i copribatterie e inserire le batterie (2xAAA).
3. Le polarità della batteria devono corrispondere a quelle riportate all'interno del vano batterie.
4. I copribatterie devono essere premuti a fondo per assicurare la massima tenuta. L'esaurimento delle batterie è indicato dal messaggio vocale "low battery" (batteria scarica), ripetutamente.

Accensione/spengimento dell'headset (Fig. 2)

Tenere premuto il pulsante [+] o [-] per 2 secondi circa per accendere o spegnere l'headset. L'operazione è confermata da un messaggio vocale. Allo spegnimento viene sempre memorizzata l'ultima impostazione.

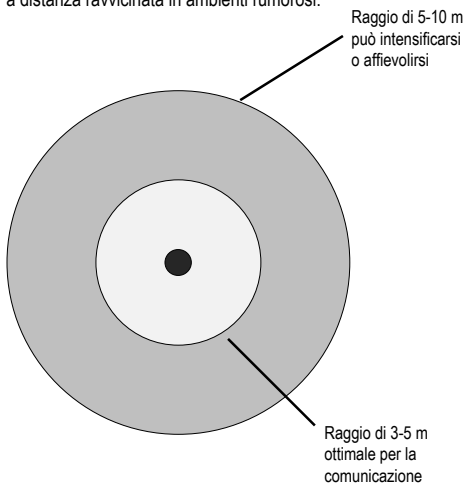
L'headset si spegne automaticamente dopo due ore di inattività. Lo spegnimento è preceduto da un messaggio vocale nell'ultimo minuto di attività. Premendo il pulsante [+] o [-] si resetta il timer di 2 ore.

Regolazione del volume (Fig. 3)

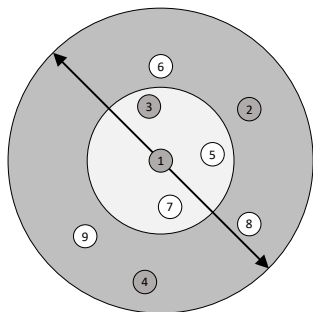
Premere [+] o [-] per regolare il volume di ascolto dei suoni circostanti. Sono previste quattro impostazioni di livello ed è possibile anche disattivare la funzione di ascolto dei suoni circostanti. Le impostazioni massime sono confermate da un bip. La disattivazione della funzione di ascolto dei suoni circostanti è confermata da un messaggio vocale.

Comunicazione faccia a faccia mediante tecnologia NIB

La tecnologia NIB consente la comunicazione faccia a faccia a distanza ravvicinata in ambienti rumorosi.



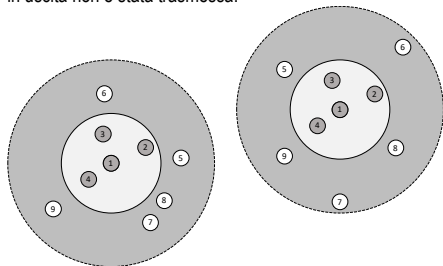
Il raggio massimo di comunicazione senza fili mediante tecnologia NIB è di 10 m. All'interno di questo perimetro è possibile la comunicazione duplex tra un massimo di quattro persone.



All'interno di un ambiente rumoroso, è sufficiente avvicinarsi alla persona desiderata per conversare. La tecnologia NIB può intensificarsi o affievolirsi leggermente (in un raggio di 5-10 m) e consente la comunicazione con le persone nelle vicinanze. Per un segnale di comunicazione ottimale, si raccomanda di restare in un raggio di 3-5 m.

Quando i quattro canali di trasmissione full duplex sono occupati (1-4), gli altri utenti possono ancora ascoltare, ma non trasmettere (5-9). Il numero massimo di ascoltatori è limitato al numero di persone presenti nel raggio di 10 m e non a quello consentito da questa tecnologia.

NOTA: Qualora più di quattro utenti tentino di trasmettere mediante NIB, il quinto e gli altri utenti che tentano di trasmettere udiranno un bip indicante che la comunicazione in uscita non è stata trasmessa.



Il gruppo NIB di appartenenza dipende sia dalla propria posizione che da quella degli altri headset NIB.

La tecnologia NIB si attiva quando il livello di rumore nell'ambiente supera circa 80 dB e il rumore rimane continuo per 1 secondo circa.

La tecnologia NIB funziona anche a livelli di rumore inferiori a 80 dB, se l'utente preme il pulsante PTT in modalità PTT oppure VOX.

Attivazione della funzione NIB (Fig. 7)

Premere due volte in rapida successione il pulsante PTT per alternare tra NIB PTT ON/NIB OFF/NIB VOX ON.

Tenere premuto il pulsante NIB PTT per consentire la comunicazione nel raggio di 10 m in modalità NIB VOX ON oppure NIB PTT ON.

NIB VOX ON - In questa modalità, la radio NIB si attiva solamente in caso di livelli di rumore elevati e consente la comunicazione VOX tra un massimo di quattro utenti. Premendo il pulsante PTT in modalità VOX ON è possibile anche comunicare in un ambiente silenzioso.

Qualora l'headset si trovi in un ambiente con rumore intermittente, il rumore potrebbe attivare la modalità NIB VOX ripetutamente. In tal caso, è possibile utilizzare la modalità NIB PTT ON.

NIB PTT ON - In questa modalità, per trasmettere deve essere premuto il pulsante PTT.

NIB OFF - In questa modalità, la radio NIB è DISATTIVATA. In modalità NIB OFF, la radio NIB non emette alcun segnale RF.

Pulsante PTT (Push-to-talk) per NIB (Fig. 8)

Tenere premuto il pulsante PTT sulla coppa sinistra per trasmettere mediante NIB.

Accesso al menu (Fig. 4)

1. Tenere premuti i pulsanti [+] e [-] per accedere al menu. L'operazione è confermata da un messaggio vocale.
2. Premere brevemente il pulsante [-] per scorrere il menu. Le opzioni del menu sono indicate di seguito.
3. Utilizzare il pulsante [+] per modificare l'impostazione e scorrere le eventuali impostazioni disponibili. Ogni operazione è confermata da un messaggio vocale, seguito dall'impostazione attuale. Anche le modifiche sono confermate da un messaggio vocale. Dopo alcuni secondi di inattività, il menu ritorna alla modalità di regolazione del volume. Premendo [+] e [-] è possibile regolare all'istante il volume da qualsiasi opzione del menu.

Ambient/Environmental listening mode (Modalità di ascolto dei suoni circostanti)

La funzione di ascolto dei suoni circostanti è disponibile sia in modalità classica che avanzata. La modalità classica permette di regolare il volume su quattro impostazioni aumentando o diminuendo il livello acustico di ascolto dei suoni circostanti. La modalità avanzata prevede quattro impostazioni preimpostate e ottimizzate per i vari profili di rumore.

Impostazione	Uso previsto
Modalità avanzata 1 (Comfort)	Per un maggiore comfort in un ambiente estremamente rumoroso.
Modalità avanzata 2 (Conversazione)	Per un'esperienza audio naturale in cui è richiesta una protezione dai rumori improvvisi.
Modalità avanzata 3 (Pattuglia)	Per le situazioni che richiedono una particolare attenzione e sensibilità in un ambiente poco rumoroso.
Modalità avanzata 4 (Allerta)	Per le situazioni che richiedono la massima attenzione e sensibilità in un ambiente silenzioso.

Battery (Batteria)

Selezionare il tipo di batteria utilizzato nel proprio headset, alcalina o ricaricabile.

Wireless input (Ingresso senza fili)

1. Per la configurazione del collare, seguire le istruzioni per l'uso di 3M™ PELTOR™ TEP-LOOP*.
2. Accedere al menu dell'headset per regolare l'ingresso senza fili e la sensibilità in base al collare collegato. Selezionare Off/Low/Medium/High (Disattivato/Basso/Medio/Alto).
3. Regolare il volume sulla radio esterna all'occorrenza.

NOTA: Il volume può differire in funzione della distanza tra headset e collare.

Wired Input (Ingresso con cavo)

Regolare l'ingresso con cavo e la sensibilità in base al dispositivo collegato. Selezionare Low/High (Basso/Alto).

Balance (Bilanciamento)

Questa impostazione determina il bilanciamento del volume tra l'orecchio destro e l'orecchio sinistro. Sono previste sette impostazioni di livello: Center (Centro), Left 1 (Sinistro/1), Left 2 (Sinistro/2), Max left (Sinistro/Max), Max right (Destro/Max), Right 2 (Destro/2), Right 1 (Destro/1).

Warning signals (Segnali di avvertimento)

Questa impostazione permette di abilitare o disabilitare i segnali di avvertimento "low battery" (batteria scarica) e "automatic power off" (spegnimento automatico). In caso di disabilitazione, questi segnali di avvertimento non verranno emessi.

Automatic power off (Spegnimento automatico)

Questa impostazione permette di abilitare o disabilitare la funzione di spegnimento automatico.

NIB frequency (Frequenza NIB)

Per Nordamerica, Australia e Nuova Zelanda, la frequenza per la tecnologia NIB è 915 MHz.

Per l'Europa, la frequenza è 864 MHz.

Selezionare la frequenza per la tecnologia NIB: 864 MHz (EU) o 915 MHz (NA, ANZ). Premere [+] per effettuare la selezione, quindi tenere premuto [+] per confermarla.

NOTA: Accertarsi di utilizzare la frequenza approvata per la regione corrispondente.

Factory reset (Ripristino delle impostazioni predefinite)

L'operazione ripristina tutte le impostazioni predefinite e deve essere confermata premendo [+] dopo il messaggio vocale "confirm factory reset" (conferma impostazioni predefinite).

RICERCA DEI GUASTI PER LA FUNZIONE NIB

Problema	Possibili cause	Suggerimenti
L'headset emette dei bip durante la trasmissione.	Il canale NIB è occupato da quattro persone.	Attendere un posto disponibile.

Problema	Possibili cause	Suggerimenti
L'headset emette dei bip durante la trasmissione.	Nessun altro headset nel perimetro.	Accertarsi che sia presente un altro headset in uso nel perimetro.
È impossibile ascoltare o comunicare con gli altri.	Accertarsi che sia stata impostata la frequenza NIB corretta per la regione corrispondente.	Selezionare la frequenza NIB corretta nel menu. Vedere Frequenza NIB.
È impossibile ascoltare o comunicare con gli altri.	La funzione NIB non è attivata.	Premere il pulsante PTT per alternare le varie modalità. Vedere Attivazione della funzione NIB.

PULIZIA E MANUTENZIONE

Per la pulizia di coppe esterne, bardatura temporale e auricolari, utilizzare un panno inumidito con sapone e acqua calda.

NOTA: NON immergere la protezione acustica in acqua.

Qualora la protezione acustica risulti bagnata a causa della pioggia o del sudore, girare le cuffie protettive verso l'esterno, rimuovere gli auricolari e i rivestimenti in schiuma e lasciarli asciugare prima di riassembliarli. Gli auricolari e i rivestimenti in schiuma sono soggetti a normale usura e devono essere controllati regolarmente onde rilevare eventuali crepe o altri danni. In caso di utilizzo regolare, 3M raccomanda di sostituire gli auricolari e i rivestimenti in schiuma almeno due volte all'anno, per mantenere un elevato livello di attenuazione, la massima igiene e un comfort ottimale. Sostituire l'auricolare qualora sia danneggiato. Vedere la sezione Ricambi di seguito.

RIMOZIONE E SOSTITUZIONE DEGLI AURICOLARI

F:1 Per rimuovere l'auricolare, infilare le dita sotto il bordo interno dell'auricolare ed estrarlo con forza in linea retta.

F:2 Rimuovere i rivestimenti in schiuma esistenti ed inserire i nuovi.

F:3 Inserire un lato dell'auricolare nella scanalatura della coppa, quindi premere il lato opposto finché l'auricolare non scatta in posizione.

APPLICAZIONE DEL NASTRO DI PROTEZIONE PER MICROFONO

Per proteggere il microfono a braccio da umidità e sporcizia, si raccomanda la protezione per microfono HYM1000.

Applicazione del nastro di protezione (Fig. G):

G:1 Utilizzando un paio di forbici, tagliare 100 mm di nastro di protezione per microfono. Rimuovere la carta protettiva.

G:2 Posizionare il microfono all'estremità del nastro come illustrato in figura.

G:3 Piegarlo il nastro di protezione accertandosi che il microfono sia coperto.

G:4 Premere con forza per sigillare il nastro di protezione.

G:5 A questo punto, il microfono è pronto all'uso.

RICAMBI E ACCESSORI

3M™ PELTOR™ HY68 SV Kit igienico

Kit igienico sostituibile. Per garantire un elevato livello di attenuazione, la massima igiene e un comfort ottimale, si raccomanda di sostituire le suddette parti almeno due volte all'anno.

3M™ PELTOR™ HY80-EU Kit igienico per auricolari in gel

3M™ PELTOR™ HY100A Protezioni monouso
Protezione monouso facilmente applicabile agli auricolari.

3M™ PELTOR™ MT73 Microfono impermeabile
Microfono dinamico impermeabile.

3M™ PELTOR™ M171/2 Paravento per microfono

3M™ PELTOR™ HYM1000 Protezione per microfono
Nastro a prova di umidità e vento per proteggere il microfono.

3M™ PELTOR™ M60/2 Protezione antivento per microfoni ambientali

3M™ PELTOR™ HY450/1 Imbottitura
Imbottitura per bardature temporali ripiegabili di piccole dimensioni.

3M™ PELTOR™ LR03NM Batteria AAA NiMH

(PERDITE DI PROFITTO INCLUSE) DERIVANTI DAL PRODOTTO, A PRESCINDERE DALLA TEORIA LEGALE RIVENDICATA. NON SONO PREVISTI ALTRI RIMEDI OLTRE A QUELLI QUI SPECIFICATI.

DIVIETO DI MODIFICHE: È vietato apportare modifiche al presente dispositivo senza l'autorizzazione per iscritto di 3M Company. Eventuali modifiche non autorizzate possono invalidare la garanzia e l'autorizzazione dell'utente all'utilizzo del dispositivo.

NOTA:

- Evitare di mescolare batterie vecchie e nuove.
- Evitare di mescolare batterie alcaline, standard o ricaricabili.
- Per il corretto smaltimento delle batterie, attenersi alle normative locali in materia di smaltimento dei rifiuti solidi urbani.
- Utilizzare esclusivamente batterie AAA non ricaricabili oppure batterie NiMH ricaricabili (come applicabile).

GARANZIA E LIMITAZIONE DI RESPONSABILITÀ

GARANZIA: Qualora un prodotto di 3M Personal Safety Division presenti difetti imputabili a materiali o manodopera oppure non rispetti le clausole di garanzia esplicitate per uno scopo specifico, 3M si riserva esclusivamente, a propria discrezione, di riparare, sostituire o rimborsare il prezzo di acquisto dei componenti o dei prodotti, purché il difetto sia comunicato senza indugio dall'utente ed a condizione che il prodotto sia stato conservato, sottoposto a manutenzione e utilizzato nel rispetto delle istruzioni fornite per iscritto da 3M. **A ECCEZIONE DEI PAESI IN CUI È PROIBITO PER LEGGE, LA PRESENTE GARANZIA È ESCLUSIVA E SOSTITUISCE QUALSIASI ALTRA GARANZIA ESPLICITA O IMPLICITA DI COMMERCIALIZZABILITÀ, IDONEITÀ PER UN DETERMINATO SCOPO NONCHÉ ALTRE GARANZIE DI QUALITÀ O DERIVANTI DA TRATTATIVE, CONSUETUDINI O CONVENZIONI COMMERCIALI, ESCLUSE QUELLE DI TITOLO E CONTRO LA VIOLAZIONE DEI BREVETTI.** Nell'ambito di tale garanzia, 3M declina ogni responsabilità per i prodotti i cui difetti sono dovuti a conservazione, movimentazione o manutenzione impropri o inadeguati, mancato rispetto delle istruzioni oppure modifiche o danni al prodotto causati da incidenti, incuria o uso improprio.

LIMITAZIONE DI RESPONSABILITÀ: A ECCEZIONE DEI PAESI IN CUI È PROIBITO PER LEGGE, 3M DECLINA OGNI RESPONSABILITÀ PER PERDITE O DANNI DIRETTI, INDIRETTI, SPECIALI, INCIDENTALI O CONSEGUENZIALI

3M™ PELTOR™ ComTac™ VI NIB Headset MT20H682**~**N**

КІРСІПЕ

Құттықтаймыз және 3M™ PELTOR™ байланыс шешімдерін таңдағаныңыз үшін рахмет! Қорғалған байланыстың келесі құрылымына қош келдіңіз.

МАҚСАТТЫ ҚОЛДАНЫСЫ

Осы 3M™ PELTOR™ гарнитуралары айналадағы дыбыстарды қоршаған орта микрофондары арқылы тыңдауға, қосылған байланыс құралдарын тыңдауға және біріктірілген Natural Interaction Behavior (NIB) (Табиғи өзара әрекеттесу) технологиясы арқылы бетпе-бет хабарласуға мүмкіндік бере отырып, тұрақты күйдегі шудың жоғарғы деңгейлерінде қауіпті шу деңгейінен және қатты дыбыстардан қорғауды қамтамасыз етуге арналған. Барлық пайдаланушылардан берілген пайдаланушы нұсқауларын оқу және түсіну, сондай-ақ, осы құрылғыны пайдалана білу күтіледі.

МАҢЫЗДЫ

Пайдалану алдында осы нұсқаулардағы барлық қауіпсіздік ақпаратын оқып, түсініп орындаңыз. Осы нұсқауларды келешек анықтама үшін сақтаңыз. Қосымша ақпарат немесе сұрақтар үшін 3M техникалық қызметтерін көрсету орталығына хабарласыңыз (байланыс ақпараттары соңғы бетте тізімделген).



ЕСКЕРТУ

Осы есту протекторы қауіпті шу және басқа қатты дыбыстар әсерін азайтуға көмектеседі. Есту қорғанысын дұрыс пайдаланбау немесе дұрыс тақпау жағдайында қауіпті шу әсері есту қабілетін жоғалтуға немесе жарақатқа әкелуі мүмкін. Дұрыс пайдалану үшін бақылаушыны, пайдаланушы нұсқауларын қараңыз немесе 3M техникалық қызметтерін көрсету орталығына хабарласыңыз. Егер шу әсері (оның ішінде, оқ ату) барысында немесе кейін есту қабілетіңіз нашарлай бастаса немесе қоңырау не ызың естіле бастаса немесе басқа себеппен есту мәселесі туындаса, шулы ортадан бірден шығып, медициналық көмек алыңыз және/немесе бақылаушыға хабарласыңыз.

Осы нұсқауларды орындамау ауыр жарақатқа немесе өлімге себеп болуы мүмкін:

- Музыка тыңдау немесе басқа аудио байланысы айнала жөнінде хабардар болу және ескерту сигналдарын есту мүмкіндігін азайтуы мүмкін. Сергек болып, аудио дыбыс деңгейін ең төменгі қабылданатын деңгейге реттеңіз. Ескерту сигналдарын арнайы орындарда есту мүмкіндігі шулы шаралар кезінде әлсіз болуы мүмкін.
- Жарылыстың тұтануымен байланысты қауіптерді азайту үшін, бұл өнімді ықтимал жарылу қаупі бар ортада пайдаланбаңыз.

Осы нұсқауларды орындамау құлаққаппен берілген қорғанысты азайтып, есту қабілетін жоғалтуға әкелуі мүмкін:

- Зерттеу бекіту айырмашылығына, бекіту біліктілігіне және пайдаланушы ынтасына байланысты пайдаланушылар

- бумада көрсетілгеннен аз шу мәндерін алуы мүмкін екендігін көрсетті. Ұйым таңдалғанын, тағылғанын, реттелгенін және сақталғанын тексеріңіз. Осы құрылғыны дұрыс тақпау шуды төмендету тиімділігін азайтады. Дұрыс тағу бойынша берілген нұсқауларды қараңыз.
- Есту протекторы дұрыс таңдалғанын, тағылғанын, реттелгенін және сақталғанын тексеріңіз. Осы құрылғыны дұрыс тақпау шуды төмендету тиімділігін азайтады. Дұрыс тағу бойынша берілген нұсқауларды қараңыз.
 - Пайдалану алдында есту протекторын тексеріңіз. Егер зақымдалса, зақымдалмаған есту протекторын таңдаңыз немесе шулы ортаны болдырмаңыз.
 - Қосымша қорғаныс жабдығы (мысалы, қауіпсіздік көзілдіріктері, тыныс алу құралдары, т.б.) қажет болса, құлаққап жастықшасы кедергісін азайту үшін иілгіш, төмен профилілі үлгілер немесе баулар таңдаңыз. Құлаққап жастықшасының бекітпесіне кедергі келтіретін және құлаққап қорғанысын азайтатын барлық басқа қажетсіз заттарды (мысалы, шаш, қалпақтар, зергерлік бұйымдар, құлақаспаптар, гигиеналық қақпақтар, т.б.) алып тастаңыз.
 - Бас немесе мойын жолағын бүкпеңіз немесе пішінін өзгертпеңіз және қорғағыш құлаққаптарды орнына күшпен бекітіңіз.
 - Құлаққаптар және жастықшалар пайдалануды нашарлатуы мүмкін және шуыл мен кемуге қарсы жиі аралықпен сынақтан өтіп тұрады. Жүйелі пайдаланған кезде тұрақты қорғанысты, гигиенаны және жайлылықты сақтау үшін құлақ жастықшалары мен пенопласт төсегіштерді кемінде жылына екі рет ауыстырыңыз.
 - Осы құлақ есту мүшесін қорғаушытың айналымының электрлі дыбыс деңгейінің шығысы күнделікті дыбыс деңгейін асуы мүмкін. Аудио дыбыс деңгейін ең төменгі қабылданатын деңгейге реттеңіз.
 - Егер жоғарыдағы талаптар ұсталмаса, қорғағыш құлаққаптар қорғанысына айтарлықтай зиян келеді.

EN 352 Қауіпсіздік мәлімдемелері:

- Осы шудан қорғайтын құлаққаптың деңгейге тәуелді шығысы сыртқы дыбыс деңгейінің шегінен асуы мүмкін.
- Жастықшаларға гигиеналық қақпақтардың тағылуы құлаққаптардың акустикалық дыбыс беруіне әсер етеді.
- Жұмыс істеуінің батареяны қолданумен нашарлауы мүмкін. Құлаққап батареясынан күтілетін үздіксіз қолданыстың әделкі мерзімі шамамен:
 - LDF және NIB: 30 сағат
 - LDF: 50 сағат
- Бұл өнімге нақты химиялық заттар әсер етуі мүмкін. Қосымша ақпаратты өндірушіден таба аласыз.
- Осы құлаққаптардың өлшем ауқымы шағын. EN 352-1 сәйкес құлаққаптар «орташа өлшем ауқымы», «кіші өлшем ауқымы» немесе «үлкен өлшем ауқымы» болады. «Орташа өлшем ауқымы» құлаққаптары тағушылардың көбісіне сәйкес келеді. «Кіші өлшем ауқымы» немесе «үлкен өлшем ауқымы» құлаққаптары «орташа өлшем ауқымы» құлаққаптары сәйкес келмейтін тағушыларға жасалған.
- Өнім үздіксіз төмен жиілікті шу деңгейіне сай келмейді.

АБАЙЛАҢЫЗ:

- Батарея дұрыс түрімен алмастырылмаса, жарылыс қаупін тудырады.

- Өрқаталсан осы өнімге арналған 3М қосалқы бөлшектерін пайдаланыңыз. Рұқсат етілмеген қосалқы бөлшектерді пайдалану осы өнім беретін қорғанысты нашарлатуы мүмкін.

ЕСКЕРТПЕ

- Пайдаланушы нұсқауларына сәйкес тағылса, осы есту протекторы өндірістік шулар, көліктер мен ұшақ шулары және өте қатты импульстік шулар сияқты үздіксіз шулар әсерін азайтуға көмектеседі. Импульстік шулар әсері барысында талап етілетін және/немесе нақты есту қорғанысын болжау қиындық тудырады. Оқ ату, қару түрі, оқ ату саны, дұрыс таңдау, есту қорғанысын тағу және пайдалану, есту қорғанысына дұрыс күтім көрсету және басқа айнымалылар өнімділікке әсер етеді. Импульстік шудың есту қорғанысы туралы ақпаратты www.3M.com/hearing торабынан көріңіз.
- Бұл құлақпақ деңгейге байланысты төмендету әсерімен жабдықталған. Тағатын адам пайдалану алдында дұрыс істеп тұрғанын тексеруі керек. Егер бұрмалау немесе ақау анықталса, тағушы батареяға техникалық қызмет көрсету және оны ауыстыру бойынша өндіруші кеңесіне жүгінуі тиіс.
- Бұл құлақпақ электрлік аудио кірісімен беріледі. Тағатын адам пайдалану алдында дұрыс істеп тұрғанын тексеруі керек. Егер бұрмалау немесе қате табылса, тағушы өндіруші кеңесін қарауы керек.
- Жұмыс температурасының ауқымы: -20°C (-4°F) - $+55^{\circ}\text{C}$ ($+131^{\circ}\text{F}$)
- Сақтау температурасының ауқымы: -20°C (-4°F) - $+55^{\circ}\text{C}$ ($+131^{\circ}\text{F}$)
- Есту протекторы салмағы: MT20H682FB-**N** = 340 г, MT20H682BV-**N** = 313 г, MT20H682FB-**N** (HY80) = 379 г.
- Жарамдылық мерзімі: 5 жыл, батареяларды қоспағанда.

БЕКІТУЛЕР

3M Svenska AB ұйымы CE белгісінің талаптарын орындау үшін радио байланыс құралы 2014/53/EU директивасына және басқа тиісті директиваларға сәйкес екендігін мәлімдейді. 3M Svenska AB ұйымы сонымен қатар PPE түріндегі гарнитураның (EU) 2016/425 нормативіне немесе 89/686/EEC директивасына сай екенін мәлімдейді.

www.3M.com/peltor/doc сайтынан Сәйкестік декларациясын (СД) қарап шығумен қолданбалы заңнаманы анықтай аласыз. Егер басқа да рұқсат түрлері болса, олар сәйкестік декларациясында (СД) көрсетіледі. Сәйкестік декларациясын (СД) шығарып алу кезінде топтама нөмірін табыңыз. Құлақпақтардың бөлшек нөмірін бір стакан астынан таба аласыз. Төмендегі суреттен мысалды көруге болады.



PPE өнімдерін жыл сайын (егер III санат өнімдері болса) және Финляндияның еңбек гигиенасы институты (Finnish Institute of Occupational Health), Хабарлаушы орган (№ 0403,

Topeliuksenkatu 41 b, FI-00250 Helsinki, Finland) тексерілі және растайды. Өнім сыналды, EN 352-1:2002, EN 352-4:2001/A1:2005 және EN 352-6:2002 стандарттарына сәйкес расталды.

Сәйкестік декларациясының көшірмесі мен директиваларда талап етілетін қосымша ақпаратты сатып алу елінде 3M компаниясына хабарласумен ала аласыз. Байланыс ақпаратты пайдаланушы нұсқаулары соңғы беттерінен көріңіз.



Бұл өнімде электрлік және электрондық құрамдастар бар және стандартты тұрмыстық қалдықпен тасталмауы қажет. Электрлік және электрондық жабдықты тастау нұсқауын жергілікті директивалардан қараңыз.

ЗЕРТХАНАНЫ ҚЫСҚАРТУ

Құрылғымен бірге келетін (SNR) төмендету сақинасы өшірілген. Өшу кестелерінің түсіндірмесі:

EN 352 Еуропалық стандарты

Зерттеу бекіту айырмашылығына, бекіту біліктілігіне және пайдаланушы ынтасына байланысты пайдаланушылар бумада көрсетілгеннен аз шу мөндерін алуы мүмкін екендігін көрсетті. Ұйым құндылықтарын реттеу және төмендеуді бағалау туралы нұсқаулықты қолданастағы ережелерден қараңыз. Сонымен қатар, 3M ұйымы есту протекторларының бүтіндігін тексеруді ұсынады.

- A:1 Жілік (Гц)
- A:2 Орташа төмендету (дБ)
- A:3 Стандартты ауытқу (дБ)
- A:4 Болжалды қорғаныс мәні, APV (дБ)
- A:5

N = Жоғары жиілікті дыбыстардың есту қорғанысын бағалау ($f \geq 2000$ Гц).

M = Орташа жиілікті дыбыстардың есту қорғанысын бағалау (500 Гц $< f < 2000$ Гц).

L = Төмен жиілікті дыбыстардың есту қорғанысын бағалау ($f \leq 500$ Гц).

A:6 Шарт деңгейі

N = Жоғары жиілікті шуға арналған шарт деңгейі

M = Орташа жиілікті шуға арналған шарт деңгейі

L = Төмен жиілікті шуға арналған шарт деңгейі

A:7 Еуропалық стандарты (EN 352-6) - Сыртқы дыбыстың кіру деңгейі

A:8 Кіріс сигнал деңгейі U (мВ, RMS)

A:9 Орташа дыбыс қысымы деңгейі (дБ(A))

A:10 Дыбыс қысымының стандартты ауытқуы (дБ)

A:11 Орташа бір стандартты ауытқуы 82 дБ(A) тең кіріс сигнал деңгейі.

B) Австралия/Жаңа Зеландия стандарты: AS/NZS 1270:2002

B:1 Сынақ жиіліктері

B:2 Орташа төмендету, орт. төм.

B:3 Стандартты ауытқу, ст. ауыт.

B:4 Орташа минус SD

ҚҰРАМДАСТАР

- C:1 Бүктелмелі бас жолағы
- C:2 Тостаған тірейтін тұтқа
- C:3 Екі нүктелі бекіткіштер
- C:4 Тостаған
- C:5 Батарея қақағы
- C:6 Қоршаған ортаны тыңдау микрофоны
- C:7 Тербелістерді бәсеңдететін жастықша
- C:8 Құлақ жастықшасы
- C:9 Сыртқы кіріс кабель (тек кейбір үлгілерде)
- C:10 Сөйлеу микрофонының кірісі (тек кейбір үлгілерде)
- C:11 Мойын жолағы
- C:12 Сөйлеу микрофонының кірісі (J22) (тек кейбір үлгілерде)
- C:13 Пернетақтадағы [-] түймесі
- C:14 Пернетақтадағы [+] түймесі
- C:15 NIB PTT

БЕКІТУ НҰСҚАУЛАРЫ

Байлауыш

- D:1 Қақпақтарды сыртқа сырғытып, қабықша үстіңізге сыртқа еңкейтеңіз, кабель байлауыш сыртында болуы қажет.
- D:2 Доғаны орнында ұстап тұрып табақшаларды жоғары немесе төмен жылжыту арқылы олардың биіктігін реттеңіз.
- D:3 Байлауыш көрсетілгендей бас үстіне орналастырылуы керек және гарнитура салмағын көтеруі керек.

Мойын жолағы

- D:4 Қақпақтарды құлақтар үстіндегі орынға қойыңыз.
- D:5 Қақпақтарды орнында ұстап, бас бауын бас үстіне қойып, орнына берік бекітіңіз.
- D:6 Бас бауы басыңыздың жоғарғы жағында орналасуы тиіс.

Е:1-Е:2 Сөйлесу микрофонын бекіту

Шулы аймақтарда сөйлеу микрофонының тиімділігін арттыру үшін, микрофонды аузыңызға өте жақын (3 мм немесе 1/8 дюймнен аз) ұстаңыз.

ЕСКЕРТПЕ: Үлкен биіктікте/авиацияда пайдаланылған кезде, ол айналадағы қысым күрт төмендеуі және микрофонның сезгіштігіне кері әсер етуі, мысалы тікұшақтың көтерілуіне кері әсер етуі мүмкін. Егер мұндай жағдай орын алса, микрофонның мембранасындағы қысымды арттыру үшін микрофонды жақындатып қойыңыз және/немесе қаттырақ сөйлеңіз.

ПАЙДАЛАНУ НҰСҚАУЛАРЫ

Батареяларды ауыстыру (1-сурет)

- 1-2. Батарея ұясының қақпақтарын ашып, батареяларды (2xAAA) салыңыз.
- 3. Батарея полярлығы батарея ұясындағы белгіге сай болуы тиіс.
- 4. Тығыздықты жақсарту үшін қақпақтарды төмен қарай барынша басу керек. Батарея зарядының төмендігі қайталанбалы «Батарея деңгейі төмен» дыбыстық хабар арқылы көрсетіледі.

Гарнитураны қосу және өшіру (2-сурет)

Гарнитураны қосу немесе өшіру үшін, [+] немесе [-] түймесін шамамен 2 секунд басып тұрыңыз. Растайтын дауысты нұсқау шығады. Құлақ тығыны режимінде болған жағдайды қоспағанда, гарнитура өшіріліп болған кезде ағымдағы параметр әрқашан сақталады.

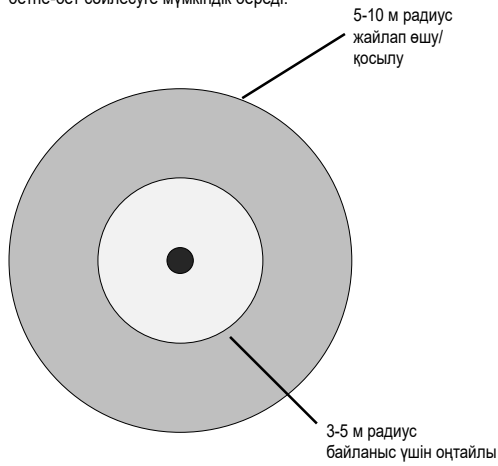
Функциялар екі сағаттан астам пайдаланылмаған кезде гарнитура автоматты түрде өшеді. Бұл соңғы минутта дауысты хабармен көрсетіледі, содан кейін гарнитура өшеді. Екі сағаттық үзіліс кезеңін қайта орнату үшін [+] немесе [-] түймесін басыңыз.

Дыбыс деңгейін реттеу (3-сурет)

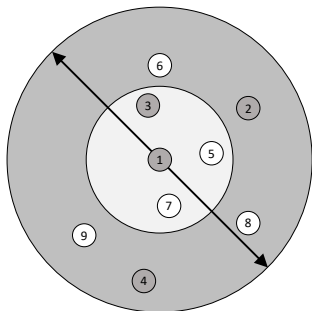
Қоршаған ортаны тыңдау функциясының дыбыс деңгейін реттеу үшін [+] немесе [-] түймесін басыңыз. Мұнда төрт деңгей бар, сонымен қатар қоршаған ортаны тыңдау мүмкіндігін өшіру мүмкіндігі бар. Максималды параметрлер дыбысты сигнал шығу арқылы расталады. Қоршаған ортаны тыңдау функциясының өшіріліп режимі дыбысты хабармен расталады.

NIB технологиясы арқылы бетпе-бет сөйлесу

NIB технологиясы шулы орталардағы жақын ауқымда бетпе-бет сөйлесуге мүмкіндік береді.



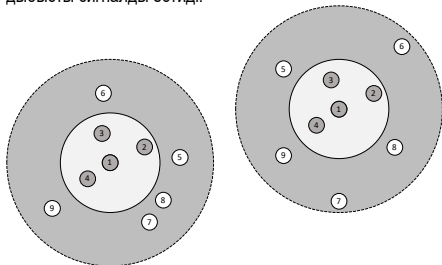
NIB технологиясы сымсыз байланысты 10 м радиуста іске қосады. Бұл периметрде төрт адамға дейін толық дуплекстік байланыста бола алады.



Шулы орталарда сөйлескіңіз келген адамға жақындап барсаңыз болғаны. NIB технологиясы жайлап өшеді және қосылады (5-10 м радиуста) және жақын жерде тұрған адаммен сөйлесуге мүмкіндік береді. Байланыс сигналы оңтайлы болуы үшін 3-5 м радиуста болыңыз.

Төрт адамдық, толық дуплекстік сигнал тарату арналары бос емес болған кезде (1-4), басқа пайдаланушылар дыбысты ести алады, бірақ өздерінің дауысын жібере алмайды (5-9). Тыңдаушылардың ең көп саны технология рұқсат еткен шамамен емес, 10 м радиуста тұрған адамдардың санымен шектеледі.

ЕСКЕРТПЕ: NIB арқылы төрттен көп адам сөйлесуге әрекет еткен кезде, сөйлескісі келген 5 не одан көп адам шығыс байланыс сигналын басқарал қабылдамағанын білдіретін дыбысты сигналды естиді.



Сіздің қайсы NIB тобына жататыныңыз сіздің және басқа NIB гарнитураларының орналасу арақашықтығына байланысты.

NIB мүмкіндігі қоршаған орта шуылы шамамен 80 дБ шамасынан асқанда және дыбыс шамамен 1 секунд үздіксіз шыққан кезде іске қосылады.

NIB сондай-ақ пайдаланушы PTT түймесін PTT режимінде немесе VOX режимінде болған кезде басса да 80 дБ шамасынан төмен жиілікте жұмыс істейді.

NIB мүмкіндігін іске қосу (7-сурет)

PTT түймесі тез-тез екі рет басылған кезде, NIB PTT ON (Қосулы)/NIB OFF (Өшірулі)/NIB VOX ON (Қосулы) режимдері арасында ауысып қосу орын алады.

NIB VOX ON (Қосулы) режимінде және NIB PTT ON (Қосулы) режимінде NIB PTT түймесін басып тұру 10 м радиуста байланыс орнатуға мүмкіндік береді.

NIB VOX ON (Қосулы) - Бұл режимде шуылдың жоғарғы деңгейлері NIB радиосын іске қосып, төрт пайдаланушыға дейінгі VOX байланысын орнатуға мүмкіндік береді. PTT түймесін VOX ON режимінде басу тыныштық режимінде сөйлесуге де мүмкіндік береді.

Гарнитура шуыл үзік-үзік шығатын ортада жұмыс істегенде, шуыл NIB VOX функциясын бірнеше рет іске қосып отырады. Бұл жағдайда NIB PTT ON (Қосулы) режимін пайдалана аласыз.

NIB PTT ON (Қосулы) - Бұл режимде сигнал тарату үшін PTT түймесі басылуы керек.

NIB OFF (Өшірулі) - бұл режим NIB радиосын ӨШИРЕДІ. NIB OFF (Өшірулі) режимінде NIB радиосынан ешбір PЖ сигналы шықпайды.

NIB мүмкіндігіне арналған басып сөйлеу (PTT) функциясы (8-сурет)

NIB арқылы сигнал тарату үшін сол жақ тостағандағы PTT түймесін басып тұрыңыз.

Мәзірге кіру (4-сурет)

1. Мәзірге кіру үшін [+] және [-] түймелерін басып тұрыңыз. Растайтын дауысты хабар шығады.
2. Мәзір тармақтары арқылы жылжу үшін [-] түймесін басыңыз. Мәзір қадамдары төменде көрсетілген.
3. [+] түймесін параметрді өзгерту және қолжетімді параметрлер (егер болса) арқылы жылжу үшін пайдаланыңыз. Дауыстық хабар әрбір қадамды, содан кейін ағымдағы параметрді растайды. Өзгерістер де дауыстық хабармен расталады. Бірнеше секундтық әрекетсіздіктен кейін мәзір дыбыс деңгейі режиміне оралады. [+] және [-] түймесін басу арқылы дыбыс деңгейі параметріне мәзірдің кез келген сатысында лезде қол жеткізуге болады.

Ambient/Environmental listening mode (Қоршаған ортаны тыңдау режимі)

Қоршаған ортаны тыңдау режимі классикалық режимде және кеңейтілген режимде қолжетімді. Классикалық режим қоршаған ортаны тыңдау функциясының дыбыс деңгейін арттыру немесе азайту арқылы дыбысты төрт қадаммен реттеуге мүмкіндік береді. Кеңейтілген режимде әртүрлі дыбыстық профилдер үшін оңтайландырылған төрт алдын ала орнатылған параметр бар.

Параметр	Мақсатты қолданысы
Кеңейтілген режим 1 (Ыңғайлы)	Өте шулы ортада тыңдау ыңғайлы болу үшін.
Кеңейтілген режим 2 (Сөйлесу)	Кенеттен туындайтын шуылдардан қорғанды қажет ететін жерде табиғи дыбыстың деңгейді сақтау үшін.
Кеңейтілген режим 3 (Торуылдау)	Шуылы төмен ортада жүргенде жоғарғы сақтық үшін.
Кеңейтілген режим 4 (Қадағалау)	Тыныш ортада өте сак болу үшін.

Battery (Батарея)

Гарнитурда пайдаланылған түрдегі, сілтілі немесе қайта зарядталатын батареяны таңдаңыз.

Wireless input (Сымсыз байланыс кірісі)

1. Мойын ілмегін баптау үшін 3M™ PELTOR™ TEP-LOOP-а пайдаланушы нұсқауларын орындаңыз.
2. Кіріс сымсыз сигналды және сезгіштікті қосылған MI құрылғысына сәйкестеп реттеу үшін, гарнитураның мәзіріне кіріңіз. Off/Low/Medium/High (Өшірулі/Төмен/Орташа/Жоғары) параметрін таңдаңыз.
3. Қажет болса, сыртқы радиодағы дыбыс деңгейін реттеңіз.

ЕСКЕРТПЕ: Дыбыс деңгейі гарнитура мен мойын ілмегі арасындағы қашықтыққа байланысты әртүрлі болуы мүмкін.

Wired input (Кіріс сымды сигнал)

Кіріс сымды сигналды және сезгіштікті қосылған сымды байланыс құрылғысына сәйкестеп реттеңіз. Low/High (Төмен/Жоғары) параметрін таңдаңыз.

Balance (Баланс)

Баланс параметрі дыбыс деңгейі параметрін оң және сол құлақ арасында реттейді. Онда жеті деңгей параметрі бар: Center (Ортасы), Left 1 (Сол 1), Left 2 (Сол 2), Max left (Макс. сол), Max right (Макс. оң), Right 2 (Оң 2), Right 1 (Оң 1).

Warning signals (Ескерту сигналдары)

Ескерту сигналы параметрі «low battery» (батарея төмен) және «automatic power off» (автоматты өшіру) ескерту сигналдарын өшіреді/қосады. Өшірілген кезде осы ескерту сигналдарының ешқайсысы естілмейді.

Automatic power off (Автоматты қуатты өшіру)

Автоматты қуатты өшіру параметрі қуатты автоматты түрде өшіру функциясын ажыратады/қосады.

NIB frequency (NIB жиілігі)

Солтүстік Америка, Австралия және Жаңа Зеландия үшін NIB жиілігі – 915 МГц.

Еуропа үшін NIB жиілігі – 864 МГц.

NIB жиілігін таңдаңыз, 864 МГц (EO) немесе 915 МГц (CA, АЖЗ). Таңдау үшін [+] түймесін басып, таңдауды растау үшін [+] түймесін басып тұрыңыз.

ЕСКЕРТПЕ: Сіз жұмыс істеп жатқан аймақ үшін рұқсат етілген жиілікті пайдаланып отырғаныңызға көз жеткізіңіз.

Factory reset (Зауыттық параметрлерге қайтару)

Барлық мәзір параметрлерін зауыттық әдепкі мәндерге қайтарады. Бұл параметрді «confirm factory reset» (зауыттық параметрлерге қайтару) деген дауысты хабар естілген кезде [+] түймесін басу арқылы растау қажет.

NIB БОЙЫНША АҚАУЛЫҚТАРДЫ ЖОО

Проблема	Ықтимал себептері	Ұсыныс
Сигнал тарату кезінде гарнитура дыбысты сигнал шығарады.	NIB арнасына төрт адам қосылған.	Қолжетімді орынды күтіңіз.
Сигнал тарату кезінде гарнитура дыбысты сигнал шығарады.	Периметрде басқа гарнитура жоқ.	Периметрде қолданылып жатқан басқа гарнитураның бар-жоғын тексеріңіз.
Басқаларды ести алмаймын немесе олармен сөйлесе алмаймын.	Өзіңіз жұмыс істеп жатқан аймақта тиісті NIB жиілігін пайдаланып жатқан жоқсыз.	Мәзірден тиісті NIB жиілігін таңдаңыз. «NIB жиілігі» бөлімін қараңыз.
Басқаларды ести алмаймын немесе олармен сөйлесе алмаймын.	NIB іске қосылмаған.	РТТ түймесімен әр түрлі режимге ауысып қосылаңыз. «NIB мүмкіндігін іске қосу» бөлімін қараңыз.

ТАЗАЛАУ ЖӘНЕ КҮТІМ КӨРСЕТУ

Сыртқы жабындарын, байлауышты және құлақ жастықшаларын тазалау үшін сабынмен және сумен суланған шүберекті пайдаланыңыз.

ЕСКЕРТПЕ: Есту протекторын суға БАТЫРМАҢЫЗ. Егер есту протекторы жаңбырдан немесе терден суланса, құлаққаптарды сыртына шығарып, құлақ жастықшалары мен пенопласт төсегіштерді алып, қайта жинақтау алдында келтіріңіз. Құлақ жастықшалары және пенопласт төсегіштер пайдаланумен нашарлауы мүмкін, сол себепті сыныққа немесе басқа зақымға жүйелі түрде тексерілуі керек. Жүйелі пайдаланған кезде 3М ұйымы тұрақты төмендетуді, гигиенаны және жайлылықты сақтау үшін құлақ жастықшалары мен пенопласт төсегіштерді кемінде жылына екі рет ауыстыруды ұсынады. Егер құлақ жастықшасы зақымдалса, ол ауыстырылуы керек. Төмендегі «Қосалқы бөлшектер» бөлімін көріңіз.

ҚҰЛАҚ ЖАСТЫҚШАЛАРЫН АЛУ ЖӘНЕ АУЫСТЫРУ

F:1 Құлақ жастықшасын алу үшін құлақ жастықшасының ішкі бетіне саусақтарыңызды сырғытып, сыртқа жақсылап тартыңыз.

F:2 Бар төсегіш(тер)ды алып, жаңа пенопласт төсегіштер салыңыз.

F:3 Құлақ жастықшасының бір жағын құлаққап стаканының ойығына бекітіп, құлақ жастықшасы орнына сырғығанша қарсы жағын басыңыз.

МИКРОФОН ПРОТЕКТОРЫ ТАСПАСЫН ҚОЛДАНУ

Тіректі сөйлеу микрофонын ылғал мен кірден қорғау үшін HYM1000 микрофон қорғағышын пайдаланыңыз.

Протекторды бекіту (G суреті):

G:1 100 мм Микрофон протекторы таспасын қайшымен

қырқыңыз. Протектор таспаны алып тастаңыз.

G:2 Микрофонды, суретте көрсетілгендей, таспаның ұшына қойыңыз.

G:3 Протектор таспаны бүктеп, микрофонның жабылғанына көз жеткізіңіз.

G:4 Протектор таспасын тығыздау үшін мықтап басыңыз.

G:5 Осыдан кейін микрофон пайдалануға дайын болады.

ҚОСАЛҚЫ БӨЛШЕКТЕР ЖӘНЕ КЕРЕК-ЖАРАҚТАР

3M™ PELTOR™ HY68 SV гигиеналық жинағы

Ауыстырылатын гигиеналық жинақ. Тұрақты өшу, гигиена және жайлылық үшін жылына екі рет ауыстырып тұрыңыз.

3M™ PELTOR™ HY80-EU Gel гигиеналық жинағы

3M™ PELTOR™ HY100A бір рет пайдаланылатын протекторлары
Құлақ жастықшаларына оңай бекітілетін, бір рет пайдаланылатын протектор.

3M™ PELTOR™ MT73 су өткізбейтін микрофоны
Су өткізбейтін динамикалық сөйлесу микрофоны.

3M™ PELTOR™ M171/2 микрофонына арналған желге қарсы қорғаныс

3M™ PELTOR™ HYM1000 микрофон қорғағышы
Сөйлеу микрофонын қорғайтын ылғал мен желді өткізбейтін таспа.

3M™ PELTOR™ M60/2 айналаны тыңдау микрофондарына арналған желге қарсы қорғанысы

3M™ PELTOR™ HY450/1 бас бауы
Бүктелмелі бас баулары үшін шағын өлшемді ауқымда бекітуге пайдаланылады.

3M™ PELTOR™ LR03NM AAA батареясы (NiMH)

КЕПІЛДІК ЖӘНЕ ЖАУАПКЕРШІЛІК ШЕКТЕУІ

КЕПІЛДІК: 3M жеке қауіпсіздік бөлімі өнімдерінің біреуінің материалы, жасалуы зақымдалған немесе белгілі бір мақсат кепілдігіне сәйкес болмаған жағдайда 3M компаниясы мәселе уақытылы хабарланғанда және өнім 3M компаниясының жазбаша нұсқауларына сәйкес сақталғанда, қызмет көрсетілгенде және пайдаланылғанда осындай бөлшектердің немесе өнімдердің сатып алу бағасын өтеуге немесе ауыстыруға міндетті және сіз 3M компаниясынан талап етуге құқылысыз. ЗАҢМЕН ТЫЙЫМ САЛЫНҒАН ЖАҒДАЙДЫ ЖӘНЕ АТ ПЕН ПАТЕНТ БУЗУШЫЛЫҚТЫ ЕСКЕРМЕГЕНДЕ ОСЫ КЕПІЛДІК ЕРЕКШЕ ӨРІ КОММЕРЦИЯЛЫҚ САПА КЕПІЛДІГІ, БЕЛГІЛІ БІР МАҚСАТҚА ЖАРАМДЫЛЫҒЫ НЕМЕСЕ ІСКЕРЛЕСУ НӘТИЖЕСІНДЕГІ САПА КЕПІЛДІГІ, КЕДЕН НЕМЕСЕ САУДА ҚОЛДАНЫСЫ ОРНЫНА ПАЙДАЛАНЫЛАДЫ. 3M компаниясы осы кепілдік бойынша дұрыс немесе ұқыпсыз сақтау, қолдану немесе техникалық қызмет көрсету, өнім нұсқауларын орындамау салдарынан зақымдалған өнімге немесе кездейсоқ, ұқыпсыз немесе дұрыс пайдаланбау салдарынан болған өнім зақымды не ауыстыру жағдайына

жауапты болмайды.

ЖАУАПКЕРШІЛІК ШЕКТЕУІ: ЗАҢМЕН ТЫЙЫМ САЛЫНҒАН ЖАҒДАЙДЫ ЕСКЕРМЕГЕНДЕ, 3M КОМПАНИЯСЫ БЕКІТІЛГЕН ЗАҢДЫ ТЕОРИЯҒА ҚАРАМАСТАН ОСЫ ӨНІМНЕН БОЛҒАН ТІКЕЛЕЙ, ЖАНАМА, АРНАЙЫ, КЕЗДЕЙСОҚ НЕМЕСЕ ЖҮЙЕЛІ ШЫҒЫНҒА НЕМЕСЕ ЗАҚЫМДАРҒА (ОНЫҢ ІШІНДЕ ТАБЫСТАН АЙЫРЫЛУ) ЖАУАПТЫ БОЛМАЙДЫ. ОСЫНДА БЕКІТІЛГЕН ЕСКЕРТУЛЕР ӨЗГЕШЕ.

ӨЗГЕРІС ЖОҚ: Осы құрылғыны өзгерту жұмыстары 3M компаниясының жазбаша келісімінсіз жасалмауы керек. Рұқсатсыз өзгерістер кепілдікті және пайдаланушының құрылғыны басқару өкілеттігін жоюы мүмкін.

ЕСКЕРТПЕ:

- Ескі және жаңа батареяларды араластырмаңыз.
- Сілтілі, стандартты немесе қайта зарядталатын батареяларды араластырмаңыз.
- Батареяны қоқысқа дұрыс тастау үшін жергілікті қатты қалдықты тастау реттеулерін орындаңыз.
- Тек қайта зарядталмайтын AAA немесе зарядталатын NiMH батареяларын ғана қолданыңыз (қажетінше).

3M™ PELTOR™ ComTac™ VI NIB Headset MT20H682**.*N**

IVADAS

Sveikiname ir dėkojame, kad pasirinkote 3M™ PELTOR™ bendravimo sprendimus! Džiaugiamės galėdami pristatyti naujovišką saugaus bendravimo sprendimą.

PASKIRTIS

Šių 3M™ PELTOR™ ausinių paskirtis yra apsaugoti nuo pavojingo triukšmo lygio ir stiprių garsų, leidžiant naudotojui girdėti išorinius garsus per aplinkinių garsų mikrofonus, klausytis prijungtų ryšio prietaisų ir, naudojant natūralaus bendravimo (angl. „Natural Interaction Behavior“, NIB) technologiją, tiesiogiai bendrauti labai triukšmingoje aplinkoje. Tikimės, kad visi naudotojai perskaitys bei supras pateiktas naudojimo instrukcijas ir žinos, kaip naudoti šį prietaisą.

SVARBU

Prieš naudodami gaminį perskaitykite, išsiaiškinkite ir laikykitės šiose instrukcijose pateiktos saugumo informacijos. Saugokite šias instrukcijas ateičiai. Jei reikia daugiau informacijos ar turite klausimų, susisiekite su 3M techninės priežiūros tarnyba (kontaktinė informacija pateikta paskutiniame puslapyje).



ĮSPĖJIMAS

Ši klausos apsaugos priemonė padeda sumažinti pavojingo triukšmo ir kitų stiprių garsų poveikį. Jei klausos apsaugos priemonė naudojama netinkamai ar ne visą laiką, galima apkursti ar susižaloti. Dėl tinkamo naudojimo konsultuokitės su prižiūrėtoju, žr. naudotojo vadovą ar skambinkite į 3M techninės priežiūros tarnybą. Jei pasigirdus triukšmų (įskaitant šaudymą) arba jam praėjus pajutote, kad klausia suprastėjo, girdite skambėjimą arba zvimbimą, jei įtariate, jog turite klausos problemų dėl kitos priežasties, nedelsdami pasišalinkite iš triukšmingos aplinkos ir kreipkitės į medicus ir (arba) prižiūrėtoją.

Jei nesilaikysite šių instrukcijų, galite sunkiai ar net mirtinai susižaloti:

- Klausantis muzikos ar kitų garsų gali suprastėti situacijos suvokimas ir gebėjimas išgirsti įspėjamuosius signalus. Stenkitės išlikti budrūs ir nustatykite žemiausią galimą garsumo lygį. Naudojant pramoginę įrangą, tam tikrose darbo vietose gali pablogėti įspėjamųjų signalų girdimumas.
- Norėdami sumažinti sproginimo pavojų, nenaudokite šio gamtinio potencialiai sproginioje atmosferoje.

Jei nesilaikysite šių instrukcijų, ausinių teikiama apsauga gali suprastėti ir tai gali lemti klausos praradimą:

- Tyrimai rodo, kad garso slopinimas gali būti mažesnis, nei nurodyta ant pakuotės, jei priemonė ne itin gerai tinka naudotojui, jei naudotojui trūksta pritaikymo įgūdžių ir motyvacijos. Remkitės taikomomis taisyklėmis ir išsiaiškinkite, kaip gaminį sureguliuoti ir užtikrinti, kad jis veiks, kaip nurodyta etiketėje, be to, kaip įvertinti garso slopinimą. Papildomai 3M rekomenduoja atlikti klausos apsaugos priemonių tinkamumo bandymus.
- Įsitikinkite, kad klausos apsaugos priemonė tinkamai

pasirinkta, pritaikyta, sureguliuota ir prižiūrima. Jei šis prietaisas netinkamai pritaikytas naudotojui, sumažėja triukšmo slopinimo efektyvumas. Pridėtos instrukcijose nurodyta, kaip gaminį tinkamai pritaikyti naudotojui.

- Kiekvieną kartą prieš naudodami patikrinkite klausos apsaugos priemonę. Jei ji pažeista, naudokite kitą klausos apsaugos priemonę arba venkite triukšmingos aplinkos.
- Jei būtina naudoti kitas papildomas apsaugos priemones (pvz., auspogūnius akinius, respiratorius ir kt.), jų kojėlės ar diržai turi būti lankstūs ir tvirtinami žemiau, kad neišterptų tarp ausinių pagalvėlių. Pašaliniai objektai (pvz., plaukai, kepurės, papuošalai, ausinės, higieniniai uždangalai ir pan.) gali trukdyti ausinių pagalvėlėms priglusti ir taip sumažinti teikiama apsauga.
- Neriškite plaukų raiščio ar apykaklės, taip pat įsitikinkite, kad ausinės laikosi tvirtai.
- Ausinės, o ypač pagalvėlės, gali susidėvėti, todėl reikia dažnai tikrinti, ar jos neištrūkusios ir nepraleidžia triukšmo. Kai naudojama nuolat, rekomenduojama bent du kartus per metus pakeisti ausinių pagalvėles ir putplasčio įdėklus, kad būtų užtikrintas tinkamas slopinimas, higieniškumas ir komfortas.
- Šioje klausos apsaugos priemonėje įtaisytos garso elektros grandinės galia gali viršyti dienos garso lygio apribojimą. Nustatykite žemiausią garsumo lygį.
- Nesilaikant šių reikalavimų ausinės neužtikrins reikiamos klausos apsaugos.

EN 352 saugos pranešimai:

- Šioje klausos apsaugos priemonėje įtaisytos nuo lygio priklausomos grandinės galia gali viršyti išorinio garso lygio apribojimą.
- Uždėjus higienines pagalvėlių apmovas gali pablogėti akustinės ausinių savybės.
- Senkant maitinimo elementų energijai veikimas gali pablogėti. Naudojant ausines be pertraukos, maitinimo elementų energijos turėtų pakakti tiek laiko:
 - LDF ir NIB: 30 val.
 - LDF: 50 val.
- Šiam gaminiui gali pakenkti tam tikros cheminės medžiagos. Išsamesnės informacijos teiraukitės gamintojo.
- Šios ausinės yra mažos. Pagal EN 352-1 dokumentą ausinės gali būti vidutinio dydžio, mažos arba didelės. Vidutinio dydžio ausinės tinka daugumai žmonių. Mažos arba didelės ausinės skirtos tiems, kuriems netinka vidutinio dydžio ausinės.
- Gaminys nepritaikytas naudoti esant dideliame nuolatiniam žemųjų dažnių triukšmo lygiui.

DĖMESIO

- Sproginimo pavojus, jeigu keičiant maitinimo elementą įdedamas netinkamo tipo elementas.
- Visada naudokite konkrečiam gaminiui skirtas 3M pakaitines dalis. Naudojant nepatvirtintas pakaitines dalis gali sumažėti šio gamtinio suteikiamos apsaugos lygis.

PASTABA

- Dėvint pagal naudojimo instrukcijas, ši klausos apsaugos priemonė padeda sumažinti nuolatinį triukšmą, pvz., pramonės įrenginių, automobilių bei lėktuvų, ir labai garsų impulsinį triukšmą, pvz., šūvio. Sudėtinga numatyti reikalingą

ir (arba) faktinę klausos apsaugą nuo impulsinio triukšmo. Šaudant klausos apsaugos efektyvumas priklauso nuo ginklo tipo, šūvių skaičiaus, tinkamo klausos apsaugos priemonės pasirinkimo, pritaikymo ir naudojimo, priežiūros bei kitų veiksnių. Norėdami daugiau sužinoti apie klausos apsaugą nuo impulsinio triukšmo, apsilankykite adresu www.3M.com/hearing.

- Šios ausinės garsus slopina priklausomai nuo triukšmo lygio. Prieš naudojant būtina patikrinti, ar tinkamai veikia. Jei pastebimas iškraipymas arba gedimas, reikia vadovautis gamintojo nurodymais dėl priežiūros ir maitinimo elementų keitimo.
- Šiose ausinėse įtaisyta elektrinė garso įvestis. Prieš naudojant būtina patikrinti, ar tinkamai veikia. Jei naudotojas pastebi iškraipymą arba gedimą, jis turi kreiptis patarimo į gamintoją.
- Darbinės temperatūros intervalas: nuo $-20\text{ }^{\circ}\text{C}$ ($-4\text{ }^{\circ}\text{F}$) iki $55\text{ }^{\circ}\text{C}$ ($131\text{ }^{\circ}\text{F}$)
- Laikymo temperatūros intervalas: nuo $-20\text{ }^{\circ}\text{C}$ ($-4\text{ }^{\circ}\text{F}$) iki $55\text{ }^{\circ}\text{C}$ ($131\text{ }^{\circ}\text{F}$)
- Klausos apsaugos priemonės svoris: MT20H682FB-**-**N** = 340 g, MT20H682BB-**-**N** = 313 g, MT20H682FB-**-**N** (HY80) = 379 g
- Naudojimo terminas: 5 metai, išskyrus maitinimo elementus

PATVIRTINIMAI

„3M Svenska AB“ pareiškia, kad radijo ryšio prietaisais atitinka Direktyvą 2014/53/ES ir kitas atitinkamas direktyvas, reglamentuojančias CE ženkliniamą. „3M Svenska AB“ taip pat pareiškia, kad asmens apsaugos priemonių tipo ausinės atitinka Reglamentą (ES) 2016/425 arba Bendrijos direktyvą 89/686/EEB.

Kokie įstatymai taikytini, galima sužinoti peržiūrėjus atitikties deklaraciją adresu www.3M.com/peltor/doc. Atitikties deklaracijoje taip pat bus nurodyta, ar kitokio pobūdžio patvirtinimai taip pat taikomi. Ieškodami reikiamos atitikties deklaracijos, susiraskite savo dalies numerį. Ausinių dalies numeris yra apatinėje vieno iš kausėlių dalyje. Tai parodyta toliau pateiktame paveikslėlyje.



Suomijos profesinės sveikatos institutas („Finnish Institute of Occupational Health“), paskelbtoji įstaiga nr. 0403, Topeliuksenkatu 41 b, FI-00250 Helsinki, Suomija, kas metus atlieka asmens apsaugos priemonių audita (jei gaminiai yra III kategorijos) ir patvirtina jų tipą. Gaminys buvo išbandytas ir patvirtinta, kad jis atitinka EN 352-1:2002, EN 352-4 2001/A1:2005, EN 352-6:2002.

Atitikties deklaracijos kopiją ir papildomą informaciją, kurios reikalaujama direktyvose, taip pat galima gauti susisiekius su 3M atstovu įsigijimo šalyje. Kontaktinė informacija pateikiama paskutiniuose šios naudojimo instrukcijos puslapiuose.



Šiame gaminyje yra elektros ir elektroninių komponentų, jo negalima išmesti su įprastomis šiukšlėmis. Žr. vietines direktyvas, reglamentuojančias elektros ir elektronines įrangos išmetimą.

SLOPINIMAS LABORATORIJOSE

Slopinimo koeficientas (SNR) gautas, kai prietaisais buvo išjungtas. Slopinimo lentelių paaiškinimas pateiktas toliau.

Europos standartas EN 352

Tyrimai rodo, kad garso slopinimas gali būti mažesnis, nei nurodyta ant pakuotės, jei priemonė ne itin gerai tinka naudotojui, jei naudotojui trūksta pritaikymo įgūdžių ir motyvacijos. Remkitės taikomomis taisyklėmis ir išsiaiškinkite, kaip gaminį sureguliuoti ir užtikrinti, kad jis veiks, kaip nurodyta etiketėje, be to, kaip įvertinti garso slopinimą. Papildomai 3M rekomenduoja atlikti klausos apsaugos priemonių tinkamumo bandymus.

A:1 Dažnis (Hz)

A:2 Vidutinis slopinimas (dB)

A:3 Standartinis nuokrypis (dB)

A:4 Numanoma apsaugos vertė, APV (dB)

A:5

H – klausos apsaugos nuo aukštųjų dažnių garsų ($f \geq 2000\text{ Hz}$) įvertinimas

M – klausos apsaugos nuo vidutinių dažnių garsų ($500\text{ Hz} < f < 2000\text{ Hz}$) įvertinimas

L – klausos apsaugos nuo žemųjų dažnių garsų ($f \leq 500\text{ Hz}$) įvertinimas

A:6 Kriterijaus lygis

H – aukštųjų dažnių triukšmo kriterijaus lygis

M – vidutinių dažnių triukšmo kriterijaus lygis

L – žemųjų dažnių triukšmo kriterijaus lygis

A: 7 Europos standartas EN 352-6, išorinio garso įvesties lygiai

A:8 Įvesties signalo lygis, U (mV, RMS)

A:9 Vidutinis garso slėgio lygis (dB(A))

A:10 Garso slėgio standartinis nuokrypis (dB)

A:11 Įvesties signalo lygis, kai vidurkis plius vienas standartinis nuokrypis yra lygu 82 dB(A)

B) Australijos /Naujosios Zelandijos standartas AS/NZS 1270:2002

B:1 Bandymo dažniai

B:2 Vidutinis slopinimas, „Mean Att“

B:3 Standartinis nuokrypis, „St Dev“

B:4 Vidurkis atėmus SN

KOMPONENTAI

C:1 Lanksti galvos juosta

C:2 Kauselio atraminė svertis

C:3 Dviejų taškų tvirtinimo detalės

C:4 Kauselis

C:5 Maitinimo elementų dangtelis

- C:6 Mikrofonas aplinkos garsams
- C:7 Slopinimo pagalvėlė
- C:8 Ausies pagalvė
- C:9 Išorinės įvesties kabelis (tik kai kuriuose modeliuose)
- C:10 Pokalbių mikrofonas (tik tam tikruose modeliuose)
- C:11 Kaklo juosta
- C:12 Pokalbių mikrofono įvestis (J22) (tik tam tikruose modeliuose)
- C:13 Mygtukas [-]
- C:14 Mygtukas [+]
- C:15 NIB PTT

PRITAIKYMO INSTRUKCIJOS

Galvos juosta

- D:1 Paslinkkite kaušelius ir pakreipkite viršutinę kaušelio dalį į išorę – kabelis turi būti išorinėje galvos juostos pusėje.
- D:2 Sureguliuokite kaušelių aukštį slinkdami juos aukštyn arba žemyn (nejudinkite galvos juostos).
- D:3 Galvos juosta turi būti ant viršugalvio, kaip parodyta, ir prilaikyti ausines.

Kaklo juosta

- D:4 Uždėkite kaušelius ant ausų.
- D:5 Laikykite kaušelius reikiamoje vietoje, uždėkite galvos lankelį ant viršugalvio ir tvirtai užfiksuokite lankelį.
- D:6 Galvos lankelis turi būti ant viršugalvio.

E: 1–E:2 Pokalbių mikrofono pritaikymas

Tam, kad triukšmingose vietose pokalbių mikrofonas veiktų geriau, priartinkite mikrofoną prie pat burnos (mažiau nei per 3 mm arba 1/8 col.).

PASTABA. Naudojant dideliame aukštyje / aviacijos reikmėms, aplinkos slėgis gali greitai nukristi ir tai gali paveikti mikrofono jautrumą, pvz., kylant sraigtasparniui. Tokiu atveju laikykite mikrofoną arčiau burnos ir (arba) kalbėkite garsiau, kad mikrofono membraną veiktų didesnis slėgis.

NAUDOJIMO INSTRUKCIJOS

Maitinimo elementų keitimas (1 pav.)

- 1–2. Nuimkite maitinimo elementų skyriaus dangtelius ir įdėkite maitinimo elementus (2 x AAA).
- 3. Maitinimo elementų poliškumas turi atitikti maitinimo elementų skyriaus ženklus.
- 4. Kad būtų užtikrintas sandarumas, dangteliai turi būti nuspausti iki galo. Žemą maitinimo elementų įkrovos lygį nurodo kartojamas balso pranešimas „low battery“ (maitinimo elementai senka).

Ausinių įjungimas ir išjungimas (2 pav.)

Norėdami ausines įjungti arba išjungti, paspauskite ir maždaug 2 sekundes laikykite nuspaudę mygtuką [+] arba [-]. Pasigirs patvirtinantis balso pranešimas. Išjungus ausines esama nuostata visada išsaugoma.

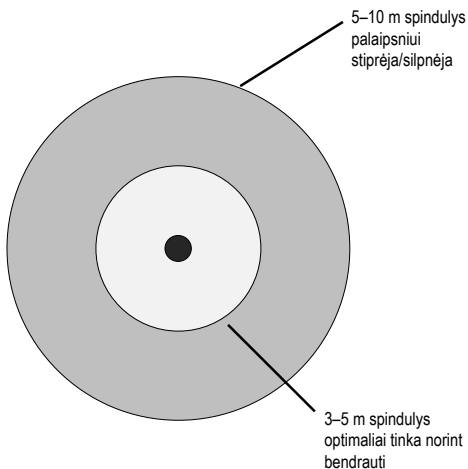
Ausinės automatiškai išjungiamos, jei nenaudojamos dvi valandas. Tai nurodo balso pranešimas, pasigirstantis paskutinę minutę prieš išjungiant ausines. Paspauskite [+] arba [-] mygtuką, norėdami iš naujo nustatyti dviejų valandų laikotarpį.

Garsumo reguliavimas (3 pav.)

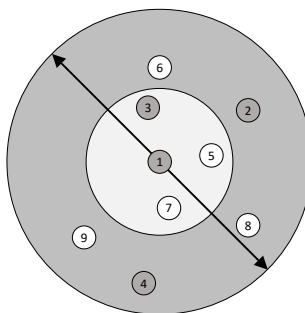
Paspauskite [+] arba [-], norėdami reguliuoti aplinkos garsumą. Yra keturios lygio nuostatos, taip pat galima išjungti aplinkos garsus. Didžiausias nuostatas patvirtina pyptelėjimas. Išjungtų aplinkos garsų režimas patvirtinamas balso pranešimu.

Tiesioginis bendravimas naudojantis NIB technologija

NIB suteikia galimybę tiesiogiai bendrauti žmonėms, kurie yra netoli vienas kito triukšmingoje aplinkoje.



NIB technologija užtikrina belaidį ryšį 10 m spinduliu. Šiame perimetre užtikrinamas absoliučiai abipusis iki keturių žmonių bendravimas.

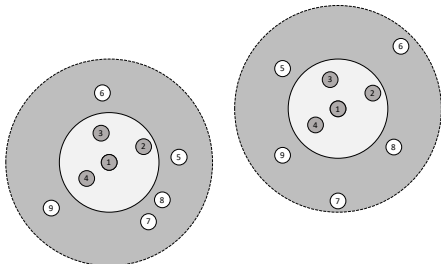


Jei aplinka triukšminga, tiesiog priekite prie žmogaus, su kuriuo norite pasikalbėti. NIB technologija palaipsniui stiprės ir silpnės (5–10 m spinduliu) ir leis bendrauti su netoliese esančiais žmonėmis. Kad ryšio signalas būtų optimalus, nenutolkite toliau nei 3–5 m spinduliu.

Jei keturi absoliučiai abipusio perdavimo kanalai užimti (1–4),

kiti naudotojai vis tiek gali klausytis, bet negali perduoti signalų (5–9). Didžiausią klausytojų skaičių lemia tai, kiek žmonių yra 10 m spinduliu, o ne technologijos galimybės.

PASTABA. Kai daugiau nei keturi naudotojai bando perduoti signalą per NIB, 5-asis ir kiti naudotojai girdi pypsėjimą, informuojantį, kad siunčiamas signalas nebuvo perduotas.



Kuriai NIB grupei priklausote, priklauso nuo jūsų ir kitų naudotojų NIB ausinių vietos.

NIB veikia, kai aplinkos triukšmo lygis viršija maždaug 80 dB ir kai triukšmas tęsiasi maždaug 1 sekundę.

NIB taip pat veikia, kai triukšmo lygis mažesnis nei 80 dB, jei naudotojas paspaudžia PTT, veikiant PTT arba VOX režimui.

NIB aktyvinimas (7 pav.)

Greitai du kartus paspaudus PTT, perjungiamos nuostatos NIB PTT ON/NIB OFF/NIB VOX ON.

Paspaudus ir laikant nuspaustą NIB PTT mygtuką, galima bendrauti 10 m spinduliu, jei veikia NIB VOX ON ar NIB PTT ON režimas.

NIB VOX ON – veikiant šiam režimui, didelis triukšmo lygis suaktyvina NIB radiją ir leidžia palaikyti VOX ryšį (iki keturių naudotojų). Paspaudus PTT mygtuką, kai veikia VOX ON režimas, taip pat galima bendrauti tyloje.

Kai ausinės veikia aplinkoje, kurioje retkarčiais pasigirsta triukšmas, triukšmas gali pakartotinai suaktyvinti NIB VOX. Esant tokiai situacijai, galite naudoti NIB PTT ON.

NIB PTT ON – veikiant šiam režimui, PTT mygtukas turi būti paspaustas, norint perduoti signalą.

NIB OFF – šis režimas IŠJUNGIA NIB radiją. Veikiant NIB OFF režimui, NIB radijas nesiunčia RD signalų.

NIB „Push-to-talk“ (8 pav.)

Paspauskite ir palaikykite PTT, esantį ant kairiojo auselio, kad perduotumėte NIB signalą.

Meniu atidarymas (4 pav.)

1. Paspauskite ir laikykite nuspaudę mygtuką [+] ir [–], kad pasirodytų meniu. Pasigirs patvirtinantis balso pranešimas.
2. Trumpai paspauskite mygtuką [–], kad perjungtumėte meniu elementus. Meniu veiksmai išvardyti toliau.

3. Mygtukas [+] naudojamas nuostatai pakeisti ir, jei įmanoma, galimoms nuostatomis perjungti. Balsu pranešimas patvirtina kiekvieną veiksmą, tada – dabartinę nuostatą. Pakeitimai taip pat patvirtinami balsu pranešimu. Po keleto neveikimo sekundžių meniu pakeičia garsumo režimas. Spaudžiant [+] ir [–], garsumo nuostatą galima iš karto pasiekti bet kurioje meniu vietoje.

Ambient/Environmental listening mode (Aplinkos garsų režimas)

Aplinkos garsų režimas gali būti dviejų variantų – klasikinio ir išplėstinio. Klasikinis režimas suteikia galimybę reguliuoti garsumą keturiais etapais, didinant arba mažinant aplinkos garsų lygį. Išplėstinis režimas apima keturias iš anksto parinktas nuostatas, optimizuotas skirtingiems garsų profiliams.

Nuostata	Paskirtis
1 išplėstinis režimas (komfortas)	Užtikrina komfortą labai triukšmingoje aplinkoje.
2 išplėstinis režimas (pokalbis)	Garsas išlieka natūralus ir užtikrinama apsauga nuo staiga pasigirstančio triukšmo.
3 išplėstinis režimas (patruliuavimas)	Skirta situacijoms, kai reikia išlaikyti budrumą vaikstant ne itin triukšmingoje aplinkoje.
4 išplėstinis režimas (atidumas)	Skirta situacijoms, kai reikia būti labai atidiems tyloje aplinkoje.

Battery (Maitinimo elementas)

Galima pasirinkti, kokio tipo maitinimo elementai (šarminiai ar įkraunamieji) naudojami ausinėse.

Wireless input (Belaidė įvestis)

1. Vadovaudamiesi 3M™ PELTOR™ TEP-LOOP.* naudojimo instrukcijomis, nustatykite kaklo kilpos imtuvą.
2. Naudodami ausinių meniu sureguliuokite belaidę įvestį ir jautrumą pagal prijungtą kaklo kilpos imtuvą. Galite rinktis „Off“ (išjungti) / „Low“ (mažas) / „Medium“ (vidutinis) / „High“ (didelis).
3. Jei reikia, sureguliuokite išorinio radijo garsumo lygį.

PASTABA. Garsumo lygis gali skirtis, atsižvelgiant į atstumą tarp ausinių ir kaklo kilpos imtuvo.

Wired input (Laidinė įvestis)

Reguliuokite laidinę įvestį ir jautrumą, kad atitiktų laidinį prietaisą. Galite rinktis „Low“ (mažas) / „High“ (didelis).

Balance (Balansas)

Balanso nuostata lemia garsumo balansą dešiniojoje ir kairiojoje ausyje. Yra septynių lygių nuostatos: „Center“ (centras), „Left 1“ (1 kairė), „Left 2“ (2 kairė), „Max left“ (maks. kairė), „Max right“ (maks. dešinė), „Right 2“ (2 dešinė), „Right 1“ (1 dešinė).

Warning signals (Išpėjamieji signalai)

Išpėjamojo signalo nuostata išjungia / įjungia išpėjamuosius signalus „low battery“ (maitinimo elementai senka) ir „automatic power off“ (automatinis išjungimas). Išjungus šie išpėjamieji signalai nebus girdimi.

Automatic power off (Automatinis išjungimas)

Automatinio išjungimo nuostata išjungia / įjungia automatinio išjungimo funkciją.

NIB frequency (NIB dažnis)

Šiaurės Amerikoje, Australijoje ir Naujojoje Zelandijoje NIB dažnis yra 915 MHz.

Europoje NIB dažnis yra 864 MHz.

Pasirinkite NIB dažnį: 864 MHz (ES) arba 915 MHz (NA, ANZ). Paspauskite [+], kad pasirinktumėte, ir palaiykite paspaudę [+], kad patvirtintumėte pasirinkimą.

PASTABA. Įsitinkinkite, kad pasirinkote dažnį, kuris patvirtintas kaip tinkamas regione, kuriame dirbate.

Factory reset (Gamyklinių nuostatų atkūrimas)

Atkuriamos visų meniu nuostatų numatytosios gamyklinės vertės. Šią nuostatą reikia patvirtinti spaudžiant [+], kai pasigirsta balso pranešimas „confirm factory reset“ (patvirtinti gamyklinių nuostatų atkūrimą).

NIB TRIKŲ ŠALINIMAS

Problema	Galimos priežastys	Pasiūlymas
Ausinės pypteli perduodant signalą.	NIB kanalą užėmė keturi naudotojai.	Palaukite, kol atsilaisvins.
Ausinės pypteli perduodant signalą.	Perimetre nėra kitų ausinių.	Patikrinkite, ar perimetre yra kitų ausinių.
Negalima girdėti kitų ar bendrauti su jais.	Naudojate netinkamą NIB dažnį regione, kuriame dirbate.	Meniu pasirinkite tinkamą NIB dažnį. Žr. „NIB dažnis“.
Negalima girdėti kitų ar bendrauti su jais.	NIB nebuvo suaktyvintas.	Perjunkite režimus, spausdami PTT mygtuką. Žr. „NIB aktyvinimas“.

PRIEŽIŪRA IR VALYMAS

Šluoste, sudrėkinta šiltu muiliniu vandeniu, nuvalykite kaušelių išorę, galvos juostą ir ausų pagalvėles.

PASTABA. NEMERKITE klausos apsaugos priemonės į vandenį. Jei klausos apsaugos priemonė sušlampa dėl lietaus ar prakaito, išverskite ausines į išvirkščią pusę, nuimkite ausų pagalvėles bei putplasčio įdėklus ir prieš vėl surinkdami leiskite išdžiūti. Naudojamos ausų pagalvėles ir putplasčio įdėklai gali susidėvėti, todėl reikia reguliariai tikrinti, ar jie neįtrūkė ir kitaip nepažeisti. Naudojant reguliariai, 3M rekomenduoja putplasčio įdėklus ir ausų pagalvėles keisti bent du kartus per metus, kad būtų užtikrintas nuolatinis slopinimas, higieniškumas ir komfortas. Jei ausies pagalvėlė pažeista, ją reikia pakeisti. Žr. toliau pateiktą skyrių „Atsarginės dalys“.

AUSŲ PAGALVĖLIŲ NUĖMIMAS IR KEITIMAS

F:1 Norėdami nuimti ausies pagalvėlę, užkiškite pirštus už pagalvėlės vidinio krašto ir stipriai patraukite.

F:2 Išimkite esamus įdėklus ir įdėkite naujus putplasčio įdėklus.
F:3 Vieną ausies pagalvėlę pusę įstatykite į ausies kaušelio griovelį ir spauskite priešingą pusę, kol ausies pagalvėlė užsifiksuos.

MIKROFONO APSAUGINĖS JUOSTELĖS NAUDOJIMAS

Kad pokalbių mikrofoną su strypu apsaugotumėte nuo drėgmės ir purvo, naudokite mikrofono apsaugos priemonę HYM1000.

Kaip uždėti apsaugos priemonę (G pav.):

G:1 Žirkėmis atkirpkite 100 mm mikrofono apsauginės juostelės. Nuimkite apsauginį popierių.

G:2 Mikrofono padėkite juostelės gale, kaip parodyta paveikslėlyje.

G:3 Sulenkite apsauginę juostelę ir įsitinkinkite, kad ji dengia mikrofoną.

G:4 Tvirtai suspauskite, kad apsauginė juostelė susiklijuotų.

G:5 Mikrofonas paruoštas naudoti.

ATSARGINĖS DALYS IR PRIEDAI

3M™ PELTOR™ HY68 SV higienos rinkinys

Vienkartinis higienos priemonių rinkinys. Norėdami užtikrinti nuolatinį slopinimą, higieniškumą ir komfortą, keiskite mažiausiai dukart per metus.

3M™ PELTOR™ HY80-EU gelinės pagalvėlės higienos priemonių rinkinys

3M™ PELTOR™ HY100A vienkartinės apsaugos priemonės Vienkartinė apsaugos priemonė, kurią lengva uždėti ant ausų pagalvėlių.

3M™ PELTOR™ MT73 vandeniui atsparus mikrofonas Vandeniui atsparus dinaminis pokalbių mikrofonas.

3M™ PELTOR™ M171/2 mikrofono skydelis nuo vėjo

3M™ PELTOR™ HYM1000 mikrofono apsaugos priemonė Drėgmei ir vėjui atspari juostelė, apsauganti pokalbių mikrofoną.

3M™ PELTOR™ M60/2 apsaugos nuo vėjo priemonė, skirta aplinkos garsų mikrofonams

3M™ PELTOR™ HY450/1 galvos pagalvėlė Naudojama mažo dydžio lankščioms galvos juostoms.

3M™ PELTOR™ LR03NM maitinimo elementas, AAA, NiMH

GARANTIJA IR ATSAKOMYBĖS APRIBOJIMAS

GARANTIJA. Jei kuris nors 3M asmeninės apsaugos gaminyje turėtų medžiagų, gamybos defektų arba neatitiktų kurios nors aiškios paskirties garantijos, vienintelis 3M įsipareigojimas, o jūsų išskirtinė teisės gynimo priemonė būtų (3M nuožūra) taisymas, pakeitimas arba už tokias dalis ar gaminius sumokėtų pinigų gražinimas, laiku pranešus apie problemą bei patvirtinus, kad gaminyje buvo laikomas, prižiūrimas ir naudojamas pagal 3M rašytines instrukcijas. IŠSKYRUS ĮSTATYMŲ DRAUDŽIAMUS ATVEJUS, ŠI GARANTIJA YRA IŠSKIRTINĖ IR PAKELIAMA BET KOKIĄ AIŠKIĄ ARBA NUMANOMĄ PERKAMUMO, TINKAMUMO KONKREČIAM TIKSLUI ARBA

KITOKIĄ KOKYBĖS GARANTIJĄ, TAIP PAT GARANTIJĄ, ATSIKANDANČIA SUDARANT SANDORIUS, DĖL ĮPRASTOS PREKYBOS PRAKTIKOS, IŠSKYRUS NUOSAVYBĖS IR PATENTO PAŽEIDIMO GARANTIJAS. Pagal šią garantiją 3M neturi įsipareigojimų, susijusių su kokiu nors gaminiu, kuris sugedo dėl netinkamo laikymo, tvarkymo arba priežiūros, dėl gaminio instrukcijų nesilaikymo, jo pakeitimo ar pažeidimo, kurio priežastis yra nelaimingas atsitikimas, aplaidumas ar netinkamas naudojimas.

ATSAKOMYBĖS APRIBOJIMAS. IŠSKYRUS ĮSTATYMU DRAUDŽIAMUS ATVEJUS, 3M NIEKADA NETURI BŪTI LAIKOMA ATSAKINGA UŽ JOKIUS TIESIOGINIUS, NETIESIOGINIUS, SPECIALIUOSIUS, ATSITIKTINIUS AR NEATSITIKTINIUS NUOSTOLIUS ARBA ŽALĄ (ISKAITANT PRARASTĄ PELNĄ), PATIRTĄ NAUDOJANT ŠĮ GAMINĮ, NEPAISANT TEISĖS TEORIJOS. ČIA NUSTATYTOS TEISIŲ GYNIMO PRIEMONĖS YRA IŠSKIRTINĖS.

MODIFIKUOTI DRAUDŽIAMA. Neturint rašytinio 3M įmonės sutikimo, negalima atlikti jokių šio prietaiso modifikacijų. Dėl neteisėtų modifikacijų garantija gali nustoti galioti ir naudotojas gali prarasti teisę naudoti prietaisą.

PASTABA.

- Nedėkite kartu senų ir naujų maitinimo elementų.
- Nedėkite kartu šarminių, standartinių ar įkraunamųjų maitinimo elementų.
- Norėdami tinkamai išmesti maitinimo elementus, laikykitės vietoje galiojančių kietųjų atliekų išmetimo reikalavimų.
- Naudokite tik AAA neįkraunamuosius ar NiMH įkraunamuosius (kaip taikytina) maitinimo elementus.

3M™ PELTOR™ ComTac™ VI NIB Headset MT20H682***N**

IEVADS

Apsveicam un pateicamies, ka izvēlējāties 3M™ PELTOR™ sakaru risinājumus! Laipni lūgti drošas saziņas nākamajā paaudzē!

PAREDZĒTAIS LIETOŠANAS VEIDS

Šīs 3M™ PELTOR™ austiņas nodrošina aizsardzību pret kaitīgu trokšņu līmeni un skaļām skaņām, vienlaikus atskaņojot apkārtējās skaņas ar vides mikrofonu starpniecību, ļaujot klausīties pievienotās sakaru ierīces un savstarpēji sarunāties lielā, pastāvīgā troksnī, izmantojot iebūvēto tehnoloģiju Natural Interaction Behavior (NIB). Visiem lietotājiem ir jāizlasa un jāizprot iekļautā lietošanas instrukcija, kā arī jāpārzina šīs ierīces lietošana.

SVARĪGI!

Pirms lietošanas, lūdzu, izlasiet, izprotiet un ievērojiet šajā instrukcijā sniegto drošības informāciju. Saglabājiet šo lietošanas instrukciju turpmākai atsaucēi. Lai iegūtu papildinformāciju un saņemtu atbildes uz jautājumiem, sazinieties ar 3M tehnisko dienestu (kontakttinformācija ir norādīta pēdējā lappusē).



BRĪDINĀJUMS!

Šīs dzirdes aizsargierīces palīdz mazināt bīstama trokšņa un citu skaņu skaņu iedarbību uz dzirdi. Nepareiza šīs dzirdes aizsargierīces lietošana vai tās nelietošana bīstama trokšņa apstākļos var radīt dzirdes zudumu vai bojājumus. Lai saņemtu informāciju par pareizu lietošanu, konsultējieties ar darbu vadītāju, skatiet lietošanas instrukciju vai sazinieties ar 3M tehnisko dienestu. Ja šķiet, ka dzirdē ir kļūvuši vājāka, ja dzirdat zvanīšanu vai dūkoņu trokšņa laikā vai pēc atrašanās trokšņa (tostarp šāvienu) iedarbībā vai ja kādu citu iemeslu dēļ rodas aizdomas par dzirdes traucējumiem, nekavējoties pametiet trokšņaino vidi un konsultējieties ar medicīnas speciālistu un/vai darbu vadītāju.

Šo norādījumu neievērošana var izraisīt nopietnas traumas vai nāvi.

- Mūzikas vai cita audio satura klausīšanās var traucēt jums uztvert apkārt notiekošo un sadzirdēt brīdinājuma signālus. Saglabājiet modrību un noregulējiet audio skaļuma viszēmākajā pieļaujamajā līmenī. Noteiktās darbavietās izklaides sistēmas lietošanas laikā var būt traucēta brīdinājuma signālu dzirdamība.
- Lai mazinātu ar sprādziena izraisīšanu saistītos riskus, nelietojiet šo izstrādājumu potenciāli sprādzienbīstamā vidē.

Tālāk sniegto norādījumu neievērošana var samazināt austiņu nodrošināto aizsardzību un izraisīt dzirdes zudumu.

- Pētījumi liecina, ka dzirdes aizsarglīdzekļa nodrošinātais trokšņa samazinājums var būt mazāks nekā norādīts uz iepakojuma. To var izraisīt izmēra nepiemērotība, neprasmīga uzstādīšana vai lietotāja motivācijas trūkums. Skatiet spēkā esošos noteikumus par vērtību pielāgošanu

un trokšņa samazinājuma plēšanu. Turklāt 3M stingri iesaka pārbaudīt dzirdes aizsargierīču izmēra piemērotību.

- Pārlicinieties, vai ir izvēlēts atbilstošs dzirdes aizsarglīdzeklis, vai tā izmērs ir piemērots, vai tas ir pareizi noregulēts un apkopts. Nepareizi lietojot šo aizsarglīdzekli, samazināsies trokšņa slāpēšanas efektivitāte. Iepazīstieties ar pievienotajām norādēm, lai uzzinātu par pareizu lietošanu.
- Pārbaudiet dzirdes aizsargierīci pirms katras lietošanas reizes. Ja dzirdes aizsargierīce ir bojāta, izvēlieties nebojātu ierīci vai neuzturieties trokšņainā vidē.
- Ja ir nepieciešami papildu individuālie aizsarglīdzekļi (piemēram, aizsargbrilles, respiratori utt.), izvēlieties līdzekļus ar elastīgām un plānām kājiņām vai siksnām, kas mazāk ietekmē austiņu spilventiņu blīvējumu. Noņemiet visus liekos objektus (piemēram, matus, cepures, rotaslietas, audio austiņas, higiēnas pārvalkus utt.), kas var ietekmēt austiņu spilventiņu blīvējumu un samazināt to nodrošināto aizsardzību.
- Nelokiet un nedeformējiet galvas lenti vai kakla lenti un pārlicinieties, vai tā pietiekami cieši notur austiņas vietā.
- Austiņas un it īpaši austiņu spilventiņu laika gaitā var nolietoties, un ir periodiski jāpārbauda, piemēram, vai tajos nav radušās plaisas un vai nav skaņas noplūdes. Regulāras lietošanas gadījumā mainiet ausu spilventiņus un putu ieliktņus vismaz divreiz gadā, lai nodrošinātu pastāvīgu aizsardzību, higiēnu un komfortu.
- Šīs dzirdes aizsargierīces elektriskās audioķēdes izvade var pārsniegt iekdienā pieļaujamo skaņas skaļuma līmeni. Noregulējiet audio skaļuma viszēmākajā pieļaujamajā līmenī.
- Iepriekš norādīto prasību neievērošana būtiski mazina austiņu nodrošināto aizsardzību.

EN 352 drošības paziņojumi

- Šīs dzirdes aizsargierīces no apkārtējās vides skaļuma atkarīgās elektriskās audioshēmas izvades skaļums var pārsniegt ārējo skaņas līmeni.
- Spilventiņu higiēnas pārvalku izmantošana var ietekmēt austiņu skaņas kvalitāti.
- Baterijām/akumulatoram izlādējoties, var pasliktināties darbības kvalitāte. Aptuvenais paredzamais austiņu bateriju/akumulatora nepārtrauktas izmantošanas laiks:
 - LDF un NIB: 30 stundas
 - LDF: 50 stundas
- Šo izstrādājumu var nelabvēlīgi ietekmēt noteiktas ķīmiskās vielas. Papildinformāciju pieprasiet ražotājam.
- Šīs ir mazo izmēru klāsta austiņas. EN 352-1 standartam atbilstošās austiņas ir vidēja, maza vai liela izmēra. Vidēja izmēra austiņas ir piemērotas vairumam lietotāju. Maza izmēra un liela izmēra austiņas ir izstrādātas lietotājiem, kuriem vidēja izmēra austiņas nav piemērotas.
- Izstrādājums nav piemērots lietošanai ilgstošā, spēcīgā zemas frekvences troksnī.

UZMANĪBU!

- Nomainot akumulatoru pret neatbilstoša veida akumulatoru, pastāv sprādziena risks.
- Vienmēr izmantojiet izstrādājumam paredzētās 3M rezerves daļas. Nepilnvarotu rezerves daļu izmantošana var samazināt izstrādājuma nodrošināto aizsardzību.

PIEZĪME

- Valkājot dzirdes aizsargierīci atbilstoši šai lietošanas instrukcijai, tiek mazināta ilgstoša trokšņa — gan sadzīves trokšņa, piemēram, rūpnieciskā, satiksmes un lidaparātu trokšņa, gan ļoti skaļu impulsa trokšņu, piemēram, šāvienu trokšņa, — iedarbība. Ir grūti prognozēt nepieciešamo un/vai reālo dzirdes aizsardzību impulsa trokšņu gadījumā. Šāvienu gadījumā aizsardzības veiktspēju ietekmē ierocā tips, izšauto ložu skaits, atbilstošas dzirdes aizsargierīces izvēle, piemērošana un lietošana, kā arī citi apstākļi. Lai uzzinātu vairāk par dzirdes aizsardzību impulsa trokšņu ietekmē, apmeklējiet vietni www.3M.com/hearing.
- Šīs ausiņas ir aprīkotas ar skaļuma līmeņa samazināšanas funkciju atkarībā no skaļuma līmeņa apkārtējā vidē. Pirms lietošanas ir jāpārbauda, vai dzirdes aizsargierīce darbojas pareizi. Ja tiek konstatēti traucējumi vai kļūdaina darbība, jārikojas saskaņā ar ražotāja sniegto informāciju par dzirdes aizsargierīces uzturēšanu un bateriju nomaiņu.
- Šajās ausiņās ir nodrošināta elektriska audio ievade. Pirms lietošanas ir jāpārbauda, vai dzirdes aizsargierīce darbojas pareizi. Ja tiek konstatēti traucējumi vai kļūdaina darbība, ir jārikojas saskaņā ar ražotāja norādījumiem.
- Darbības temperatūras diapazons: no -20 °C (-4 °F) līdz 55 °C (131 °F)
- Glabāšanas temperatūras diapazons: no -20 °C (-4 °F) līdz 55 °C (131 °F)
- Dzirdes aizsarglīdzekļa masa: MT20H682FB-**N** = 340 g, MT20H682BB-**N** = 313 g, MT20H682FB-**N** (HY80) = 379 g.
- Glabāšanas laiks: 5 gadi, ieskaitot baterijas/akumulatoru.

APSTIPRINĀJUMI

Ar šo uzņēmums 3M Svenska AB paziņo, ka radio sakari atbilst Direktīvai 2014/53/ES un citām spēkā esošajām direktīvām attiecībā uz CE marķējuma prasībām. 3M Svenska AB paziņo arī, ka šīs IAL ausiņas atbilst Regulas (ES) 2016/425 vai Padomes Direktīvas 89/686/EEK prasībām.

Piemērojamos tiesību aktus var uzzināt, pārskatot atbilstības deklarāciju (DoC) vietnē www.3M.com/peltor/doc. DoC dokumentā ir norādīts, vai ir piemērojami arī kādi citi tipa apstiprinājumi. Izgūstot DoC, lūdzu, sameklējiet sērijas numuru. Ausiņu daļas numurs ir norādīts vienas ausiņas lejasdaļā. Zemāk attēlā ir redzams piemērs.



IAL (III kategorijas izstrādājumus) reizi gadā audītē ir apstiprina Somijas Arodveselības institūts (Finnish Institute of Occupational Health) (pilnvarotā iestāde Nr. 0403), Topeliuksenkatu 41 b, FI-00250 Helsinki, Somija. Izstrādājumus ir pārbaudīts un apstiprināts saskaņā ar EN 352-1:2002, EN 352-4:2001/A1:2005, EN 352-6:2002.

Lai iegūtu DoC kopiju un papildinformāciju par direktīvu prasībām, varat arī sazināties ar 3M pārstāvi izstrādājuma

iegādes valstī. Kontaktinformāciju skatiet šīs lietošanas instrukcijas pēdējās lappusēs.



Šajā izstrādājumā ir ietvertas elektriskas un elektroniskas sastāvdaļas, tāpēc to nedrīkst izmest kopā ar sadzīves atkritumiem. Lūdzu, iepazīstieties ar vietējiem noteikumiem par elektrisko un elektronisko ierīču likvidēšanu.

SLĀPĒŠANA LABORATORIJĀ

Trokšņa vājinājuma līmenis (SNR) ir noteikts, izmantojot izslēgtu ierīci. Trokšņa vājinājuma tabulu skaidrojums:

Eiropas standarts EN 352

Pētījumi liecina, ka dzirdes aizsarglīdzekļa nodrošinātais trokšņa samazinājums var būt mazāks, nekā norādīts uz iepakojuma. To var izraisīt izmēra nepiemērotība, neprasīga uzstādīšana vai lietotāja motivācijas trūkums. Skatiet spēkā esošos noteikumus par vērtību pielāgošanu un trokšņa samazinājuma aplēšanu. Turklāt 3M stingri iesaka pārbaudīt dzirdes aizsargierīču izmēra piemērotību.

A:1 Frekvence (Hz)

A:2 Skaņas vājinājuma vidējā vērtība (dB)

A:3 Standarta novirze (dB)

A:4 Pieņemtā skaņas vājinājuma vērtība (Assumed Protection Value — APV) (dB)

A:5

H = Dzirdes aizsardzības aplēses augstām skaņas frekvencēm ($f \geq 2000\text{ Hz}$).

M = Dzirdes aizsardzības aplēses vidējām skaņas frekvencēm ($500\text{ Hz} < f < 2000\text{ Hz}$).

L = Dzirdes aizsardzības aplēses zemām skaņas frekvencēm ($f \leq 500\text{ Hz}$).

A:6 Kritērija līmenis

H = Augstas frekvences trokšņa kritērija līmenis

M = Vidējas frekvences trokšņa kritērija līmenis

L = Zemas frekvences trokšņa kritērija līmenis

A:7 Ārējās audio ievades līmeņi saskaņā ar Eiropas standartu EN 352-6

A:8 Ievades signāla līmenis U (mV, RMS)

A:9 Vidējais skaņas spiediena līmenis (dB(A))

A:10 Skaņas spiediena standartnovirze (dB)

A:11 Ievades signāla līmenis, ar kuru vidējā plus viens standartnovirze ir 82 dB(A)

B) Austrālijas/Jaunzēlandes standarts AS/NZS 1270:2002

B:1 Testēšanas frekvences

B:2 Vidējā skaņas slāpēšanas vērtība (Mean Att)

B:3 Standarta novirze (St dev)

B:4 Vidējā vērtība mīnus standarta novirze

SASTĀVDAĻAS

C:1 Lokāma galvas lente

C:2 Apvalka kronšteins

C:3 Divu punktu stiprinājumi

C:4 Apvalks

- C:5 Bateriju nodalījuma vāciņš
- C:6 Apkārtejo skaņu mikrofons
- C:7 Slāpējošais spilventiņš
- C:8 ausu spilventiņš
- C:9 Ārējās ievades kabelis (tikai noteiktiem modeļiem)
- C:10 Runas mikrofons (tikai noteiktiem modeļiem)
- C:11 Kakla lente
- C:12 Runas mikroфона ieeja (J22) (tikai noteiktiem modeļiem)
- C:13 Tastatūras poga [-]
- C:14 Tastatūras poga [+]
- C:15 NIB PTT

UZSTĀDĪŠANAS NORĀDĪJUMI

Galvas lente

- D:1 Bīdīet apvalkus un paceliet to augšējo malu uz āru, lai kabelis atrastos ārpus galvas lentes.
- D:2 Regulējiet austiņu augstumu, pieturot galvas lenti un bīdot tās uz augšu vai uz leju.
- D:3 Galvas lente ir jānovieto pāri galvas virspusei, kā norādīts attēlā, lai tā balstītu austiņu svaru.

Kakla lente

- D:4 Uzlieciet apvalkus uz ausīm.
- D:5 Turiet apvalkus pozīcijā, novietojiet galvas siksnas sprādzi galvas virspusē un cieši noslēdziet to.
- D:6 Galvas lentes sprādze ir jānovieto pāri galvas virspusei.

E:1-E:2 Runas mikroфона uzstādīšana

Lai uzlabotu runas mikroфона darbību trokšņainās vietās, novietojiet mikrofonu tuvu mutei (mazāk kā 3 mm jeb 1/8 collas attālumā).

PIEZĪME. Lietojot aprikojumu lielā augstumā/aviācijā, strauja spiediena samazināšanās (piemēram, helikopteram paceļoties) var ietekmēt mikroфона jutību. Šādā gadījumā novietojiet mikrofonu tuvāk mutei un runājiet skaļāk, lai palielinātu spiedienu uz mikroфона membrānu.

EKSPLUATĀCIJAS NORĀDĪJUMI

Bateriju nomaīņa (1. att.)

- 1-2. Noņemiet bateriju nodalījuma pārsegu un ievietojiet baterijas (divas AAA tipa baterijas).
3. Bateriju polaritātei ir jāatbilst marķējumam bateriju nodalījumā.
4. Pārsegs ir jāpiespiež līdz galam, lai nodrošinātu labu fiksāciju. Par zemu bateriju/akumulatora uzlādes līmeni liecina atkārtots balss ziņojums: "Low battery" (Zems bateriju/akumulatora uzlādes līmenis).

Austiņu ieslēgšana un izslēgšana (2. att.)

Nospiediet aptuveni 2 sekundes turiet nospiestu [+] vai [-] pogu, lai ieslēgtu vai izslēgtu austiņas. Atskanēs apstiprinājuma balss ziņojums. Izslēdzot austiņas, vienmēr tiek saglabāts esošais iestatījums.

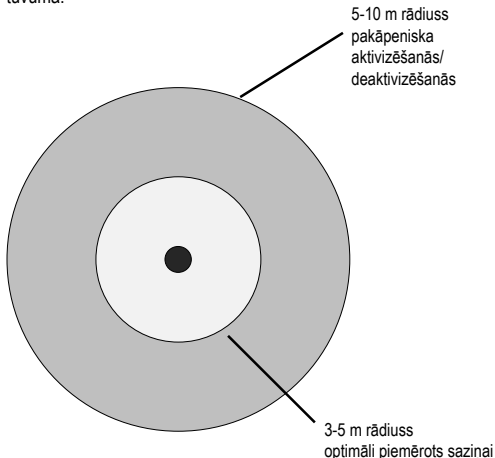
Austiņas automātiski tiek izslēgtas, ja tās divu stundu laikā nav lietotas. Uz to norāda balss ziņojums, kas atskan pēdējās minūtes laikā pirms austiņu izslēgšanās. Nospiediet pogu [+] vai [-], lai atstāftu divu stundu noildzes periodu.

Skaļuma regulēšana (3. att.)

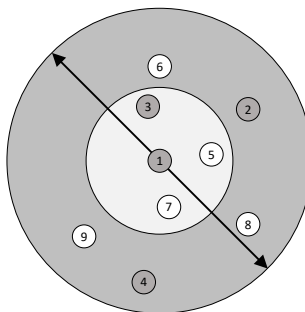
Nospiediet [+] vai [-], lai pielāgotu apkārtejo/vides skaņu skaļumu. Izstrādājumam ir četri skaļuma līmeņi, kā arī iespēja izslēgt apkārtejo/vides skaņu atskaņošanu. Maksimālais iestatījums tiek apstiprināts ar pīkstienu. Apkārtejo/vides skaņu atskaņošanas izslēgšanu apstiprina balss ziņojums.

Tieša sarunāšanās, izmantojot tehnoloģiju NIB

Tehnoloģija NIB ļauj sarunāties trokšņainā vidē, atrodoties tuvumā.



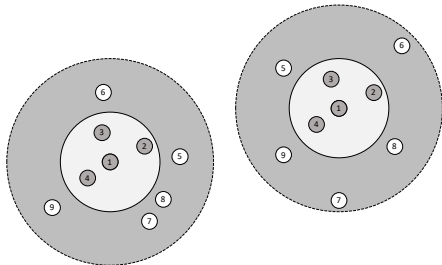
Tehnoloģija NIB nodrošina bezvadu saziņu 10 m rādiusā. Šajā perimetrā var pilnībā savstarpēji sazināties līdz četriem cilvēkiem.



Ja atrodaties trokšņainā vidē, vienkārši pienāciet klāt cilvēkam, ar kuru vēlaties sarunāties. Tehnoloģija NIB pakāpeniski aktivizējas un deaktivizējas (5-10 m rādiusā) un ļauj sazināties ar tuvumā esošiem cilvēkiem. Lai panāktu optimālu signālu, uzturieties 3-5 m rādiusā.

Kad četri pilnībā divpusējas pārraides kanāli (1-4) ir aizņemti, citi lietotāji (5-9) var klausīties, taču nevar pārraidīt skaņu. Klausītāju skaitu ierobežo nevis tehnoloģijas ierobežojumi, bet gan cilvēku skaits, kas var uzturēties 10 m rādiusā.

PIEZĪME. Kad vairāk nekā četri lietotāji mēģina pārraidīt skaņu ar NIB starpniecību, 5. lietotājs (un pārējie lietotāji) dzird pīkstienus, kas norāda, ka izejošā skaņa nav pārraidīta.



Tehnoloģija NIB darbojas atkarībā no tā, kur atrodaties jūs un citi NIB austiņu lietotāji.

NIB aktivizējas, kad apkārtējā trokšņa līmenis pārsniedz aptuveni 80 dB un kad šāds troksnis ilgst aptuveni 1 sekundi.

NIB darbojas arī par 80 dB mazākā troksnī, ja režīmā PTT vai VOX lietotājs nospiež PTT.

NIB aktivizēšana (7. att.)

Ātri divreiz nospiežot PTT, tiek pārslēgti šādi režīmi: NIB PTT IESLĒGTS/NIB IZSLĒGTS/NIB VOX IESLĒGTS.

Režīmā NIB VOX IESLĒGTS un NIB PTT IESLĒGTS nospiežot un turot pogu NIB PTT, tiek nodrošināta saziņa 10 m rādiusā.

NIB VOX IESLĒGTS — šajā režīmā liels trokšņa līmenis aktivizē NIB radio un nodrošina VOX saziņu lietotāju (līdz četriem) starpā. Nospiežot pogu PTT režīmā VOX IESLĒGTS, ir iespējamsazināties arī klusākā vidē.

Ja austiņas tiek lietotas troksnī ar pārtraukumiem, troksnis var vairākkārt aktivizēt NIB VOX. Šādā gadījumā varat izmantot režīmu NIB PTT IESLĒGTS.

NIB PTT IESLĒGTS — lai šajā režīmā aktivizētu pārraidi, ir jānospiež poga PTT.

NIB IZSLĒGTS — šajā režīmā NIB radio ir izslēgts. Režīmā NIB IZSLĒGTS NIB radio nepārraida signālu.

NIB rācಿಸaziņa (8. att.)

Lai veiktu NIB pārraidi, nospiediet un turiet pogu PTT uz kreisā austiņu apvalka.

Pāriešana uz izvēlni (4. att.)

1. Lai piekļūtu izvēlnei, nospiediet un turiet nospiestu pogu [+] un [-]. Atsakan apstiprinājuma balss ziņojums.
2. Lai pārļūkotu izvēlni, ātri nospiediet pogu [-]. Izvēlnes darbības ir norādītas zemāk.
3. Izmantojot pogu [+], var mainīt iestatījumu un piekļūt pieejamajiem iestatījumiem, ja tādi ir. Balss ziņojums apstiprina katru darbību, kam seko pašreizējais iestatījums. Arī izmaiņas tiek apstiprinātas ar balss ziņojumu. Ja vairāku sekunžu ilgumā netiek veiktas nekādas darbības, izvēlne atsāk darbību skaļuma režīmā. Nospiežot [+] un [-] pogu, var uzreiz piekļūt skaļuma iestatījumam, atrodoties jebkurā izvēlnes daļā.

Ambient/Environmental listening mode (Apkārtējo/vides skaņu klausīšanās režīms)

Apkārtējo/vides skaņu klausīšanās režīms ir pieejams klasiskajā režīmā un papildu režīmā. Klasiskajā režīmā var palielināt un samazināt apkārtējo/vides skaņu skaļumu četros līmeņos.

Papildu režīmā ir iekļauti četri iestatījumi, kas pielāgoti dažādām situācijām.

Iestatījums	Paredzētais lietošanas veids
1. papildu režīms (komforts)	Nodrošina komfortu ļoti skaļā vidē.
2. papildu režīms (saruna)	Reālistiska skaņa, kad nepieciešama aizsardzība pret īslaicīgiem trokšņiem.
3. papildu režīms (patrulēšana)	Nodrošina uzlabotu dzirdamību mēreni trokšņainā vidē.
4. papildu režīms (pārraudzība)	Nodrošina uzlabotu dzirdamību klusā vidē.

Battery (Baterija/akumulators)

Austiņām var izmantot sārmu baterijas vai uzlādējamu akumulatoru.

Wireless input (Bezvadu ievade)

1. Sagatavojiet kakla saiti, ievērojot izstrādājuma 3M™ PELTOR™ TEP-LOOP-[®] lietošanas instrukcijā sniegtos norādījumus.
2. Pārejiet uz austiņu izvēlni un pielāgojiet bezvadu ievadi un jutību atbilstoši pievienotajai kakla saitei. Izvēlieties opciju Off (Izslēgts)/Low (Zems)/Medium (Vidējs)/High (Augsts).
3. Ja nepieciešams, pielāgojiet ārējā radio skaļumu.

PIEZĪME. Skaļums var būt atšķirīgs atkarībā no attāluma starp austiņām un kakla saiti.

Wired input (Levade ar vadu starpniecību)

Pielāgojiet ievadi ar vadu starpniecību un jutību atbilstoši pievienotajai MI ierīcei. Izvēlieties opciju Low (Zems)/High (Augsts).

Balance (Balanss)

Ar balansu iestatījumu regulē skaļuma balansu starp labo un kreiso ausi. Ir pieejami septiņi līmeņa iestatījumi: Center (Centrs), Left 1 (Pa kreisi, nr. 1), Left 2 (Pa kreisi, nr. 2), Max left (Maksimāli pa kreisi), Max right (Maksimāli pa labi), Right 2 (Pa labi, nr. 2), Right 1 (Pa labi, nr. 1).

Warning signal (Brīdinājuma signāli)

Ar brīdinājuma signāla iestatījumu iespējo/atspējo brīdinājuma signālu "low battery" (Zems bateriju uzlādes līmenis) un "automatic power off" (Automātiska izslēgšanās). Ja brīdinājuma signāli ir izslēgti, tie netiek atskanoti.

Automatic power off (Automātiska izslēgšanās)

Ar automātiskās izslēgšanās iestatījumu atspējo/iespējo automātiskās izslēgšanās funkciju.

NIB frequency (NIB frekvence)

Ziemeļamerikā, Austrālijā un Jaunzēlandē NIB frekvence ir 915 MHz.

Eiropā NIB frekvence ir 864 MHz.

Izvēlieties NIB frekvenci: 864 MHz (Eiropā) vai 915 MHz (Ziemeļamerikā, Austrālijā vai Jaunzēlandē). Nospiediet [+], lai izvēlētos, un turiet nospiestu [+], lai apstiprinātu izvēli.

PIEZĪME. Pārliecinieties, vai ir izvēlēta reģionam atbilstoša frekvence.

Factory reset (Rūpnīcas iestatījumu atiestatīšana)

Visos izvēlnēs iestatījumos atiestata rūpnīcas noklusējuma vērtības. Šis iestatījums ir jāapstiprina, nospiežot [+], kad atskan balss ziņojums "confirm factory reset" (Apstiprināt rūpnīcas iestatījumu atiestatīšanu).

NIB PROBLĒMU NOVĒRŠANA

Problēma	Iespējamie cēloņi	Ieteiktais risinājums
Pārraides laikā ausiņas pīkst.	Četri NIB kanāli ir aizņemti.	Uzgaidiet, līdz kāds kanāls kļūst pieejams.
Pārraides laikā ausiņas pīkst.	Tuvumā nav citu ausiņu lietotāju.	Pārbaidiet, vai tuvumā tiek izmantotas citas ausiņas.
Nav dzirdamības vai nenotiek saziņa ar apkārtējiem.	Jūs neizmantojat reģionam atbilstošu NIB frekvenci.	Izvēlnē atlasiet atbilstošu NIB frekvenci. Skatiet informāciju par NIB frekvenci.
Nav dzirdamības vai nenotiek saziņa ar apkārtējiem.	NIB funkcija nav aktivizēta.	Ar pogu PTT varat pārslēgt dažādus režīmus. Skatiet informāciju par NIB aktivizēšanu.

TĪRĪŠANA UN APKOPE

Ārējo apvalku, galvas lentes un ausu spilventiņu tīrīšanai izmantojiet siltā ziepjūdenī samitrinātu drāniņu.

PIEZĪME. Nemērciet dzirdes aizsargierīci ūdenī! Ja dzirdes aizsargierīce kļūst slapja lietus vai sviedru dēļ, pagrieziet ausiņas uz āru, izņemiet ausu spilventiņus un putu ieliktnus un pirms salikšanas ļaujiet nožūt. Ausiņu spilventiņi un putu ieliktni laika gaitā var nolietoties, un ir periodiski jāpārbauda, vai tajos nav radušās plaisas un citi bojājumi. Regulāras lietošanas gadījumā 3M iesaka mainīt putu ieliktnus un ausu spilventiņus vismaz divreiz gadā, lai nodrošinātu atbilstošu trokšņu slāpēšanu, higiēnu un ērtības. Ja auss spilventiņš ir bojāts, tas ir jānomaina. Tālāk skatiet nodaļu Rezerves daļas.

AUSTIŅU SPILVENTIŅU NOŅĒMŠANA UN NOMAINA

F:1 Lai noņemtu ausiņu spilventiņu, pabāziet pirkstus zem spilventiņa iekšējās malas un ar stingru un taisnu kustību izvelciet to uz āru.

F:2 Izņemiet esošos ieliktnus un ievietojiet jaunus putu ieliktnus.

F:3 Vienu spilventiņa pusi ievietojiet apvalka rievā un piespiediet otru pusi tā, lai spilventiņš tiktu fiksēts.

MIKROFONA AIZSARGLENTE LIETOŠANA

Lai aizsargātu runas mikrofonu ar izvirdījumu pret mitrumu un neļūrumiem, izmantojiet mikrofona aizsargu HYM1000.

Aizsarga uzstādīšana (G att.)

G:1 Ar šķērēm nogrieziet 100 mm mikrofona aizsarglentes. Noņemiet aizsargpapīru.

G:2 Novietojiet mikrofonu pie lentes gala, kā norādīts attēlā.

G:3 Salokiet aizsarglenti tā, lai mikrofonu tiktu nosegts.

G:4 Cieši piespiediet, lai nostiprinātu aizsarglenti.

G:5 Tagad mikrofons ir gatavs lietošanai.

REZERVES DAĻAS UN PIEDERUMI

3M™ PELTOR™ HY68 SV higiēnas komplekts

Nomaināms higiēnas komplekts. Mainiet to vismaz divreiz gadā, lai nodrošinātu higiēnas prasības, trokšņu slāpēšanu un ērtu lietošanu.

3M™ PELTOR™ HY80-EU gela spilventiņu higiēnas komplekts

3M™ PELTOR™ HY100A vienreizlietojamie aizsargi

Vienreiz lietojamie aizsargi, kurus var viegli pievienot ausiņu spilventiņiem.

3M™ PELTOR™ MT73 ūdensizturīgais mikrofons

Ūdensizturīgs un dinamisks runas mikrofons.

3M™ PELTOR™ M171/2 mikrofona vēja aizsargs

3M™ PELTOR™ HYM1000 mikrofona aizsargs

Pret mitrumu un vēju izturīga lente, kas aizsargā runas mikrofonu.

3M™ PELTOR™ M60/2 vēja aizsargs apkārtējās vides mikrofoniem

3M™ PELTOR™ HY450/1 galvas spilventiņš

Paredzēts salokāmās galvas lentes pielāgošanai mazāka lieluma galvas vajadzībām.

3M™ PELTOR™ LR03NM baterija/akumulators AAA NIMH

GARANTĪJA UN ATBILDĪBAS IEROBEŽOJUMI

GARANTĪJA Ja kāds no 3M personīgās aizsardzības līdzekļiem tiek atzīts par defektīvu materiālu vai izstrādes ziņā, vai citādi neatbilstošu jebkurai tiešai garantijai par piemērotību noteiktam mērķim, 3M vienīgais pienākums un jūsu vienīgais tiesiskās aizsardzības līdzeklis ir saremontēt vai aizvietot attiecīgas daļas vai izstrādājumus vai atmaksāt to iegādes vērtību (pēc uzņēmuma 3M izvēles) pēc laikus iesniegta jūsu paziņojuma par defektu un apliecinājuma, ka izstrādājums ir uzglabāts, apkopts un lietots atbilstoši 3M rakstiskajam norādēm. **IZŅĒMOT GADĪJUMUS, KO AIZLIEDZ LIKUMS, ŠĪ GARANTĪJA IR EKSKLUZĪVA UN AIZSTĀJ JEBKURU TIEŠU VAI NETIEŠU GARANTĪJU PAR PIEMĒROTĪBU TIRGUM, NOTEIKTAM MĒRĶIM VAI CITA VEIDA KVALITĀTES GARANTĪJU, KĀ ARĪ GARANTĪJU SAISTĪBĀ AR IZPLATĪŠANAS, MUITAS VAI**

TIRDZNICĪBAS DARĪJUMIEM, IZŅEMOT ĪPAŠUMTIESĪBU UN PATENTU PĀRKĀPUMUS. Šīs garantijas nosacījumi neparedz 3M atbildību par jebkuru izstrādājumu, kam radušies defekti nepareizas vai nepiemērotas uzglabāšanas, pārvadāšanas, apkopes vai izstrādājuma lietošanas norādījumu neievērošanas dēļ; vai par izstrādājuma pārveidošanu vai bojājumiem, kas radušies negadījumu, nolaidības vai nepareizas lietošanas dēļ.

ATBILDĪBAS IEROBEŽOJUMS. IZŅEMOT GADĪJUMUS, KO AIZLIEDZ LIKUMS, 3M NEKĀDĀ GADĪJUMĀ NEUZŅEMAS ATBILDĪBU PAR JEBKĀDIEM TIEŠIEM, NETIEŠIEM, TĪŠIEM, NEJAUŠIEM VAI IZRIETOŠIEM ZAUDĒJUMIEM VAI KAITĒJUMIEM (TOSTARP NEGŪTO PEĻŅU), KAS RADUŠIES ŠĪ IZSTRĀDĀJUMA DĒĻ, NESKATOTIES UZ JURIDISKO PAMATOJUMU. ŠEIT MINĒTIE ATLĪDZINĀŠANAS GADĪJUMI IR EKSKLUZĪVI.

NEKĀDU PĀRVEIDOJUMU! Šo ierīci nedrīkst pārveidot bez rakstiskas uzņēmuma 3M atļaujas. Nepilnvarotu pārveidojumu gadījumā var tikt anulēta garantija un lietotāja pilnvaras ierīci izmantot.

PIEZĪME.

- Neizmantojiet jaunas un lietotas baterijas vienlaikus.
- Neizmantojiet sārmu un standarta baterijas un/vai uzlādējamās baterijas vienlaikus.
- Ievērojiet vietējos noteikumus par cieta atkritumu likvidēšanu, lai pareizi likvidētu baterijas/akumulatorus.
- Izmantojiet tikai AAA tipa neuzlādējamās baterijas vai NiMH uzlādējamās akumulatorus (ja piemērojams).

3M™ PELTOR™ ComTac™ VI NIB Headset MT20H682***N**

INLEIDING

Onze dank en gefeliciteerd met uw keuze voor de communicatiesystemen van 3M™ PELTOR™! Welkom bij de nieuwste generatie beschermende communicatie.

GEBRUIKSDOELEINDEN

Deze 3M™ PELTOR™ headsets zijn bedoeld ter bescherming tegen gevaarlijke geluidsniveaus en harde geluiden terwijl u via omgevingsmicrofoons de omgeving kunt waarnemen, naar audio-apparatuur kunt luisteren en face-to-face kunt communiceren met Natural Interaction Behavior (NIB)-technologie bij hoge geluidsniveaus. Verwacht wordt dat alle gebruikers de ingesloten gebruiksinstructies lezen en begrijpen, en met dit apparaat weten om te gaan.

BELANGRIJK

Voordat u dit apparaat in gebruik neemt dient u alle veiligheidsvoorschriften van deze instructies te lezen, u deze eigen te maken en na te leven. Bewaar deze instructies voor toekomstig gebruik. Wenst u nadere informatie of hebt u vragen, neem dan contact op met de klantenservice van 3M. De contactadressen vindt u op de laatste pagina.



WAARSCHUWING!

Deze gehoorbeschermer helpt blootstelling aan schadelijk lawaai en andere harde geluiden te verminderen. Wanneer u uw gehoorbeschermer bij blootstelling aan schadelijk lawaai niet of onzorgvuldig draagt, kan dit leiden tot volledig of ernstig gehoorverlies. Hebt u vragen over correct gebruik, raadpleeg dan uw supervisor, deze gebruiksaanwijzing of de klantenservice van 3M. Mocht uw gehoor dof klinken, mocht u rinkel- of zoemgeluiden horen tijdens of na blootstelling aan harde geluiden zoals geweerschoten, verlaat het gebied dan onmiddellijk en raadpleeg een arts en/of uw supervisor.

Wanneer u deze instructies niet in acht neemt, kan dit leiden tot ernstig of dodelijk persoonlijk letsel:

- Als u naar muziek of andere audio-communicatie luistert, kan uw alertheid en uw vermogen om waarschuwingssignalen waar te nemen afnemen. Om alert te blijven is het raadzaam het volume van uw radio op het laagst mogelijke niveau te zetten. Waarschuwingssignalen kunnen op specifieke werkplekken minder hoorbaar zijn wanneer u de amusementstoepassing gebruikt.
- Om risico's in verband met het ontsteken van een explosie te voorkomen, mag u dit product niet gebruiken in een potentieel explosieve atmosfeer.

Wanneer u deze instructies niet in acht neemt, kan de bescherming van deze gehoorbeschermer afnemen en kan dit leiden tot gehoorverlies.

- Het is uitgewezen dat naar gelang de pasvorm, de ervaring en de motivatie van de gebruiker, mogelijk minder ruisonderdrukking wordt verkregen dan aangegeven op de verpakking. Zie aan de hand van uw toepasselijke richtlijnen in hoeverre de labelwaarden moeten worden aangepast en hoe u de ruisonderdrukking kunt inschatten.

Hiernaast raadt 3M ten zeerste aan om de pasvorm van uw gehoorbeschermer te testen.

- Zorg ervoor dat u de juiste gehoorbeschermer kiest, dat de pasvorm correct is en dat het apparaat degelijk is onderhouden. Wanneer u dit apparaat verkeerd opzet, neemt de ruisonderdrukking af. Raadpleeg de ingesloten instructies in verband met de correcte pasvorm.
- Controleer uw gehoorbeschermer vóór elk gebruik. Als deze beschadigd is, kies dan een onbeschadigde gehoorbeschermer of ga niet in een lawaaierige omgeving staan.
- Wanneer u behoefte hebt aan extra persoonlijke beschermingsmiddelen (veiligheidsbril, ademhalingsmasker enz.), kies dan voor flexibele, platte zijbeugels of banden om het contact met de oorkussens tot een minimum te beperken. Verwijder alles wat de afdichting van de oorkussens in de weg kan staan en de bescherming van het gehoor kan bedreigen (uw haar, een muts, sieraden, koptelefoons, een hygiënehoes, enz.).
- Verbuig of vervorm de hoofdband of nekband niet, en zorg ervoor dat de kappen voldoende druk uitoefenen om op hun plaats te blijven zitten.
- De kappen, en de kussens in het bijzonder, kunnen bij gebruik in kwaliteit afnemen. Controleer regelmatig of deze geen haarscheuren vertonen en of er geen lekkage optreedt. Om een consistente bescherming, hygiëne en draagcomfort te garanderen dient u bij regelmatig gebruik de oorkussens en schuim-liners ten minste tweemaal per jaar te vervangen.
- De geluidswaargave van het elektrische audiocircuit van deze gehoorbeschermer kan de maximale dagelijkse geluidsdosis overschrijden. Stel het audiovolume af op het laagst mogelijke niveau.
- Wanneer u deze gebruiksvorschriften niet navolgt, wordt de gehoorbescherming van deze gehoorbeschermer aanzienlijk verzwakt.

EN 352 veiligheidsbepalingen:

- De geluidswaargave van het niveau-afhankelijke circuit van deze gehoorbeschermer kan het externe geluidsniveau overschrijden.
- Bij gebruik van hygiënehoezen kunnen de akoestische eigenschappen van de gehoorbeschermer afnemen.
- De akoestische eigenschappen kunnen achteruitgaan naarmate de batterijen ontladen raken. De accu van de gehoorbeschermer heeft bij continu gebruik een verwachte levensduur van ca.:
 - LDF en NIB: 30 uur
 - LDF: 50 uur
- Dit product kan door bepaalde chemische stoffen worden aangetast. Aanvullende informatie kunt u bij de fabrikant opvragen.
- Dit is een gehoorbeschermer van klein formaat. De gehoorbeschermers die beantwoorden aan EN 352-1 zijn van "middelgroot" resp. "klein" of "groot formaat". Gehoorbeschermers van middelgroot formaat passen de meerderheid van de gebruikers. De gehoorbeschermers van "klein" of "groot formaat" zijn bedoeld voor gebruikers voor wie de gehoorbeschermers van "middelgroot formaat" niet geschikt zijn.
- Het product is niet geschikt voor continu laagfrequent ruis.

LET OP:

- Explosiegevaar als de batterijen worden vervangen met een onjuiste type.
- Maak altijd gebruik van productspecifieke 3M-reserveonderdelen. Het gebruik van niet-geautoriseerde reserveonderdelen kan de bescherming die u van dit product krijgt verminderen.

**NB**

- Wanneer u deze gehoorbeschermer volgens deze gebruiksaanwijzingen gebruikt, reduceert deze de blootstelling aan zowel continu ruis, zoals industriële geluiden en geluid van auto's en vliegtuigen, als luide impulsgeluiden, zoals geweerschoten. Het is moeilijk de vereiste en/of daadwerkelijke bescherming bij blootstelling aan impulsgeluiden in te schatten. Geweerschoten, het type wapen, het aantal salvo's, de productkeuze de pasvorm, het onderhoud van de gehoorbeschermer, alsmede andere variabelen, dit alles heeft invloed op de effectiviteit van de gehoorbescherming. Wilt u meer weten over gehoorbescherming tegen impulsgeluiden, ga dan naar www.3M.com/hearing.
- Deze gehoorbeschermer is voorzien van niveau-afhankelijke geluiddemping. Vóór gebruik dient u na te gaan of deze functie naar behoren werkt. Mocht u geluidsvorming waarnemen of storingen vaststellen, volg dan de voorschriften van de fabrikant met betrekking tot onderhoud en het vervangen van de batterijen.
- Deze gehoorbeschermer is voorzien van een elektrische audio-ingang. Vóór gebruik dient u na te gaan of deze functie naar behoren werkt. Mocht u vervorming horen of storingen vaststellen, raadpleeg dan de fabrikant.
- Gebruikstemperatuur: Tussen -20 °C (-4 °F) en 55 °C (131 °F).
- Opslagtemperatuur: Tussen -20 °C (-4 °F) en 55 °C (131 °F).
- Gewicht gehoorbeschermer: MT20H682FB-**N** = 340 g, MT20H682BB-**N** = 313 g, MT20H682FB-**N** (HY80) = 379 g.
- Levensduur: 5 jaar, exclusief batterijen.

CERTIFICATIE

3M Svenska AB verklaart hierbij dat de radio-communicatie in overeenstemming is met richtlijn 2014/53/EU en andere desbetreffende richtlijnen met betrekking tot de vereisten voor CE-markering. 3M Svenska AB verklaart ook dat deze headset van het type PBM in overeenstemming is met verordening (EU) 2016/425 of met de communautaire richtlijn 89/686/EEG.

De toepasselijke wetgeving kunt u vinden op www.3M.com/peltor/doc, onder Declaration of Conformity (DoC, Conformiteitsverklaring). De DoC (conformiteitsverklaring) laat tevens zien of ook andere type-certificaties van toepassing zijn. Zoek uw productnummer op voordat u uw conformiteitsverklaring ophaalt. Het productnummer van uw gehoorbeschermer is te vinden aan de onderzijde van een van de kappen. Zie onderstaande afbeelding.

Deze PBM wordt (voor zover het betreft producten van categorie III) jaarlijks getest en gecertificeerd door het Finse Instituut voor arbeidsgezondheid (Finnish Institute of Occupational Health), aangemelde instantie nr. 0403, Topeliuksenkatu 41 b, FI-00250 Helsinki, Finland. Dit product is getest en gecertificeerd volgens EN 352-1:2002, EN 352-4:2001/A1:2005, EN 352-6:2002.

Een kopie van de conformiteitsverklaring en aanvullende informatie die door de richtlijnen worden vereist, kan ook bij 3M in het land van aankoop worden opgevraagd. Voor contactinformatie, zie de laatste pagina's van deze gebruiksaanwijzing.



Dit product bevat elektrische en elektronische componenten en mag derhalve niet via de normale afvalinzameling worden afgevoerd. Raadpleeg de lokale richtlijnen met betrekking tot het afhandelen van elektronische apparatuur.

LABORATORIUMDEMPING

De dempingswaarde (SNR) is verkregen op een apparaat in uitgeschakelde stand. Toelichting bij de dempingstabellen:

Europese norm EN 352

Het is uitgewezen dat naar gelang de pasvorm, de ervaring en de motivatie van de gebruiker, mogelijk minder ruisonderdrukking wordt verkregen dan aangegeven op de verpakking. Zie aan de hand van uw toepasselijke richtlijnen in hoeverre de labelwaarden moeten worden aangepast en hoe u de ruisonderdrukking kunt inschatten. Hiernaast raadt 3M ten zeerste aan om de pasvorm van uw gehoorbeschermer te testen.

A:1 Frequentie (Hz)

A:2 Gemiddelde demping (dB)

A:3 Standaard deviatie (dB)

A:4 Aangenomen dempingswaarden, APV (dB)

A:5

H = geschatte gehoorbescherming hoogfrequente geluiden ($f \geq 2000\text{ Hz}$).

M = geschatte gehoorbescherming middelfrequente geluiden ($500\text{ Hz} < f < 2000\text{ Hz}$).

L = geschatte gehoorbescherming laagfrequente geluiden ($f \geq 500\text{ Hz}$).

A:6 Criteriumniveaus

H = criteriumniveau hoogfrequent ruis

M = criteriumniveau middelfrequent ruis

L = criteriumniveau laagfrequent ruis

A:7 Europese norm EN 352-6 Ingangsniveaus externe audio

A:8 Niveau ingangssignaal U (mV, RMS)

A:9 Gemiddelde geluidsdruk (dB(A))

A:10 Standaard deviatie geluidsdruk (dB)

A:11 Sterkte van het ingangssignaal waarbij de gemiddelde-plus-één standaard deviatie gelijk is aan 82 dB(A)

B: Australië/Nieuw-Zeeland norm AS/NZS 1270:2002

B:1 Test-frequenties

B:2 Gemiddelde demping

B:3 Standaard deviatie

B:4 Gemiddelde minus SD

COMPONENTEN

C:1 Opvouwbare hoofdband

C:2 Ophangbeugel van de kap

C:3 Tweepuntsbevestiging

C:4 Kap

C:5 Klep batterijenvak

C:6 Microfoon van het omgevingsgeluid

C:7 Dempkussen

C:8 Oorkussen

C:9 Externe ingangskabel (uitsluitend specifieke modellen)

C:10 Spraakmicrofoon (uitsluitend specifieke modellen)

C:11 Nekband

C:12 Ingang spraakmicrofoon (J22) (uitsluitend specifieke modellen)

C:13 [-]-toets op toetsenset

C:14 [+] -toets op toetsenset

C:15 NIB PTT

MONTAGE-INSTRUCTIES

Hoofdband

D:1 Schuif de kappen uit elkaar; licht het bovenste gedeelte van de headset op zodat de kabel aan de buitenkant van de hoofdband komt te hangen.

D:2 Zet de kappen op de gewenste hoogte door deze omhoog of omlaag te schuiven terwijl u de hoofdband vasthoudt.

D:3 De hoofdband dient verticaal op uw hoofd te zitten zoals getoond op de afbeelding en moet het gewicht van de headset dragen.

Nekband

D:4 Plaats de kappen over de oren.

D:5 Plaats terwijl u de kappen vasthoudt de hoofdband op uw hoofd en vergrendel deze.

D:6 De hoofdband dient verticaal op uw hoofd te zitten.

E:1-E:2 Spraakmicrofoon plaatsen

Om de prestaties van de spraakmicrofoon in een luidruchtige omgeving te optimaliseren, plaatst u de microfoon zo dicht mogelijk tegen uw mond (minder dan 3 mm).

NB: Bij toepassing op grote hoogtes/in de luchtvaart kan de luchtdruk in de omgeving snel teruglopen, wat gevolgen kan hebben voor de gevoeligheid van de microfoon, bijvoorbeeld tijdens het opstijgen van een helikopter. Als dit zich voordoet, plaatst u de microfoon dichter bij uw mond en/of spreekt u luider om de druk op het microfoonmembraan te verhogen.

GEBRUIKSINSTRUCTIES

Batterijen vervangen (Afb. 1)

- 1-2. Maak het batterijenvak open en vervang de batterijen (2xAAA).
3. De polariteit van de batterijen dient overeen te komen met de markering aan de binnenkant van het batterijenvak.
4. Druk de klep helemaal in om een degelijke afdichting te garanderen. Wanneer de batterijen aan vervanging toe zijn, hoort u herhaaldelijk het spraakbericht "low battery" (lage batterijspanning).

De headset in- en uitschakelen (Afb. 2)

Om de headset in of uit te schakelen houdt u [+] of [-] 2 seconden ingedrukt. Dit wordt bevestigd met een spraakbericht. Bij het uitschakelen wordt steeds de huidige instelling opgeslagen.

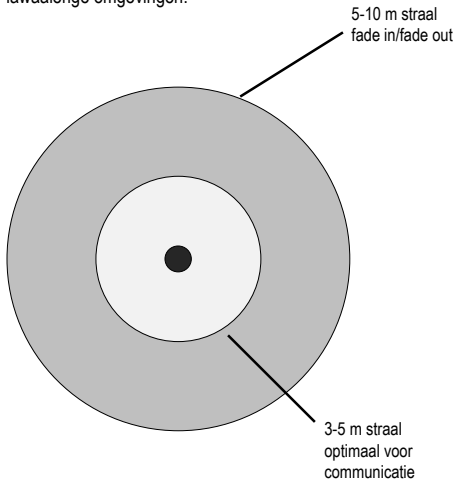
Na twee uur inactiviteit wordt de headset automatisch uitgeschakeld. Dit wordt een minuut lang aangegeven door een spraakbericht, waarna de headset wordt uitgeschakeld. Druk op [+] of [-] om de timeout-periode van twee uur te resetten.

Volume instellen (Afb. 3)

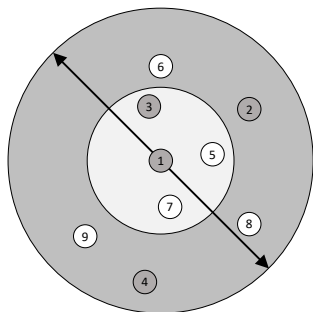
Druk op [+] of [-] om het volume van het omgevingsgeluid in te stellen. Er zijn vier standen en u hebt ook de mogelijkheid om het omgevingsgeluid uit te schakelen. De max. instellingen worden met een piepton bevestigd. Omgevingsgeluid uitgeschakeld wordt bevestigd door een spraakmelding.

Face-to-face communicatie via NIB-technologie

NIB maakt face-to-face communicatie mogelijk binnen lawaaiërië omgevingen.



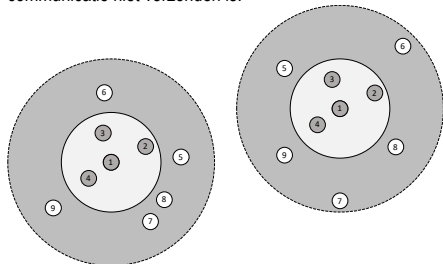
De NIB-technologie maakt draadloze communicatie mogelijk binnen een straal van 10 m. Full duplex communicatie voor max. vier personen binnen deze straal.



In lawaaierige omgeving gaat u dicht bij de persoon staan met wie u wilt praten. De NIB-technologie werkt met fade-in en fade-out (straal 5-10 m) en maakt communicatie met mensen in de buurt mogelijk. Blijf in een straal van 3-5 m voor een optimaal communicatiesignaal.

Als de vier, full duplex zendkanalen bezet zijn (1-4), kunnen andere gebruikers nog wel meeluisteren maar niets verzenden (5-9). De uiterste limiet van luisteraars beperkt zich tot het aantal mensen dat zich binnen de straal van 10 m bevindt, en heeft niet zo zeer te maken met de mogelijkheden die de technologie biedt.

NB: Als er meer dan vier gebruikers via NIB proberen te zenden, horen de vijfde en volgende gebruikers die willen zenden pieptonen om aan te geven dat de uitgaande communicatie niet verzonden is.



Van welke NIB-groep u deel uitmaakt hangt van waar u en de andere NIB-headset zich bevinden.

NIB treedt in werking als het omgevingsgeluid boven de 80 dB uitkomt en het lawaai ca. 1 seconde duurt.

NIB werkt ook onder de 80 dB als de gebruiker PTT indrukt in de PTT-modus of VOX-modus.

NIB activeren (Afb. 7)

Door het snel twee keer indrukken van PTT schakelt u tussen NIB PTT ON/NIB OFF/NIB VOX ON.

Het indrukken en vasthouden van de NIB PTT-toets kunt u communiceren binnen de straal van 10 m in de NIB VOX ON-modus en NIB PTT ON-modus.

NIB VOX ON - In deze modus, activeren hoge geluidsniveaus de NIB-radio waarmee VOX-communicatie voor max. vier gebruikers mogelijk is. Door het indrukken van de PTT-toets in de VOX ON-modus is communicatie in stille omgevingen ook mogelijk.

Als de headset wordt gebruikt in een omgeving met wisselende geluidsniveaus, kan lawaai NIB VOX meerdere keren activeren. Maak in dit soort gevallen gebruik van NIB PTT ON.

NIB PTT ON - In deze modus moet de PTT-toets worden ingedrukt om te zenden.

NIB OFF - De modus SCHAKELT de NIB-radio uit. In de NIB OFF-modus wordt er geen RF-signaal verzonden door de NIB-radio.

Push-to-talk voor NIB (Afb. 8)

Houd de PTT-toets op de linkerkap ingedrukt om te zenden via NIB.

Menu openen (Afb. 4)

1. Om het menu te openen, houdt u de [+] en [-]-toets ingedrukt. Dit wordt bevestigd met een spraakbericht.
2. Druk de [-]-toets kort in om snel door het menu te bladeren. Hieronder vindt u de lijst van stappen door het menu.
3. Gebruik de [+] -toets om de instelling te wijzigen en, indien beschikbaar, door de beschikbare instellingen te stappen. Elke menustap wordt door een spraakbericht bevestigd, gevolgd door de huidige instelling. Ook de wijzigingen worden door een spraakbericht bevestigd. Wanneer tien seconden niets is gewijzigd, keert het menu terug naar de volume-stand. U kunt de volume-instelling in elke fase van het menu rechtstreeks bereiken door op [+] en [-] te drukken.

Ambient/Environmental listening mode (Omgevingsgeluid-modus)

De omgevingsgeluid-modus is beschikbaar in de klassieke modus en de geavanceerde modus. In de klassieke modus kunt u het geluid in vier stappen instellen door het geluidsniveau van het omgevingsgeluid te verhogen of te verlagen. De geavanceerde modus omvat vier presets die zijn geoptimaliseerd voor verschillende geluidsprofielen.

Instelling	Gebruiksdoelenden
Advanced mode 1 (Comfort)	Voor comfort in een zeer lawaaierige omgeving.
Advanced mode 2 (Conversatie)	Voor een natuurlijke audio-ervaring waarbij bescherming tegen onverwachte geluiden noodzakelijk is.
Advanced mode 3 (Patrouilleren)	Voor een hoog alertheidsniveau bij lopen in een omgeving met een laag geluidsniveau.
Advanced mode 4 (Overwatch)	Voor een krachtig alertheidsniveau in een rustige omgeving.

Battery (Batterij)

Kies het type batterij dat u gebruikt in uw headset, alkaline of oplaadbaar.

Wireless input (Draadloze invoer)

1. Volg de gebruiksaanwijzing van de 3M™ PELTOR™ TEP-LOOP-® om de nekbus in te stellen.
2. Open het headset-menu om de draadloze invoer en de gevoeligheid in te stellen op basis van de aangesloten nekbus. Kies Off/Low/Medium/High (Uit/Laag/Medium/Hoog).
3. Pas indien nodig het volume van de externe radio aan.

NB: Het volume kan variëren afhankelijk van de afstand tussen de headset en de nekbus.

Wired input (Bedrade invoer)

Stel de wired input en gevoeligheid in die overeenkomen met het bedrade apparaat. Kies Low/High (Laag/Hoog).

Balance (Balans)

Met de balansinstelling regelt u de balans van het volume tussen het rechter- en linkeroor. Deze instelling heeft zeven standen: Center, Left 1, Left 2, Max left, Max right, Right 2, Right 1 (Midden, Links 1, Links 2, Max. links, Max. rechts, Rechts 2, Rechts 1).

Warning signals (Waarschuwingssignalen)

De instelling van het waarschuwingssignaal schakelt de waarschuwingssignalen "low battery" (batterijen ontladen) en "automatic power off" (automatische uitschakeling) uit/in. In uitgeschakelde stand zijn geen van deze waarschuwingssignalen hoorbaar.

Automatic power off (Automatisch uitschakelen)

Met de automatische uitschakelfunctie wordt de automatische uitschakelfunctie uit- of ingeschakeld.

NIB frequency (NIB-frequentie)

Voor Noord-Amerika, Australië en Nieuw-Zeeland is de NIB-frequentie 915 MHz.

Voor Europa is de NIB-frequentie 864 MHz.

Kies de NIB-frequentie, 864 MHz (EU) of 915 MHz (NA, ANZ). Druk op [+] om selecteren en houd [+] ingedrukt om uw keuze te bevestigen.

NB: Controleer of u de juiste frequentie gebruikt voor de regio waarin u zich bevindt.

Factory reset (Fabrieksinstellingen)

Alle menu-instellingen worden teruggezet naar de fabrieksinstellingen. U dient deze instelling te bevestigen door op [+] te drukken wanneer u het spraakbericht krijgt: "confirm factory reset" (fabrieksinstellingen bevestigen).

PROBLEEMOPLOSSING VOOR NIB

Probleem	Mogelijke oorzaken	Suggestie
De headset piept bij het zenden.	NIB-kanaal in gebruik door vier personen.	Wacht op een beschikbare plek.

Probleem	Mogelijke oorzaken	Suggestie
De headset piept bij het zenden.	Er bevindt zich geen andere headset in buurt.	Controleer of er in de buurt een andere headset in gebruik is.
Kan anderen niet horen of ermee communiceren.	U gebruikt niet de juiste NIB-frequentie voor de regio waarin u zich bevindt.	Kies de juiste NIB-frequentie in het menu. Zie NIB-frequentie.
Kan anderen niet horen of ermee communiceren.	NIB is niet geactiveerd.	Doorloop de verschillende modi met de PTT-toets. Zie NIB activeren.

REINIGING EN ONDERHOUD

Reinig de buitenkant van de kappen, de hoofdband en de kussens met een doek bevochtigd met zeep en warm water. **NB:** De gehoorbeschermer NIET in water dompelen! Mocht de gehoorbeschermer vochtig worden vanwege regen of zweet, keer de oorkappen dan naar buiten, verwijder de kussens en de schuim-liners en laat deze drogen voordat u ze hermonteert. De oorkussens en schuim-liners kunnen bij gebruik achteruitgaan. Onderzoek deze regelmatig op haarscheuren en andere beschadigingen. Bij regelmatig gebruik raadt 3M aan de schuim-liners en oorkussens ten minste tweemaal per jaar te vervangen om een consistente demping, hygiëne en draagcomfort te garanderen. Beschadigde oorkussens moeten worden vervangen. Zie de onderdelenlijst hieronder.

OORKUSSENS VERWIJDEREN EN VERVANGEN

- F:1 Om het oorkussen te verwijderen, steekt u uw vingers onder de rand van het kussen en rukt u het er recht uit.
- F:2 Verwijder bestaande schuim-liner(s) en breng nieuwe schuim-liner(s) aan.
- F:3 Vervolgens schuift u een zijde van het kussen in de groef van de kap en druk u op de andere zijde tot het kussen op zijn plek klikt.

MICROFOONBESCHERMERTAPE AANBRENGEN

Om de spraakmicrofoon te beschermen tegen vocht en vuil maakt u gebruik van microfoonbeschermertape HYM1000.

Beschermertape aanbrengen (Afb. G):

- G:1 Knip 100 mm microfoonbeschermertape af. Verwijder de papieren strip.
- G:2 Plaats de microfoon in de tape zoals aangegeven op de afbeelding.
- G:3 Vouw de tape eromheen en zorg ervoor dat de microfoon wordt bedekt.
- G:4 Druk stevig aan om de beschermertape af te dichten.
- G:5 De microfoon is nu klaar voor gebruik.

ONDERDELEN EN ACCESSOIRES

3M™ PELTOR™ HY68 SV Hygiëneset

Vervangbare hygiëneset. Om een constante demping, hygiëne en comfort veilig te stellen dient u deze minimaal tweemaal per jaar te vervangen.

3M™ PELTOR™ HY80-EU Hygiëneset met gelkussens

3M™ PELTOR™ HY100A Eenmalige beschermhoezen voor oorkussens

Beschermers voor eenmalig gebruik die moeiteloos over de oorkussens wordt aangebracht.

3M™ PELTOR™ MT73 Waterdichte microfoon

Waterdichte spraakmicrofoon.

3M™ PELTOR™ M171/2 Windkao voor microfoon

3M™ PELTOR™ HYM1000 Microfoonbescherming

Vocht- en winddichte tape ter bescherming van de spraakmicrofoon.

3M™ PELTOR™ M60/2 Windbeschermers voor

omgevingsmicrofoons

3M™ PELTOR™ HY450/1 Hoofdband-opvulstuk

Voor opvouwbare headset, te gebruiken voor kleine hoofdbanden.

3M™ PELTOR™ LR03NM Batterij AAA NiMH

VOOR DIRECTE, INDIRECTE, SPECIALE, INCIDENTELE OF GEVOLGSCHADE OF SCHADE (INCLUSIEF WINSTDERVING) TE WIJTEN AAN DIT PRODUCT, ONGEACHT ENIGE INGEROEPEN JURIDISCHE THEORIE. DE HIERIN BESCHREVEN REMEDIES ZIJN EXCLUSIEF.

GEEN AANPASSINGEN: Er mogen aan dit apparaat geen wijzigingen worden aangebracht zonder de schriftelijke toestemming van 3M Company. Ongeautoriseerde wijzigingen kunnen de garantie en de bevoegdheid van de gebruiker om het apparaat te gebruiken ongeldig maken.

NB:

- Oude en nieuwe batterijen niet combineren.
- Alkaline-, standaard- en oplaadbare batterijen mag u niet met elkaar combineren.
- Voor het correct afdanken van de batterijen volgt u de lokale afvalvoorschriften.
- Gebruik uitsluitend AAA niet-oplaadbare of NiMH oplaadbare (voor zover van toepassing) batterijen.

GARANTIE EN AANSPRAKELIJKHEIDSBEPERKING

GARANTIE: In het geval dat een veiligheidsproduct van 3M Personal Safety Division materiaal- of fabricagefouten vertoont, of niet in overeenstemming blijkt te zijn met enige uitdrukkelijke garantie voor een specifiek doel, is de enige verplichting van 3M en uw uitsluitend recht, dat 3M naar eigen keuze de reparatie, vervanging of restitutie van de aankoopprijs van het gebrekkige onderdeel of product verzorgt, mits het probleem tijdig wordt gemeld en het bewijs wordt geleverd dat het product is opgeslagen, onderhouden en gebruikt in overeenstemming met de schriftelijke instructies van 3M. TENZIJ BIJ WET VERBODEN, IS DEZE GARANTIE EXCLUSIEF EN VERVANGT DEZE ENIGE EXPLICIETE OF IMPLICIETE GARANTIE MET BETREKKING TOT VERKOOPBAARHEID, GESCHIKTHEID VOOR EEN BEPAALD DOEL, ENIGE ANDERE KWALITEITSGARANTIE OF ENIGE GARANTIE DIE VOORTVLOEIT UIT EEN TRANSACTIE, GEBRUIKELIJKHEID OF HANDEL, MET UITZONDERING VAN INBREUK OP NAAMEIGENDOM OF OCTROOI. 3M heeft in verband met deze garantie geen verplichting ten opzichte van enig product dat gebreken vertoont als gevolg van ontoereikende of foutieve opslag, gebruik of onderhoud; als gevolg van het niet naleven van de handleiding van het product; of als gevolg van wijzigingen of schade aan het product te wijten aan een ongeluk, verwaarlozing of verkeerd gebruik.

AANSPRAKELIJKHEIDSBEPERKING: TENZIJ VERBODEN BIJ WET IS 3M IN GEEN GEVAL AANSPRAKELIJK

3M™ PELTOR™ ComTac™ VI NIB Headset MT20H682***N**

INNLEDNING

Gratulerer og takk for at du velger 3M™ PELTOR™ kommunikasjonsløsninger! Velkommen til neste generasjon av hørselvern for kommunikasjon!

TENKT BRUK

Målet med disse 3M™ PELTOR™ headsetene er å gi beskyttelse mot skadelige støynivåer og høye lyder samtidig som brukeren kan høre omgivelsene via omgivelsesmikrofonene og lytte til tilkoblede kommunikasjonsheter og kommunisere ansikt-til-ansikt med teknologi for naturlig interaksjonsatferd (NIB) ved høye nivåer av stasjonær støy. Det forventes at alle brukere leser og forstår den medfølgende bruksanvisningen samt at de er kjent med bruken av dette produktet.

VIKTIG

Vennligst les, forstå og følg all sikkerhetsinformasjon i denne bruksanvisningen før du bruker produktet. Ta vare på bruksanvisningen for fremtidig referanse. For ytterligere informasjon eller eventuelle spørsmål, kontakt 3Ms tekniske service (kontaktinformasjon finnes på den siste siden).



ADVARSEL

Dette hørselvernet bidrar til å redusere eksponering for skadelig støy og andre høye lyder. Feil bruk eller hvis du unnlater å bruke hørselvernet til enhver tid når du er eksponert for farlig støy, kan føre til tap av hørsel eller hørselsskader. For korrekt bruk, kontakt arbeidslederen, se bruksanvisningen eller ring 3Ms tekniske service. Hvis hørselen din virker redusert eller du hører en ringing eller summing under eller etter eksponering for støy (inkludert skuddstøy), eller hvis du av andre grunner mistenker at du har problemer med hørselen, forlat støyområdet umiddelbart og oppsøk lege og/eller snakk med arbeidslederen din.

Dersom man unnlater å følge disse instruksjonene, kan det føre til alvorlig skade eller dødsfall:

- Lytting til musikk eller annen audiokommunikasjon kan redusere din bevissthet om situasjonen og evne til å høre varselsignaler. Hold deg våken og juster lydvolume til laveste akseptable nivå. På visse arbeidsplasser kan det være vanskeligere å høre varselsignaler når man bruker underholdningsfunksjonen.
- For å redusere faren for å antenne en eksplosjon må dette produktet ikke brukes i en potensiell eksplosiv atmosfære.

Dersom man unnlater å følge disse instruksjonene, kan det redusere den beskyttelsen som hørselvernet gir og det kan føre til tap av hørsel:

- Forskning antyder at mange brukere vil oppnå mindre støyreduksjon enn den eller de dempningsverdiene som er angitt på pakken på grunn av variasjon og ferdighet i tilpasning samt brukerens motivasjon. Se gjeldende forordninger for veiledning om hvordan du justerer de angitte verdiene og anslår dempningen. Dessuten anbefaler 3M sterkt at man tester tilpasningen av hørselvernet.

- Sørg for at det velges riktig hørselvern, og at det tilpasses, justeres og vedlikeholdes som påkrevd. Feil tilpasning av hørselvernet vil gjøre det mindre effektivt når det gjelder å dempe støy. Se de vedlagte instruksjonene for riktig tilpasning.
- Inspiser hørselvernet nøye før hver gang det brukes. Hvis det er skadet, velg et uskadet hørselvern i stedet eller unngå støyende miljøer.
- Når det er påkrevd å bruke annet personlig verneutstyr (f.eks. vernebriller, pustemasker osv.), velg fleksible brillestenger eller remmer med lav profil for å minimere innvirkningen på hørselvernets puter. Skyv bort hår og ta av andre unødvendige ting (f.eks. lue, smykker, hodetelefoner, hygienetrekk osv.) som kan påvirke tetningen til hørselvernutputen og redusere hørselvernets beskyttelse.
- Unngå å bøye eller omforme hode- eller nakkebeøylen, og kontroller at den har tilstrekkelig kraft til å holde hørselvernet godt på plass.
- Hørselvern, og spesielt øreputene, kan bli svekket ved bruk og bør undersøkes med hyppige mellomrom med tanke på f.eks. sprekker og lydekkasjer. Ved jevnlig bruk, skift ut skumføringene og øreputene minst to ganger i året for å opprettholde god beskyttelse, hygiene og komfort.
- Uteffekten fra den elektriske audiokretsen i dette hørselvernet kan overskride grensen for den daglige lyd eksponeringen. Juster lydvolume til laveste akseptable nivå.
- Hvis kravene ovenfor ikke følges, vil den beskyttelsen som hørselvernet gir, bli betydelig svekket.

EN 352 sikkerhetserklæring:

- Uteffekten fra den nivåavhengige kretsen i hørselvernet kan overskride grensen for det eksterne lydnivået.
- Bruk av hygienetrekk på øreputene kan påvirke hørselvernets akustiske egenskaper.
- Ytelsen kan bli dårligere etter hvert som batteriene brukes. Den typiske perioden med kontinuerlig bruk som kan forventes av hørselvernet, er ca.:
 - LDF og NIB: 30 timer
 - LDF: 50 timer
- Dette produktet kan bli negativt påvirket av enkelte kjemiske stoffer. Ytterligere opplysninger kan fås ved henvendelse til produsenten.
- Dette hørselvernet er av liten størrelse. Hørselvern som er i samsvar med EN 352-1, har middels, liten eller stor størrelse. Hørselvern med middels størrelse vil passe de fleste brukere. Hørselvern med liten eller stor størrelse er designet for å passe brukere som ikke kan bruke middels størrelse.
- Dette produktet er ikke egnet for høy, kontinuerlig lavfrekvent støy.

FORSIKTIG

- Fare for eksplosjon hvis batteriet erstattes med et batteri av feil type.
- Bruk alltid produktspesifikke 3M reservedeler. Bruk av uautoriserte reservedeler kan redusere den beskyttelsen som produktet gir.

MERK

- Når hørselvernet brukes som beskrevet i denne bruksanvisningen, bidrar det til å redusere eksponering for både kontinuerlig støy, f.eks. støy fra industri, kjøretøy og fly, og svært kraftig impulsstøy, f.eks. skuddstøy. Det er vanskelig å forutsi den påkrevde og/eller faktiske beskyttelsen av hørselen som oppnås ved eksponering for impulsstøy. Når det gjelder skuddstøy, vil våpentypen, antall skuddserier, riktig valg, tilpasning og bruk av hørselvernet, riktig vedlikehold av hørselvernet og andre variabler påvirke ytelsen. Hvis du vil vite mer om beskyttelse mot impulsstøy, se www.3M.com/hearing.
- Dette hørselvernet har nivåavhengig demping. Før hørselvernet tas i bruk bør du sjekke at det fungerer som det skal. Hvis du oppdager forstyrrelser eller defekter, bør du lese produsentens råd om vedlikehold og utskifting av batteriet.
- Dette hørselvernet leveres med elektrisk audioinngang. Før hørselvernet tas i bruk bør du sjekke at det fungerer som det skal. Hvis du oppdager forstyrrelser eller defekter, bør du lese produsentens råd.
- Temperaturområde for bruk: $-20\text{ }^{\circ}\text{C}$ ($-4\text{ }^{\circ}\text{F}$) til $55\text{ }^{\circ}\text{C}$ ($131\text{ }^{\circ}\text{F}$)
- Temperaturområde for oppbevaring: $-20\text{ }^{\circ}\text{C}$ ($-4\text{ }^{\circ}\text{F}$) til $55\text{ }^{\circ}\text{C}$ ($131\text{ }^{\circ}\text{F}$)
- Hørselvernets vekt: MT20H682FB-**N** = 340 g, MT20H682BB-**N** = 313 g, MT20H682FB-**N** (HY80) = 379 g.
- Holdbarhet: 5 år, med unntak av batteriene.

GODKJENNINGER

3M Svenska AB erklærer herved at radiokommunikasjonen er i samsvar med direktiv 2014/53/EU og andre aktuelle direktiver slik at kravene til CE-merking er oppfylt. 3M Svenska AB erklærer også at headset av PPE-type er i samsvar med EU-forordning 2016/425 eller EU-direktiv 89/686/EØF.

Gjeldende lovgivning kan fastslås ved å lese samsvarserklæringen (DoC) på www.3M.com/peltor/doc. Samsvarserklæringen inneholder også noen andre typegodkjenninger som er relevante. Når du henter samsvarserklæringen, vennligst finn ditt delenummer. Hørselvernets delenummer finnes nederst på den ene ørekoppen. Du kan se et eksempel på bildet nedenfor.



PPE revideres årlig (hvis det er kategori III-produkter) og typegodkjennes av det finske instituttet for yrkeshelse (Finnish Institute of Occupational Health), bemyndiget organ nr. 0403, Topeliuksenkatu 41 b, FI-00250 Helsingfors, Finland. Produktet er blitt testet og godkjent i samsvar med EN 352-1:2002, EN 352-4:2001/A1:2005, EN 352-6:2002.

Du kan få et eksemplar av samsvarserklæringen og annen påkrevd informasjon i direktivene ved å kontakte 3M i det landet der du kjøpte produktet. For kontaktinformasjon, se de siste sidene i denne bruksanvisningen.



Dette produktet inneholder elektriske og elektroniske komponenter og må ikke kasserer sammen med husholdningsavfall. Vennligst følg lokale regler for kassering av elektrisk og elektronisk utstyr.

DEMPNINGSVERDIER I LABORATORIUM

Støyreduksjonsverdien (SNR) ble beregnet med enheten slått av. Forklaring av dempningsstabellene:

Europeisk standard EN 352

Forskning antyder at mange brukere vil oppnå mindre støyreduksjon enn den eller de dempningsverdiene som er angitt på pakken på grunn av variasjon og ferdighet i tilpasning samt brukerens motivasjon. Se gjeldende forordninger for veiledning om hvordan du justerer de angitte verdiene og anslår dempingen. Dessuten anbefaler 3M sterkt at man tester tilpasningen av hørselvernet.

A:1 Frekvens (Hz)

A:2 Gjennomsnittlig demping (dB)

A:3 Standardavvik (dB)

A:4 Antatt beskyttelsesverdi (dB)

A:5

H = Anslått hørselbeskyttelse for lyder med høy frekvens ($f \geq 2000\text{ Hz}$).

M = Anslått hørselbeskyttelse for lyder med middels høy frekvens ($500\text{ Hz} < f < 2000\text{ Hz}$).

L = Anslått hørselbeskyttelse for lyder med lav frekvens ($f \leq 500\text{ Hz}$).

A:6 Kriterienivå

H = Kriterienivå for høyfrekvent støy

M = Kriterienivå med mellomfrekvent støy

L = Kriterienivå med lavfrekvent støy

A:7 Europeisk standard EN 352-6 Eksterne lydningangsnivåer

A:8 Inngangssignalnivå U (mV, RMS)

A:9 Gjennomsnittlig lydtrykksnivå (dB(A))

A:10 Lydtrykk, standardavvik (dB)

A:11 Inngangssignalnivået der gjennomsnittet pluss et standardavvik er lik 82 dB(A)

B) Australsk/newzealandsk standard AS/NZS 1270:2002

B:1 Testfrekvens

B:2 Gjennomsnittlig demping

B:3 Standardavvik

B:4 Gjennomsnitt minus standardavvik

KOMPONENTER

C:1 Sammenfellbar hodebøyle

C:2 Støttearm for ørekopp

C:3 Topunktstfester

C:4 Ørekopp

C:5 Batteriokk

C:6 Mikrofon for lytting til omgivelsene

C:7 Dempningspute

C:8 Ørepute

C:9 Ekstern inngangskabel (bare spesifikke modeller)

- C:10 Talemikrofon (bare spesifikke modeller)
- C:11 Nakkebøyle
- C:12 Inngang for talemikrofon (J22) (bare spesifikke modeller)
- C:13 [-]-knapp på tastatur
- C:14 [+]-knapp på tastatur
- C:15 NIB PTT

INSTRUKSJONER FOR TILPASNING

Hodebøyle

- D:1 Skyv ut ørekoppene og vipp toppen av koppen ut ettersom kabelen må ligge på utsiden av hodebøylen.
- D:2 Juster høyden på ørekoppene ved å føre dem opp eller ned samtidig som du holder hodebøylen på plass.
- D:3 Hodebøylen bør være plassert på tvers av toppen av hodet som vist og bør bære headsetets vekt.

Nakkebøyle

- D:4 Plasser ørekoppene i posisjon over ørene.
- D:5 Hold koppene på plass og plasser hoderemmen på toppen av hodet. Lås den stramt i riktig posisjon.
- D:6 Hoderemmen bør være plassert på tvers av toppen av hodet.

E:1–E:2 Tilpasse talemikrofonen

For å maksimere talemikrofonens ytelse i støyfulle områder bør den plasseres svært nær munnen (mindre enn 3 mm).

MERK: Ved bruk i store høyder eller innen luftfart kan omgivelsestrykket minke raskt og påvirke mikrofonens følsomhet, f.eks. når et helikopter tar av fra bakken. Hvis dette skjer, plasser mikrofonen nærmere munnen og/eller snakk høyere for å øke trykket på mikrofonmembranen.

INSTRUKSJONER FOR BRUK

Skifte batterier (Fig. 1)

- 1–2. Ta av lokkene til batterirommet og sett inn batteriene (2 stk. AAA).
- 3. Batteripolariteten må stemme overens med merkingen i batterirommet.
- 4. Løkkene må presses helt ned for å sikre god tetning. Lavt batterinivå indikeres med talemeldingen "low battery" (lavt batterinivå). Meldingen gjentas.

Slå headsetet på og av (Fig. 2)

Trykk og hold inne knappen [+] eller [-] i ca. 2 sekunder for å slå på eller av headsetet. En talemelding bekrefter dette. Gjeldende innstilling lagres alltid når du slår av headsetet.

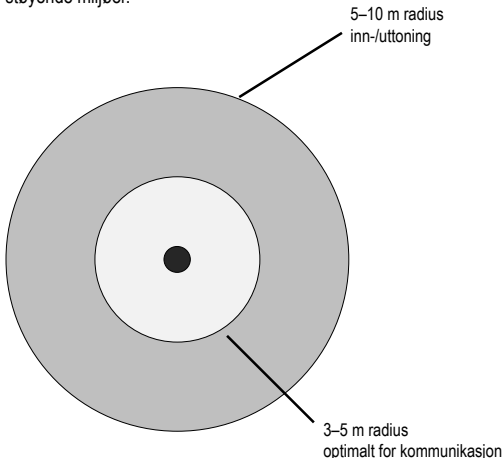
Headsetet slår seg av automatisk etter 2 timer dersom ingen funksjoner har vært brukt. Dette indikeres med en talemelding det siste minuttet før headsetet slår seg av. Trykk på knappen [+] eller [-] for å tilbakestille 2-timers tidsavbruddperioden.

Justere volumet (Fig. 3)

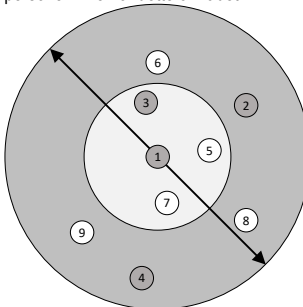
Trykk på [+] eller [-] for å justere volumet på omgivelseslyden. Det finnes fire nivåinnstillinger samt mulighet til å slå omgivelseslyden av. De maksimale innstillingene bekreftes med en pipetone. Når omgivelseslyden er avslått, bekreftes det med en talemelding.

Ansikt-til-ansikt-kommunikasjon via NIB-teknologi

NIB muliggjør ansikt-til-ansikt-kommunikasjon på kort avstand i støyende miljøer.



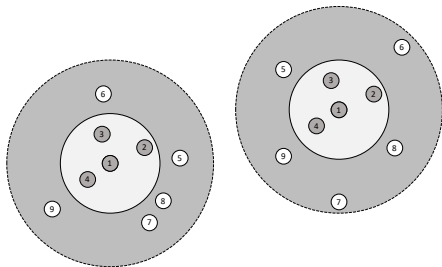
NIB-teknologien muliggjør trådløs kommunikasjon innenfor en radius på 10 m. Full duplex kommunikasjon for opptil fire personer innenfor dette området.



I støyende miljøer går du bare bort til den personen du vil snakke med. NIB-teknologien kobles mykt inn og ut (5–10 m radius) og tillater kommunikasjon med personer som er i nærheten. Hold deg innenfor en radius på 3–5 m radius for optimalt kommunikasjonssignal.

Når de fire kanalene (1–4) for sending med full duplex er opptatte, kan andre brukere fremdeles lytte, men ikke sende (5–9). Den øvre grensen for lyttere er antall personer som får plass innenfor radiusen på 10 m og ikke hva teknologien tillater.

MERK: Når mer enn fire brukere prøver å sende via NIB, vil den femte og øvrige brukere som prøver å sende, høre pipetoner. Det indikerer at den utgående kommunikasjonen ikke ble sendt.



Hvilken NIB-gruppe du tilhører, avhenger av hvor du og de øvrige NIB-headsetene er plassert.

NIB fungerer når nivået på omgivelsesstøyen overstiger ca. 80 dB og når støyen er kontinuerlig i ca. 1 sekund.

NIB fungerer også ved lavere nivå enn 80 dB hvis brukeren trykker på PTT-knappen i PTT-modus eller VOX-modus.

Aktivere NIB (Fig. 7)

Ved å dobbeltrykke raskt på PTT-knappen veksler du mellom NIB PTT ON/NIB OFF/NIB VOX ON.

Når du trykker og holder inne NIB PTT-knappen, tillater dette kommunikasjon innenfor 10 m-radiusen når du er i modusen NIB VOX ON og NIB PTT ON.

NIB VOX ON – I denne modusen vil høye støynivåer aktivere NIB-radioen og tillate VOX-kommunikasjon for opptil fire brukere. Ved å trykke på PTT-knappen i VOX ON-modus tillater man også stille kommunikasjon.

Når headsetet brukes i et miljø med periodisk støy, kan støyen aktivere NIB VOX gjentatte ganger. I en slik situasjon kan du bruke NIB PTT ON.

NIB PTT ON – I denne modusen må du bruke PTT-knappen for å sende.

NIB OFF – denne modusen SLÅR AV NIB-radioen. I NIB OFF avgir NIB-radioen ikke noe RF- signal.

Bruke Push-To-Talk for NIB (Fig. 8)

Trykk og hold inne PTT-knappen på venstre ørekopp for å sende på NIB-radioen.

Åpne menyen (Fig. 4)

1. Trykk og hold inne knappen [+] eller [-] for å åpne menyen. En talemelding bekrefter dette.
2. Trykk kort på [-]-knappen for å bla gjennom menyen. Menytrinnene er oppført nedenfor.
3. Bruk [+] knappen til å endre innstillingen og, hvis det finnes,

bla gjennom de tilgjengelige innstillingene. En talemelding bekrefter hvert trinn, fulgt av gjeldende innstilling. Endringer bekreftes også med en talemelding. Etter noen få sekunder uten aktivitet går menyen tilbake til volummodus. Ved å trykke på [+] og [-] kan du umiddelbart gå til voluminnstillingen fra et hvilket som helst sted i menyen.

Ambient/Environmental listening mode (modus for lytting til omgivelsene)

Modusen for lytting til omgivelsene er tilgjengelig i klassisk og avansert modus. Med klassisk modus kan du justere volumet i fire trinn ved å øke eller minske nivået på lyden fra omgivelsene. Avansert modus har fire forhåndsvalgte innstillinger som er optimert for ulike lydprofiler.

Innstilling	Tenkt bruk
Avansert modus 1 (Komfort)	For komfort i et svært støydende miljø.
Avansert modus 2 (Konversasjon)	For en naturlig lydopplevelse der det er påkrevd med beskyttelse mot plutselig støy.
Avansert modus 3 (Patroljering)	For høy situasjonsbevissthet når man oppholder seg i et miljø med lav støy.
Avansert modus 4 (Overvåkning)	For ekstra høy situasjonsbevissthet i et stille miljø.

Battery (batteri)

Velg den batteritypen du vil bruke i headsetet, dvs. alkalisk eller oppladbart batteri.

Wireless input (trådløs inngang)

1. Følg bruksanvisningen for 3M™ PELTOR™ TEP-LOOP-[®] for å klargjøre halsslyngen.
2. Gå til headsetets meny for å justere det trådløse inngangssignalet og sensitiviteten slik at det samsvarer med den tilkoblede halsslyngen. Velg Off/Low/Medium/High (av/lav/ middels/høy).
3. Juster volumet på den eksterne radioen om nødvendig.

MERK: Volumet kan variere avhengig av avstanden mellom headsetet og halsslyngen.

Wired Input (kablet inngang)

Juster det kablede inngangssignalet og sensitiviteten slik at det samsvarer med den kablettilkoblede enheten. Velg Low/High (lav/høy).

Balance (balanse)

Med balanse justerer du volumnbalansen mellom høyre og venstre øre. Det finnes sju innstillinger: Center (senter), Left 1 (venstre 1), Left 2 (venstre 2), Max left (maks. venstre), Max right (maks. høyre), Right 2 (høyre 2), Right 1 (høyre 1).

Warning signals (varselsignaler)

Med innstillingen for varselsignaler deaktiverer/aktiverer du varselsignalene "low battery" (lavt batterinivå) og "automatic power off" (automatisk avslåing). Når dette er slått av, vil du ikke høre noen av disse varselsignalene.

Automatic power off (automatisk avslåing)

Med innstillingen automatisk avslåing deaktiverer/aktiverer du funksjonen som gjør at headsetet slås av automatisk.

NIB frequency (NIB-frekvens)

For Nord-Amerika, Australia og New Zealand er frekvensen for NIB 915 MHz.

For Europa er frekvensen for NIB 864 MHz.

Velg NIB-frekvens, 864 MHz (EU) eller 915 MHz (NA, ANZ). Trykk [+] for å velge og trykk og hold inne [+] for å bekrefte valget.

MERK: Kontroller at du bruker den godkjente frekvensen for den regionen der du befinner deg.

Factory reset (fabrikkinnstilling)

Tilbakestiller alle menyinnstillinger til standardverdiene fra fabrikk. Denne innstillingen må bekrefte ved å trykke på [+] når du hører talemeldingen "confirm factory reset" (bekreft fabrikkinnstilling).

FEILSØKING FOR NIB

Problem	Mulige årsaker	Forslag
Headsetet avgir en pipetone under sending.	NIB-kanalen opptatt av fire personer.	Vent til det blir en ledig plass.
Headsetet avgir en pipetone under sending.	Det finnes ingen andre headset i området.	Kontroller at det finnes et annet headset i bruk i området.
Kan ikke høre eller kommunisere med andre.	Du bruker ikke korrekt NIB-frekvens for den regionen der du befinner deg.	Velg korrekt NIB-frekvens i menyen. Se NIB frequency.
Kan ikke høre eller kommunisere med andre.	NIB er ikke aktivert.	Du veksler mellom ulike moduser med PTT-knappen. Se Aktivere NIB.

RENGJØRING OG VEDLIKEHOLD

Bruk en klut fuktet med såpe og varmt vann til å rengjøre ørekoppene utvendig, hodebøylen og øreputene.

MERK: Nedsenk IKKE hørselvernet i vann. Hvis hørselvernet blir vått av regn eller svette, vend øreklokkene utover, ta av øreputene og skumføringene, og la alt tørke før du setter det sammen igjen. Øreputene og skumføringene kan bli svekket ved bruk og bør undersøkes med jevne mellomrom med tanke på f.eks. sprekker eller andre skader. Ved jevnlig bruk anbefaler 3M at man skifter ut skumføringene og øreputene minst to ganger i året for å opprettholde god demping, hygiene og komfort. Hvis en ørepute er skadet, bør den skiftes ut. Se avsnittet om reservedeler nedenfor.

TA AV OG SKIFTE UT ØREPUTENE

F:1 Når du skal ta av øreputen, fører du fingrene under den innvendige kanten av øreputen og trekker rett ut.
F:2 Fjern eksisterende føring og sett inn nye skumføringer.
F:3 Deretter plasserer du den ene siden av øreputen i sporet på ørekoppene og trykker på motsatt side inntil øreputen smekker på plass.

BRUKE BESKYTTELSESTEIP FOR MIKROFONEN

Bruk mikrofonbeskytter HYM1000 for å beskytte bøylemikrofonen mot fuktighet og smuss.

Slik fester du beskytteren (Fig. G):

G:1 Bruk en saks til å klippe av 100 mm av beskyttelsesteipen for mikrofonen. Ta av beskyttelsespapiret.
G:2: Plasser mikrofonen i enden av teipen som vist på bildet.
G:3 Brett beskyttelsesteipen og sørg for at mikrofonen er dekket.
G:4 Press godt sammen for å forsegle beskyttelsesteipen.
G:5 Mikrofonen er nå klar til bruk.

RESERVEDELER OG TILBEHØR

3M™ PELTOR™ HY68 SV Hygienesett
Utskiftbart hygienesett. Skift minst to ganger per år for å sikre konstant demping, hygiene og komfort.

3M™ PELTOR™ HY80-EU Gelpute hygienesett

3M™ PELTOR™ HY100A Hygienetrek
Hygienetrek som er enkelt å sette på øreputene.

3M™ PELTOR™ MT73 Vanntett mikrofon
Vanntett dynamisk talemikrofon.

3M™ PELTOR™ M171/2 Vindbeskytter for mikrofon

3M™ PELTOR™ HYM1000 Mikrofonbeskytter
Fukt- og vindbestandig teip som beskytter talemikrofonen.

3M™ PELTOR™ M60/2 Vindbeskytter for omgivelsesmikrofoner

3M™ PELTOR™ HY450/1 Hodepute
Brukes på hørselvern med sammenfellbar hodebøyle for små hodestørrelser.

3M™ PELTOR™ LR03NM Batteri AAA NiMH

GARANTI OG BEGRENSET ANSVAR

GARANTI: Dersom et produkt fra 3M Personal Safety Division er defekt i materiale, utførelse eller ikke samsvarer med enhver uttrykt garanti for et bestemt formål, skal 3Ms eneste forpliktelse og din eneste rettighet være følgende, alt etter hva 3M velger: å reparere, erstatte eller refundere kjøpsprisen for deler eller produkter dersom du gir beskjed innenfor fristen og kan dokumentere at produktet er blitt oppbevart, vedlikeholdt og brukt i samsvar med 3Ms skriftlige instruksjoner. MED UNNTAK AV DER DETTE ER FORBUDT I HENHOLD TIL LOVEN GJELDER KUN DENNE GARANTIEN, OG I STEDET FOR UTTRYKTE ELLER UNDERFORSTÅTTE GARANTIER

OM SALGBARHET, EGNETHET FOR ET BESTEMT FORMÅL ELLER ANDRE GARANTIER OM KVALITET, ELLER GARANTIER SOM OPPSTÅR SOM FØLGE AV FORRETNINGER, SEDVANE ELLER HANDELSBRUK, MED UNNTAK AV BRUDD PÅ PATENTRETTIGHETER. 3M har ingen forpliktelser i henhold til denne garantien når det gjelder ethvert produkt som er defekt som følge av utilstrekkelig eller feilaktig oppbevaring, håndtering eller vedlikehold; som følge av at man ikke har fulgt instruksjonene for produktet; eller som følge av modifikasjoner eller skade på produktet forårsaket av ulykke, skjødesløshet eller misbruk.

BEGRENSET ANSVAR: MED UNNTAK AV DER DETTE ER FORBUDT I HENHOLD TIL LOVEN, SKAL 3M UNDER INGEN OMSTENDIGHETER KUNNE HOLDES ANSVARLIG FOR DIREKTE, INDIREKTE, SPESIELLE, TILFELDIGE ELLER SEKUNDÆRE TAP ELLER SKADER (INKLUDERT TAPT FORTJENESTE) SOM FØLGE AV BRUKEN AV DETTE PRODUKTET, UAVHENGIG AV HVILKEN RETTSTEORI SOM FORFEKTES. FORPLIKTELSENE SOM ER ANGITT HER, GJELDER EKSKLUSIVT.

MODIFIKASJON IKKE TILLATT: Det må ikke utføres modifikasjoner på denne enheten uten at det foreligger skriftlig tillatelse fra 3M Company. Uautoriserte modifikasjoner kan oppheve garantien og brukerens tillatelse til å bruke enheten.

MERK:

- Bland ikke gamle og nye batterier.
- Bland ikke alkaliske, standard eller oppladbare batterier.
- Ved kassering av batterier, følg lokale regler og forskrifter for avfallshåndtering.
- Bruk bare AAA ikke-oppladbare eller Ni-MH oppladbare batterier (etter hva som er aktuelt).

3M™ PELTOR™ ComTac™ VI NIB Headset MT20H682**.*N**

WPROWADZENIE

Kratulujemy i dziękujemy, że wybraliście Państwo rozwiązanie komunikacyjne firmy 3M™ PELTOR™! Witamy w nowej generacji komunikacyjnych urządzeń ochronnych.

ZASTOSOWANIE

Niniejsze zestawy nagłowne 3M™ PELTOR™ zostały zaprojektowane w celu zapewnienia użytkownikom ochrony przed wysokim poziomem natężenia hałasu i dźwięków oraz umożliwienia odsłuchu dźwięku otoczenia za pomocą mikrofonów ambientowych/środkowiskowych, odsłuchu dźwięku z podłączonych do zestawu urządzeń komunikacyjnych oraz komunikacji bezpośredniej z wykorzystaniem zintegrowanej funkcji naturalnej interakcji (NIB) w przypadku wysokiego poziomu hałasu ustalonego. Wszyscy użytkownicy urządzenia powinni przeczytać i zrozumieć treść dostarczonej instrukcji oraz zapoznać się ze specyfiką obsługi urządzenia.

WAŻNE!

Przed użyciem prosimy przeczytać i zastosować się do informacji zawartych w niniejszej instrukcji. Prosimy zachować instrukcję do wykorzystania w przyszłości. W przypadku pytań lub potrzeby uzyskania dodatkowych informacji prosimy o kontakt z Działem Obsługi Technicznej 3M (dane do kontaktu znajdują się na ostatniej stronie).



OSTRZEŻENIE!

Ten ochronnik słuchu pomaga zmniejszyć ryzyko narażenia na niebezpieczny poziom natężenia hałasu oraz inne głośne dźwięki. Nieprawidłowe użytkowanie lub niestosowanie środków ochrony słuchu przez pełen czas pracy w warunkach o wysokim natężeniu hałasu może doprowadzić do uszkodzenia lub utraty słuchu. W celu prawidłowej eksploatacji urządzenia skontaktuj się ze swoim przełożonym i zapoznaj się z instrukcją obsługi lub zadzwoń do Działu Obsługi Technicznej 3M. Jeśli czujesz, że Twój słuch jest przytłumiony lub słyszysz dzwonienie albo brzęczenie podczas lub po ekspozycji na hałas (w tym strzały z broni palnej), lub podejrzewasz problemy ze słuchem z innego powodu, natychmiast opuść głośne otoczenie i skonsultuj się z lekarzem i/lub Twoim przełożonym.

Niestosowanie się do niniejszych instrukcji może skutkować poważnym urazem lub śmiercią:

- Słuchanie muzyki lub innych źródeł komunikacji audio może obniżyć zdolność oceny sytuacji oraz osłabić możliwość usłyszenia sygnałów ostrzegawczych. Należy zachować czujność i dostosować głośność komunikacji audio do najniższego akceptowalnego poziomu. W przypadku niektórych stanowisk pracy, słyszalność sygnałów ostrzegawczych podczas korzystania z funkcji muzyczno-rozrywkowej może zostać osłabiona.
- Aby zminimalizować ryzyko wystąpienia eksplozji, nie należy używać produktu w potencjalnie wybuchowej atmosferze.

Nieprzestrzeganie niniejszych instrukcji może osłabić poziom ochrony zapewnianej przez ochronnik słuchu i może doprowadzić do ubytku lub utraty słuchu:

- Badania dowodzą, że odczuwana przez użytkowników ochrona przed hałasem może być słabsza niż sugerują wartości tłumienia wskazane na opakowaniu, ze względu na różnice w dopasowaniu sprzętu, różne umiejętności w zakresie dopasowywania oraz motywację użytkownika. Aby dowiedzieć się, jak zmieniać wartości parametrów i oszacowywać odpowiednią dla użytkownika wartość tłumienia, należy odnieść się do właściwych przepisów. Ponadto, 3M zdecydowanie zaleca przeprowadzenie próby indywidualnego dopasowania ochronnika słuchu.
- Upewnij się, że ochronnik słuchu jest odpowiednio dobrany, dopasowany, wyregulowany i sprawny. Nieprawidłowe dopasowanie urządzenia powoduje ryzyko osłabienia skuteczności tłumienia hałasu. Aby odpowiednio dopasować urządzenie, należy zastosować się do wskazówek zawartych w instrukcji.
- Przed każdym użyciem należy ochronnik słuchu dokładnie obejrzeć. Jeśli jest on uszkodzony, należy wybrać nieuszkodzony ochronnik słuchu lub unikać przebywania w głośnym otoczeniu.
- W przypadku gdy niezbędne jest zastosowanie dodatkowych środków ochronnych (np. okularów ochronnych, aparatów filtrujących powietrze itp.), wybieraj elastyczne, niskoprofilowe zauszuki lub paski, aby zminimalizować ryzyko wystąpienia nieszczelności poduszki nausznikowej. Usuń wszelkie elementy (np. czapka, biżuteria, włosy, słuchawki douszne, nakładki higieniczne itp.), które mogłyby mieć negatywny wpływ na szczelność poduszek nausznych, skutkując obniżeniem poziomu ochrony zapewnianej przez ochronnik słuchu.
- Nie wyginaj ani nie zmieniaj kształtu pałąka nagłownego lub nakarkowego oraz upewnij się, że siła z jaką nauszniaki przylegają do głowy jest wystarczająca.
- Ochronniki słuchu, a w szczególności poduszki tłumiące, ulegają zużyciu i należy je regularnie sprawdzać pod kątem pęknięć, dźwiękoszczelności itp. Przy regularnym stosowaniu ochronnika należy wymieniać poduszki uszczelniające co najmniej dwa razy w roku, w celu zachowania odpowiedniego poziomu tłumienia, higieny i komfortu.
- Natężenie dźwięku na wyjściu elektrycznego obwodu audio w tym ochronniku słuchu może przekraczać dopuszczalny dzienny limit natężenia dźwięku. Należy dostosować głośność komunikacji audio do najniższego akceptowalnego poziomu.
- W przypadku niezastosowania się do powyższych wymagań, ochrona zapewniana przez ochronnik słuchu będzie poważnie osłabiona.

EN 352 Informacje dotyczące bezpieczeństwa:

- Poziom dźwięku na wyjściu elektrycznego obwodu audio w tym ochronniku słuchu może przekraczać poziom hałasu zewnętrznego.
- Zastosowanie nakładek higienicznych w nauszniakach może mieć wpływ na właściwości akustyczne ochronnika słuchu.
- W miarę wyczerpywania się baterii wydajność urządzenia może ulegać pogorszeniu. Standardowy czas ciągłego użytkowania akumulatora ochronnika słuchu wynosi ok.:
 - LDF i NIB: 30 godzin
 - LDF: 50 godzin
- Niektóre substancje chemiczne mogą uszkodzić produkt. Dodatkowe informacje można uzyskać u producenta.
- Niniejsze ochronniki są dostępne w małych rozmiarach.

Ochronniki słuchu zgodne z normą EN 352-1 są dostępne w rozmiarze średnim (M), małym (S) i dużym (L). Ochronniki w rozmiarze średnim (M) są odpowiednie dla większości użytkowników. Ochronniki w rozmiarze małym (S) i dużym (L) są zaprojektowane dla osób, którym nie pasuje ochronnik o rozmiarze średnim (M).

- Produkt nie jest przeznaczony do użytku w środowiskach o dużym natężeniu ciągłych dźwięków o niskiej częstotliwości.

UWAGA!

- W przypadku zastosowania baterii niewłaściwego typu, bateria może eksplodować.
- Należy zawsze korzystać z części zamiennych marki 3M dedykowanych do danego produktu. Korzystanie z nieautoryzowanych części zamiennych może osłabić właściwości ochronne produktu.

UWAGA!

- Niniejszy ochronnik słuchu, o ile jest eksploatowany zgodnie z zaleceniami zawartymi w instrukcji obsługi, pomaga minimalizować ryzyko związane z narażeniem na hałas ciągły (np. hałas przemysłowy, hałas generowany przez pojazdy kołowe i samoloty), a także głośnie dźwięki charakterystyczne dla hałasu impulsowego (np. strzały z broni palnej). Trudno przewidzieć wymagane i/lub aktualne środki ochrony słuchu podczas ekspozycji na hałas impulsowy. W przypadku strzałów z broni palnej, wpływ na to ma rodzaj broni, ilość wystrzałów, odpowiedni dobór środków ochrony słuchu, dopasowanie sprzętu do ciała, odpowiednia konserwacja sprzętu oraz inne czynniki. Aby dowiedzieć się więcej na temat ochrony słuchu w przypadku ekspozycji na hałas impulsowy, odwiedź stronę internetową www.3M.com/hearing.
- Ochronnik słuchu jest wyposażony w funkcję dostosowywania głośności do poziomu natężenia dźwięków otoczenia. Przed użyciem użytkownik powinien zapoznać się ze sposobem obsługi urządzenia. W razie stwierdzenia zakłóceń lub niesprawności, użytkownik powinien skorzystać z zaleceń producenta odnośnie konserwacji i wymiany baterii.
- Ten ochronnik słuchu posiada elektryczne wejście audio. Przed użyciem użytkownik powinien zapoznać się ze sposobem obsługi urządzenia. W przypadku stwierdzenia zakłóceń lub awarii, użytkownik powinien skorzystać z zaleceń producenta.
- Zakres temperatury pracy: -20°C do 55°C
- Zakres temperatury przechowywania: -20°C do 55°C
- Masa ochronnika słuchu: MT20H682FB-***N** = 340 g, MT20H682BB-***N** = 313 g, MT20H682FB-***N**(HY80) = 379 g.
- Okres magazynowania: 5 lat, za wyjątkiem baterii.

ATESTY

Firma 3M Svenska AB niniejszym oświadcza, że sprzęt do komunikacji radiowej spełnia wymogi dyrektywy 2014/53/UE oraz wymogi innych stosownych dyrektyw niezbędnych do spełnienia kryteriów oznakowania CE. Firma 3M Svenska AB niniejszym oświadcza, że zestaw sprzętu ochrony osobistej jest zgodny z Rozporządzeniem Parlamentu Europejskiego i Rady (UE) 2016/425 oraz dyrektywą 89/686/EWG.

Obowiązujące ustawodawstwo zostało określone w Deklaracji

zgodności dostępnej pod adresem www.3M.com/peltor/doc. Deklaracja zgodności zawiera również informacje dotyczące innych akcesoriów zatwierdzonych do użytku ze sprzętem. W celu identyfikacji Deklaracji zgodności należy znaleźć numer partii. Numer partii Twojego ochronnika słuchu znajduje się w dolnej części jednego z nauszników. Widać to na poniższym przykładzie.



Niniejszy sprzęt ochrony osobistej jest corocznie sprawdzany (w przypadku produktów III kategorii) i zatwierdzany do użytku przez Fiński Instytut Zdrowia Zawodowego (Finnish Institute of Occupational Health), jednostka notyfikowana nr 0403, Topelikuksenkatu 41 b, FI-00250 Helsinki, Finlandia. Produkt został przetestowany i zatwierdzony do użytku zgodnie z normami: EN 352-1:2002, EN 352-4:2001/A1:2005, EN 352-6:2002.

Kopię Deklaracji zgodności oraz dodatkowe informacje, wymagane zgodnie z dyrektywami, można również uzyskać w oddziałach firmy 3M w kraju dokonania zakupu. Dane do kontaktu znajdują się na ostatnich stronach niniejszej instrukcji.



Niniejszy produkt zawiera części elektryczne i elektroniczne, w związku z tym nie należy usuwać go wraz z innymi odpadami bytowymi. Prosimy postępować zgodnie z lokalnymi przepisami prawa odnośnie usuwania i utylizacji sprzętu elektrycznego i elektronicznego.

WARTOŚCI TŁUMIENIA W WARUNKACH LABORATORYJNYCH

Wartości tłumienia (SNR) zostały uzyskane przy wyłączonym urządzeniu. Objaśnienie do tabeli parametrów tłumienia:

Norma europejska EN 352

Badania dowodzą, że odczuwana przez użytkowników ochrona przed hałasem może być słabsza niż sugerują wartości tłumienia wskazane na opakowaniu, ze względu na różnice w dopasowaniu sprzętu, różne umiejętności w zakresie dopasowywania oraz motywację użytkownika. Aby dowiedzieć się, jak zmieniać wartości parametrów i oszacowywać odpowiednią dla użytkownika wartość tłumienia, należy odnieść się do właściwych przepisów. Ponadto, 3M zdecydowanie zaleca przeprowadzenie próby indywidualnego dopasowania ochronnika słuchu.

A:1 Częstotliwość (Hz)

A:2 Średnia wartość tłumienia (dB)

A:3 Odchylenie standardowe (dB)

A:4 Oczekiwana wartość tłumienia (dB)

A:5

H = estymacja skuteczności ochrony słuchu dla dźwięków o wysokiej częstotliwości ($f \geq 2000$ Hz).

M = estymacja skuteczności ochrony słuchu dla dźwięków o średniej częstotliwości (500 Hz $< f < 2000$ Hz).

L = estymacja skuteczności ochrony słuchu dla dźwięków o niskiej częstotliwości ($f \leq 500$ Hz).

A:6 Poziomy odniesienia

H = poziom odniesienia dla dźwięku o wysokiej częstotliwości

M = poziom odniesienia dla dźwięku o średniej częstotliwości

L = poziom odniesienia dla dźwięku o niskiej częstotliwości

A:7 Norma europejska EN 352-6 Wartości sygnału wejściowego audio

A:8 Poziom sygnału wejściowego U (mV, RMS)

A:9 Średni poziom ciśnienia akustycznego (dB(A))

A:10 Odchylenie standardowe poziomu ciśnienia akustycznego (dB)

A:11 Wartość napięcia sygnału wejściowego, dla którego średni poziom ciśnienia akustycznego przy standardowym odchyleniu wynosi 82 dB(A)

B) Norma AS/NZS 1270:2002 obowiązująca w Australii i Nowej Zelandii

B:1 Częstotliwości testowe

B:2 Średnia wartość tłumienia, ŚWT

B:3 Odchylenie standardowe, OS

B:4 ŚWT minus OS

ELEMENTY WYPOSAŻENIA

C:1 Pałak nagłowny składany

C:2 Ramię podtrzymujące czaszę nausznika

C:3 Dwupunktowe mocowania

C:4 Nausznik

C:5 Pokrywa baterii

C:6 Mikrofon ambientowy/środowiskowy

C:7 Wkładka tłumiąca

C:8 Poduszka nauszna

C:9 Kabel złącza zewnętrznego sygnału elektroakustycznego (dotyczy tylko wybranych modeli)

C:10 Mikrofon (dotyczy tylko wybranych modeli)

C:11 Pałak nakarkowy

C:12 Gniazdo mikrofonu (J22) (dotyczy tylko wybranych modeli)

C:13 Przycisk [-] na klawiaturze

C:14 Przycisk [+] na klawiaturze

C:15 Przycisk NIB/PTT

INSTRUKCJA MONTAŻU

Pałak nagłowny

D:1 Rozsuń czaszę i odchyl górną część nauszników na zewnątrz, ponieważ kabel musi znajdować się na zewnątrz pałaka.

D:2 Dostosuj wysokość nauszników przesuwając je w dół lub w górę, jednocześnie przytrzymując pałak.

D:3 Pałak powinien przebiegać w poprzek czubka głowy (jak pokazano na rysunku), utrzymując ciężar zestawu nagłownego.

Pałak nakarkowy

D:4 Umieść nauszniki przy uszach.

D:5 Trzymając je w takiej pozycji zapnij ciasno pasek pałaka na szczycie głowy.

D:6 Pasek pałaka powinien przebiegać w poprzek czubka głowy.

E:1-E:2 Dopasowanie mikrofonu

W celu optymalizacji działania mikrofonu w środowisku o wysokim natężeniu hałasu, mikrofon należy umieścić w bliskiej odległości od ust (mniejszej niż 3 mm lub 1/8 cala).

UWAGA! W przypadku użytkowania na wysokich wysokościach/ podczas lotu ciśnienie na zewnątrz może gwałtownie spaść, co może mieć wpływ na czułość mikrofonu, np. podczas wznoszenia się helikoptera. Jeśli tak się stanie, należy umieścić mikrofon bliżej ust i/lub mówić głośniejsze, aby zwiększyć ciśnienie oddziałujące na membranę mikrofonu.

INSTRUKCJA OBSŁUGI

Wymiana baterii (Rys. 1)

1-2. Otwórz pokrywę baterii i włóż baterie (2xAAA).

3. Biegunowość baterii musi być zgodna z oznaczeniem w przegrodzie na baterie.

4. Pokrywy muszą zostać dobrze dociśnięte, aby zagwarantować odpowiednią szczelność. Niski poziom naładowania baterii jest sygnalizowany powtarzającym się komunikatem głosowym „low battery”.

Włączanie i wyłączanie zestawu słuchawkowego (Rys. 2)

Aby włączyć lub wyłączyć zestaw, naciśnij i przytrzymaj przez około dwie sekundy przycisk [+] lub [-]. Komunikat głosowy potwierdzi wykonaną czynność. Podczas wyłączania zestawu zapisywane jest ostatnio używane ustawienie.

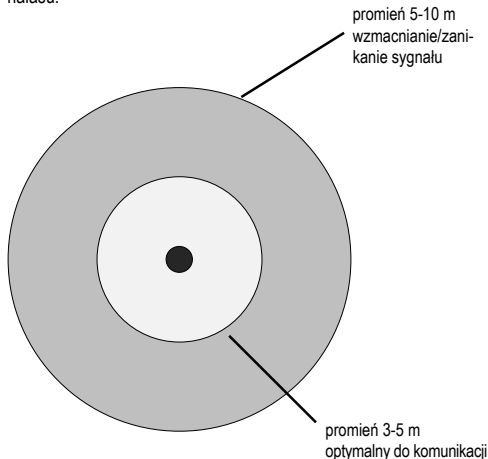
Po dwóch godzinach braku aktywności zestaw wyłącza się automatycznie. Sytuacja ta jest sygnalizowana komunikatem głosowym powtarzanym przez ostatnią minutę poprzedzającą wyłączenie urządzenia. Naciśnij przycisk [+] lub [-] aby zresetować dwugodzinny okres limitu czasowego.

Regulacja głośności (Rys. 3)

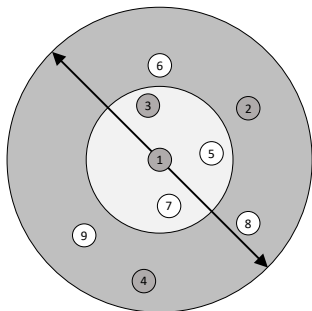
Aby wyregulować głośność odsłuchu ambientowego/ środowiskowego, naciśnij przycisk [+] lub [-]. Dostępne są cztery poziomy głośności oraz możliwość wyłączenia odsłuchu ambientowego/środowiskowego. Maksymalne wartości ustawień są potwierdzane sygnałem dźwiękowym. Wyłączenie trybu odsłuchu ambientowego/środowiskowego jest potwierdzane komunikatem głosowym.

Komunikacja bezpośrednia przy pomocy technologii NIB

Funkcja NIB umożliwia bezpośrednią komunikację (twarzą w twarz) w bliskiej odległości w środowiskach o dużym natężeniu hałasu.



Technologia NIB pozwala na komunikację bezprzewodową w promieniu 10 m. Zasięg ten pozwala na komunikację w trybie pełnego duplexu dla maksymalnie czterech osób.

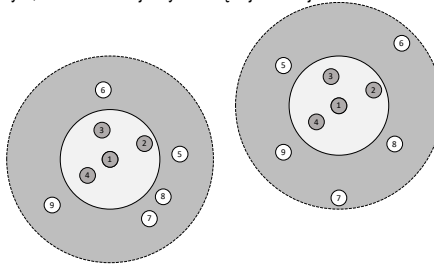


W środowiskach o wysokim natężeniu hałasu wystarczy zbliżyć się do osoby, z którą chcemy porozmawiać. Sygnał komunikacji za pomocą technologii NIB (w promieniu 5-10 m) jest wzmacniany lub zanika w zależności od naszej odległości względem innych osób. W celu zachowania optymalnej jakości komunikacji, należy pozostawać w promieniu 3-5 m od swojego rozmówcy.

W przypadku, gdy wszystkie cztery (1-4) kanały (nadające w trybie pełnego duplexu) są zajęte, pozostali użytkownicy wciąż mogą słuchać transmisji, ale nie mogą nadawać (5-9). Maksymalna liczba osób słuchających transmisji wynika raczej z konieczności pozostawania w promieniu 10 m, aniżeli z ograniczeń technologicznych.

UWAGA! W przypadku, gdy z transmisji NIB ma zamiar korzystać więcej niż cztery osoby, piąty użytkownik i kolejne osoby chcące nadawać transmisję usłyszą sygnały dźwiękowe informujące o

tym, że komunikacja wychodząca jest w tej chwili niemożliwa.



Twoja przynależność do danej grupy NIB zależy od tego, gdzie się znajdujesz oraz gdzie znajdują się pozostałe zestawy słuchawkowe wyposażone w funkcję NIB.

Funkcja NIB działa przy hałasie przekraczającym 80 dB oraz wówczas, gdy jest to hałas ciągle trwający przynajmniej 1 sekundę.

Funkcję NIB można również włączyć przy hałasie o natężeniu niższym niż 80 dB, jeśli użytkownik naciśnie przycisk PTT w trybie PTT lub trybie VOX.

Aktywacja funkcji NIB (Rys. 7)

Przełączanie pomiędzy ustawieniami NIB PTT ON/NIB OFF/NIB VOX ON jest możliwe za pomocą szybkiego przyciśnięcia przycisku PTT.

Naciśnięcie i przytrzymanie przycisku NIB PTT umożliwi komunikację w promieniu 10 m przy włączonych trybach NIB VOX ON oraz NIB PTT ON.

NIB VOX ON – w tym trybie, przy odpowiednio wysokim natężeniu hałasu, aktywuje się radio NIB i komunikacja VOX dla maksymalnie czterech użytkowników. Naciśnięcie przycisku PTT w trybie VOX ON pozwala korzystać z tej funkcji również wówczas, gdy jest cicho.

W przypadku, gdy zestaw słuchawkowy jest użytkowany w środowisku, w którym hałas ma charakter przerywany, hałas taki może aktywować tryb NIB VOX wielokrotnie. W takiej sytuacji można skorzystać z funkcji NIB PTT ON.

NIB PTT ON – w tym trybie, aby nadać transmisję, należy nacisnąć przycisk PTT.

NIB OFF – ten tryb WYŁĄCZA radio NIB. W trybie NIB OFF radio NIB nie emituje żadnego sygnału radiowego.

Funkcja „Push-to-Talk” (naciśnij i mów) w trybie NIB (Rys. 8)

Naciśnij i przytrzymaj przycisk PTT na lewym nauszniku, aby nadać transmisję w trybie NIB.

Przejdź do menu (Rys. 4)

1. Aby przejść do menu, naciśnij i przytrzymaj równocześnie przyciski [+] i [-]. Komunikat głosowy potwierdzi wykonaną czynność.
2. Naciśnij krótko przycisk [-] w celu nawigacji po menu. Poszczególne funkcje menu zostały opisane poniżej.
3. Naciśnij przycisk [+] w celu zmiany ustawienia i (jeśli to możliwe) nawigacji po dostępnych ustawieniach. Każde przejście

do kolejnej funkcji menu jest potwierdzane komunikatem głosowym. Komunikatem głosowym jest również potwierdzane każde dokonanie zmiany ustawień. Po kilku sekundach braku aktywności menu powraca do trybu regulacji głośności. Z każdej funkcji menu można przejść bezpośrednio do funkcji regulacji głośności poprzez naciśnięcie przycisków [+] i [-].

Ambient/Environmental listening mode (Tryb odsłuchu ambientowego/środowiskowego)

Tryb odsłuchu ambientowego/środowiskowego jest dostępny w trybie klasycznym i zaawansowanym. Tryb klasyczny umożliwia czterostopniową regulację głośności poprzez zwiększenie lub zmniejszenie poziomu głośności odsłuchu ambientowego/środowiskowego. Tryb zaawansowany obsługuje cztery zaprogramowane ustawienia przystosowane do różnych profili dźwiękowych.

Ustawienie	Zastosowanie
Tryb zaawansowany 1 (Komfort)	Zapewniający komfort w bardzo głośnym środowisku.
Tryb zaawansowany 2 (Rozmowa)	Zapewniający naturalne doznania dźwiękowe, gdzie niezbędna jest ochrona przed nagłym hałasem.
Tryb zaawansowany 3 (Patrol)	Zapewniający wysoką świadomość sytuacyjną, np. podczas obchodu w miejscach o niskim natężeniu hałasu.
Tryb zaawansowany 4 (Dozór)	Zapewniający bardzo wysoką świadomość sytuacyjną w cichym środowisku.

Battery (Bateria)

Wybierz rodzaj baterii stosowany w Twoim zestawie nagłownym: baterie alkaliczne lub akumulatory.

Wireless input (Wejście bezprzewodowe)

1. W celu poprawnej konfiguracji obwodu noszonego na szyi nadajnika, postępuj zgodnie z instrukcją użytkownika urządzenia 3M™ PELTOR™ TEP-LOOP-*
2. Przejdź do menu zestawu, a następnie ustaw wejście bezprzewodowe i czułość tak, aby zapewnić odpowiednie działanie podłączonego naszyjnego obwodu nadajnika. Wybierz Off/Low/Medium/High (Wył./Niski/Średni/Wysoki).
3. W razie potrzeby dostosuj głośność radia zewnętrznego.

UWAGA! Głośność może się różnić, w zależności od odległości pomiędzy zestawem a obwodem noszonego na szyi nadajnika.

Wired Input (Wejście kablowe)

Ustaw wejście kablowe i czułość tak, aby zapewnić odpowiednie działanie urządzenia podłączonego za pomocą kabla. Wybierz Low/High (Niski/Wysoki).

Balance (Balans)

Ustawienie balansu umożliwia regulację różnicy głośności pomiędzy prawą a lewą częścią nauszniaka. Dostępnych jest siedem poziomów głośności: Center (Centralny), Left 1 (Lewy 1), Left 2 (Lewy 2), Max left (Lewy maks.), Max right (Prawy maks.), Right 2 (Prawy 2), Right 1 (Prawy 1).

Warning signals (Sygnały ostrzegawcze)

Ustawienie sygnału ostrzegawczego umożliwi aktywację/dezaktywację sygnałów ostrzegawczych: „low battery” (niski

poziom naładowania baterii) oraz „automatic power off” (automatyczne wyłączenie). Dezaktywacja opcji oznacza, że żaden z powyższych sygnałów ostrzegawczych nie będzie aktywny.

Automatic power off (Automatyczne wyłączenie)

Ustawienie automatycznego wyłączenia aktywuje/dezaktywuje funkcję automatycznego wyłączenia.

NIB frequency (Częstotliwość NIB)

W Ameryce Północnej, Australii oraz Nowej Zelandii częstotliwość dla funkcji NIB wynosi 915 MHz.

W Europie częstotliwość dla funkcji NIB wynosi 864 MHz.

Wybierz częstotliwość NIB, 864 MHz (UE) lub 915 MHz (Am. Pln., Austr. i N. Zel.) Naciśnij [+], aby dokonać wyboru oraz przytrzymaj [+], aby potwierdzić swój wybór.

UWAGA! Upewnij się, że korzystasz z częstotliwości zatwierdzonej dla regionu, w którym korzystasz z urządzenia.

Factory reset (Przywracanie ustawień fabrycznych)

Przywraca wszystkie ustawienia menu do parametrów fabrycznych. Ustawienie to musi zostać potwierdzone za pomocą przycisku [+], co zostanie zasygnalizowane komunikatem głosowym „confirm factory reset” (potwierdź przywrócenie ustawień fabrycznych).

NIB – ROZWIĄZYWANIE PROBLEMÓW

Problem	Możliwe przyczyny	Możliwe rozwiązanie
Zestaw wydaje sygnały dźwiękowe podczas nadawania transmisji.	Kanał NIB jest zajęty przez cztery osoby.	Poczekaj, aż zwolni się miejsce.
Zestaw wydaje sygnały dźwiękowe podczas nadawania transmisji.	W pobliżu nie ma żadnego zestawu nagłownego.	Upewnij się, że w pobliżu jest inny aktywny zestaw nagłowny.
Nie słychać innych użytkowników lub nie można się z nimi komunikować.	Nie korzystasz z częstotliwości NIB odpowiedniej dla regionu, w którym użytkujesz urządzenie.	Wybierz odpowiednią częstotliwość NIB w menu. Patrz „Częstotliwość NIB”.
Nie słychać innych użytkowników lub nie można się z nimi komunikować.	Tryb NIB nie został aktywowany.	Poszukaj i przełącz na żądany tryb za pomocą przycisku PTT. Patrz „Aktywacja funkcji NIB”.

CZYSZCZENIE I KONSERWACJA

Czasze, pałąk i poduszki uszczelniające należy czyścić za pomocą szmatki nasączonej ciepłą wodą z mydłem.

UWAGA! NIE zanurzaj ochronnika słuchu w wodzie! Jeśli ochronnik słuchu namoknie w wyniku deszczu lub potu, odcignij nauszniaki na zewnątrz i zdejmnij poduszki uszczelniające i wkładki piankowe. Po wyschnięciu zamontuj ponownie. Poduszki uszczelniające i wkładki piankowe mogą z czasem

ulegać zużyciu i powinny być regularnie sprawdzane pod kątem ewentualnych pęknięć i innych uszkodzeń. Przy regularnym stosowaniu wkładek piankowych i poduszek uszczelniających firma 3M zaleca wymieniać je co najmniej dwa razy w roku, w celu zachowania odpowiedniego poziomu tłumienia, higieny i komfortu. Jeśli poduszka ulegnie uszkodzeniu, należy ją wymienić. Patrz rozdział Części Zamienne i Akcesoria.

ZDEJMOWANIE I WYMIANA PODUSZEK USZCZELNIAJĄCYCH

F:1 Aby zdjąć poduszkę uszczelniającą, wsuń palce pod krawędź poduszki i pewnym ruchem ściągnij ją.

F:2 Ściągnij obecną wkładkę (wkładki) i włóż nową (nowe).

F:3 Następnie dopasuj jedną stronę poduszki uszczelniającej do rowka w nauszniku i dociśnij drugą stronę, aż do momentu zatrzaśnięcia.

STOSOWANIE TAŚMY OCHRONNEJ DO MIKROFONU

Aby zabezpieczyć mikrofon wysięgnikowy przed działaniem wilgoci i kurzu, należy korzystać z osłony mikrofonowej HYM1000.

Montaż osłony (Rys. G):

G:1 Za pomocą nożyczek odetnij 100 mm taśmy ochronnej do mikrofonu. Usuń papier ochronny.

G:2 Umieść mikrofon na końcu taśmy, jak pokazano na rysunku.

G:3 Nałóż taśmę ochronną i upewnij się, że osłonięty jest cały mikrofon.

G:4 Dociśnij mocno, aby uszczelnić taśmę ochronną.

G:5 Mikrofon jest teraz gotowy do użytku.

CZĘŚCI ZAMienne I AKCESORIA

3M™ PELTOR™ HY68 SV Zestaw higieniczny
Wymienny zestaw higieniczny. Dla zapewnienia odpowiedniego tłumienia, higieny i wygody należy go wymieniać co najmniej dwa razy w roku.

3M™ PELTOR™ HY80-EU Zestaw higieniczny z poduszką żelową

3M™ PELTOR™ HY100A Jednorazowe nakładki ochronne
Łatwe w obsłudze jednorazowe nakładki do ochrony poduszek uszczelniających.

3M™ PELTOR™ MT73 Mikrofon wodoodporny
Wodoodporny mikrofon dynamiczny.

3M™ PELTOR™ M171/2 Osłona przeciwwietrzna do mikrofonu

3M™ PELTOR™ HYM1000 Osłona mikrofonu
Taśma chroniąca mikrofon przed wilgocią i działaniem wiatru.

3M™ PELTOR™ M60/2 Osłona przeciwwietrzna do mikrofonów wychwytyjących dźwięk otoczenia

3M™ PELTOR™ HY450/1 Poduszka pod pałąk
Poduszka stosowana wraz z pałąkiem składanym w przypadku małego rozmiaru głowy.

3M™ PELTOR™ LR03NM Bateria AAA NiMH

GWARANCJA I OGRANICZENIE ODPOWIEDZIALNOŚCI

GWARANCJA: Jeśli jakkolwiek produkt 3M Personal Safety Division zostanie uznany jako posiadający wady materiałowe lub wykonawcze, lub jako niespełniający warunków przyznanej gwarancji, jedynym obowiązkiem i wyłącznym środkiem prawnym leżącym po stronie firmy 3M może być naprawa, wymiana lub zwrot kosztów zakupu części lub produktów poprzedzone terminowym zgłoszeniem szkody przez nabywcę oraz złożeniem pisemnego oświadczenia potwierdzającego, że produkt był przechowywany, konserwowany i eksploatowany zgodnie z instrukcją dostarczoną przez firmę 3M. ZA WYJĄTKIEM ZAKRESU ZABRONIONEGO PRAWEM, NINIEJSZA GWARANCJA JEST WYŁĄCZNA I ZASTĘPUJE JAKĄKOLWIEK INNĄ GWARANCJĘ, WYRAŻONĄ LUB DOMNIEMANĄ, ODNOSZĄCĄ SIĘ DO PRZYDATNOŚCI HANDLOWEJ, PRZYDATNOŚCI DO OKREŚLONYCH CELÓW LUB INNĄ GWARANCJĘ JAKOŚCI, A TAKŻE WSZELKIE GWARANCJE WYNIKAJĄCE Z PRZEBIEGU SPRZEDAŻY, CZYNNOŚCI, Z PRZEPISÓW PRAWA ZWYCZAJOWEGO LUB HANDLOWEGO, ZA WYJĄTKIEM GWARANCJI TYTUŁU I W ODNIESIENIU DO NARUSZENIA PRAW PATENTOWYCH. Firma 3M nie ma obowiązku wypełniać warunków gwarancji względem żadnego ze swoich produktów, jeśli dany produkt został uszkodzony w wyniku niewłaściwego składowania, użytkowania, konserwowania; nie zostały zachowane zasady eksploatacji wyszczególnione w instrukcji obsługi; produkt został zmodyfikowany lub do szkody doszło w wyniku wypadku, zaniedbania lub niewłaściwego użycia.

ORGANICZENIE ODPOWIEDZIALNOŚCI: ZA WYJĄTKIEM ZAKRESU ZABRONIONEGO PRAWEM, FIRMA 3M NIE PONOSI ODPOWIEDZIALNOŚCI ZA ŻADNE BEZPOŚREDNIE, POŚREDNIE, SZCZEGÓLNE, PRZYPADKOWE LUB WYNIKOWE SZKODY (W TYM UTRATĘ ZYSKU) ZWIĄZANE Z UŻYTKOWANIEM NINIEJSZEGO PRODUKTU, BEZ WZGLĘDU NA TEORIĘ PRAWNĄ DOTYCZĄCĄ NALEŻNYCH PRAW. ŚRODKI PRAWNE PRZEDSTAWIONE W NINIEJSZYM OŚWIADCZENIU SĄ WYŁĄCZNE.

MODYFIKACJA URZĄDZENIA: Nie należy dokonywać żadnych modyfikacji urządzenia bez uzyskania pisemnej zgody firmy 3M. Niedozwolone modyfikacje mogą być przyczyną utraty gwarancji oraz prawa użytkownika do korzystania z urządzenia.

UWAGA!

- Nie mieszaj starych i nowych baterii ze sobą.
- Nie mieszaj ze sobą baterii alkalicznych, standardowych i akumulatorów.
- Aby poprawnie zutylizować baterię, postępuj zgodnie z lokalnymi przepisami dotyczącymi usuwania odpadów stałych.
- Używaj wyłącznie baterii AAA jednorazowego użytku lub akumulatorów Ni-MH (stosownie do przypadku).

3M™ PELTOR™ ComTac™ VI NIB Headset MT20H682***N**

INTRODUÇÃO

Muitos parabéns e muito obrigado por ter escolhido as soluções de comunicação 3M™ PELTOR™! Bem-vindo à geração futura da comunicação protetora.

UTILIZAÇÃO PREVISTA

Estes headsets 3M™ PELTOR™ são previstos para oferecer proteção contra níveis de ruído prejudiciais e sons altos, ao mesmo tempo que permitem que o utilizador escute o ambiente circundante através dos microfones estereofônicos, ou a comunicação entre aparelhos ligados e comunicar ao vivo com a tecnologia de comportamento de interação natural (NIB), em níveis altos de ruído constante. Assumimos que todos os utilizadores leram e compreenderam as instruções de utilização entregues, e que estão familiarizados com o uso do aparelho.

IMPORTANTE

Antes de usar, deve ler, compreender e cumprir todas as informações de segurança contidas nestas instruções. Guardar estas instruções para uso futuro. Para obter informações adicionais, ou quaisquer outras questões, por favor contactar os Serviços Técnicos da 3M (contactos listados na última página).



AVISO

Este protetor auricular ajuda a reduzir a exposição a ruídos nocivos e outros sons ruidosos. Uma utilização incorreta, ou a não utilização de protetor auricular sempre que estiver exposto a ruídos prejudiciais, pode resultar em perdas ou lesões auditivas. Para uma utilização adequada, consulte um supervisor, as instruções de utilização ou contacte os Serviços Técnicos da 3M. Se sentir que a sua audição está reduzida depois de estar exposto a ruídos (incluindo disparos de armas), ou se sentir um ruído permanente de besouros ou campainhas nos ouvidos, ou se suspeitar que tem um problema de audição, deve abandonar de imediato o ambiente ruidoso e consultar um profissional de saúde e/ou o seu supervisor.

O não cumprimento destas instruções podem resultar em ferimentos graves ou morte:

- Escutar música, ou outras comunicações áudio, pode reduzir a consciencialização da situação e capacidade de ouvir sinais de aviso. Mantenha-se alerta e ajuste o volume áudio para o nível mais baixo aceitável. A audibilidade dos sinais de aviso de um local de trabalho específico pode ficar prejudicada se estiver a utilizar a unidade de entretenimento.
- Para reduzir os riscos associados a ignições e explosões, não usar este produto em ambientes potencialmente explosivos.

O não cumprimento das instruções seguintes pode reduzir a proteção proporcionada pelo auricular, podendo resultar em perda de audição:

- A ciência sugere que muitos utilizadores recebem uma redução de ruído menor do que o(s) valor(es) de atenuação indicado(s) na embalagem devido a variações no ajustamento, desempenho nos testes feitos e motivação

do utilizador. Consulte os regulamentos aplicáveis para orientação sobre como ajustar os valores da etiqueta e estimar a atenuação. Para além disso, a 3M recomenda fortemente que sejam feitos testes de prova dos protetores auriculares.

- Assegurar que o protetor auricular foi selecionado, provado e ajustado adequadamente, e que foi feita a manutenção apropriada. Um ajustamento inadequado deste aparelho vai reduzir a sua eficácia de redução de ruídos. Consultar as instruções anexas para saber como o ajustar e colocar.
- Inspeccionar cuidadosamente o protetor auricular antes de cada utilização. Se estiver danificado, usar outro protetor auricular sem danos, ou evitar ambientes ruidosos.
- Sempre que seja necessário usar equipamento adicional de proteção individual (por exemplo, óculos de proteção, máscaras, etc.), escolher armações com perfis finos ou fitas, para minimizar interferências com a almofada do auricular. Remover todas as obstruções desnecessárias (afastar cabelos, tirar chapéus, joalheria, auriculares, coberturas de higiene, etc.) que possam interferir com a vedação da almofada e reduzir a proteção do auricular.
- Não dobrar ou moldar a banda da cabeça ou banda de pescoço; assegurar que tem força suficiente para manter o auricular no lugar.
- Os protetores auriculares, em particular as almofadas, podem deteriorar-se com o uso e devem ser examinados regularmente para ver se há rachas ou fugas. Se for usado regularmente, substituir as almofadas e forros de espuma pelo menos duas vezes por ano, para manter uma proteção, higiene e conforto consistentes.
- A potência do circuito elétrico áudio deste protetor auricular pode exceder o limite diário de nível de som. Ajustar o volume áudio para o nível mais baixo aceitável.
- A proteção oferecida pelos auriculares será seriamente prejudicada se estas recomendações não forem seguidas.

EN 352 Declarações de segurança:

- A saída do circuito dependente de nível do protetor auricular pode exceder o nível de som externo.
- Coberturas higiénicas colocadas nos protetores auriculares podem afetar o seu desempenho acústico.
- O desempenho pode deteriorar-se com o uso da bateria. O período típico de uso contínuo previsto para a bateria do auricular é de aproximadamente de:
 - LDF e NIB: 30 horas
 - LDF: 50 horas
- Este produto pode ser afetado negativamente por algumas substâncias químicas. Contactar o fabricante para mais informações.
- Estes protetores auriculares são de tamanhos menores. Protetores auriculares em conformidade com a EN 352-1 são de "tamanhos médio", ou "tamanhos pequenos" ou "tamanhos grandes". Os protetores auriculares de tamanhos médios servem para a maioria dos utilizadores. Protetores auriculares de "tamanhos pequenos" ou "tamanhos grandes", foram concebidos para utilizadores para quem o tamanho médio não serve.
- Este produto não é adequado para níveis altos e contínuos de ruídos de baixa frequência.

CUIDADO:

- Há o risco de explosão caso a bateria seja substituída por um tipo incorreto.
- Usar sempre peças sobressalentes da 3M especificadas para o produto. O uso de peças sobressalentes não autorizadas pode reduzir a proteção oferecida por este produto.

NOTA

- Se usado de acordo com estas instruções de utilização, este protetor auricular ajuda a reduzir a exposição a ruídos contínuos, como sons industriais ou de veículos ou aviões, assim como, a ruídos impulsivos muito altos, como disparos de uma arma. É difícil prever a proteção da audição necessária e/ou atual obtida durante uma exposição a ruídos impulsivos. O desempenho é influenciado pelo disparo, tipo de arma, número de disparos, assim como, a seleção, teste e utilização adequadas do protetor auricular, e outras variáveis. Para saber mais sobre a proteção auricular para ruídos impulsivos, aceder a www.3M.com/hearing.
- Este protetor auricular tem uma atenuação dependente de nível. Antes de usar, o utilizador deve conhecer bem a forma correta de operar. Se forem detetadas distorções ou avarias, o utilizador deve consultar as instruções do fabricante sobre manutenção e substituição das baterias.
- Esta proteção de ouvidos tem entrada para áudio elétrico. Antes de usar, o utilizador deve conhecer bem a forma correta de operar. Se forem detetadas distorções ou avarias, o utilizador deve consultar as instruções do fabricante.
- Taxa de temperatura operacional: -20 °C (-4 °F) a 55 °C (131 °F)
- Taxa de temperatura de armazenagem: -20 °C (-4 °F) a 55 °C (131 °F)
- Peso do protetor auricular: MT20H682FB-**N** = 340 g, MT20H682BB-**N** = 313 g, MT20H682FB-**N** (HY80) = 379 g.
- Prazo de durabilidade: 5 anos, exceto as baterias.

HOMOLOGAÇÕES

A 3M Svenska AB vem por este meio declarar que a comunicação rádio está em conformidade com a diretiva 2014/53/UE, assim como outras diretivas relevantes para cumprir os requisitos da marca CE. A 3M Svenska AB declara também que o headset do tipo EPI está em conformidade com o regulamento (UE) 2016/425 ou a diretiva comunitária 89/686/CEE.

Para determinar a legislação aplicada pode ver a declaração de conformidade (DoC) em www.3M.com/peltor/doc. A DoC também indica se há outras homologações de tipo aplicáveis. Ao recuperar a sua DoC, agradecemos que localize o número do artigo que pretende. O número de artigo do seu protetor auricular encontra-se no fundo de uma das taças. Pode ver um exemplo na figura abaixo.



Estes produtos EPI são fiscalizados anualmente (no caso dos produtos da categoria III) e o seu tipo é aprovado pelo Finnish Institute of Occupational Health, organismo notificado nº 0403, Topeliuksenkatu 41 b, FI-00250 Helsinquia, Finlândia. O produto foi testado e homologado de acordo com EN 352-1:2002, EN 352-4:2001/A1:2005, EN 352-6:2002.

Também pode contactar a 3M no país da compra, para obter uma cópia da DoC e as informações adicionais exigidas nas diretivas. As informações de contacto encontram-se nas últimas páginas destas instruções do utilizador.



Este produto contém componentes elétricos e eletrónicos, que não podem ser descartados em centros de recolha de resíduos domésticos. Consultar as diretivas locais para saber como descartar equipamentos elétricos e eletrónicos.

ATENUAÇÃO EM LABORATÓRIO

A classificação da atenuação (SNR) foi obtida com o aparelho desligado. Explicação das tabelas de atenuação:

Norma europeia EN 352

A ciência sugere que muitos utilizadores recebem uma redução de ruído menor do que o(s) valor(es) de atenuação indicado(s) na embalagem devido a variações no ajustamento, desempenho nos testes feitos e motivação do utilizador. Consulte os regulamentos aplicáveis para orientação sobre como ajustar os valores da etiqueta e estimar a atenuação. Para além disso, a 3M recomenda fortemente que sejam feitos testes de prova dos protetores auriculares.

A:1 Frequência (Hz)

A:2 Atenuação média (dB)

A:3 Desvio padrão (dB)

A:4 Valor de proteção assumido, APV (dB)

A:5

H = estimativa da proteção auditiva para sons de alta frequência ($f \geq 2.000$ Hz).

M = estimativa da proteção auditiva para sons de frequência média (500 Hz < f < 2.000 Hz).

L = estimativa da proteção auditiva para sons de baixa frequência ($f \leq 500$ Hz).

A:6 Níveis de critério

H = Nível de critério para ruídos de alta frequência

M = Nível de critério para ruídos de frequência média

L = Nível de critério para ruídos de baixa frequência

A:7 Norma europeia EN 352-6**Níveis de entrada de áudio externo**

A:8 Nível do sinal de entrada U (mV, RMS)

A:9 Nível médio da pressão de som (dB(A))

A:10 Desvio standard da pressão de som (dB)

A:11 Nível do sinal de entrada em qual o desvio médio padrão mais um é igual a 82 dB(A)

B) Norma Austrália/Nova Zelândia AS/NZS 1270:2002

B:1 Frequência de teste

B:2 Atenuação média, Mean att

B:3 Desvio padrão, St dev
B:4 Média menos SD

COMPONENTES

C:1 Banda da cabeça dobrável
C:2 Braço de apoio da taça
C:3 Fecho de dois pontos
C:4 Taça
C:5 Tapa baterias
C:6 Microfone para escuta estereofônica
C:7 Almofada de amortecimento
C:8 Almofada dos ouvidos
C:9 Cabo de entrada externo (apenas modelos específicos)
C:10 Microfone de fala (apenas em modelos específicos)
C:11 Banda do pescoço
C:12 Entrada para microfone de fala (J22) (apenas em modelos específicos)
C:13 Botão [-] no teclado
C:14 Botão [+] no teclado
C:15 NIB PTT (Premir para falar)

INSTRUÇÕES PARA A PROVA E COLOCAÇÃO

Banda da cabeça

D:1 Deslizar as conchas para fora e inclinar o topo da concha; o cabo deve passar pelo lado de fora da banda de cabeça.
D:2 Ajustar a altura das conchas deslizando-as para cima ou para baixo ao mesmo tempo que segura a banda da cabeça no lugar.
D:3 A banda da cabeça deve ficar posicionada no topo da cabeça, como ilustrado, e deve suportar o peso do headset.

Banda de pescoço

D:4 Colocar as taças no lugar, por cima dos ouvidos.
D:5 Segurar as taças no lugar e colocar a banda no topo da cabeça e fixar no lugar.
D:6 A banda da cabeça deve estar posicionada ao longo do topo da cabeça.

E:1-E:2 Montar o microfone de fala

Para maximizar o desempenho do microfone de fala, deve posicioná-lo muito próximo da boca (menos de 3 mm ou 1/8 polegada).

NOTA: Quando usado em altitudes altas/aviões, a pressão circundante pode ser rapidamente reduzida e afetar a sensibilidade do microfone, como por exemplo, durante uma descida em helicóptero. Se isto acontecer, aproxime o microfone e/ou fale mais alto para aumentar a pressão na membrana do microfone.

INSTRUÇÕES DE OPERAÇÃO

Substituir as baterias (Fig 1)

1-2. Remover as tampas do compartimento e inserir as baterias (2xAAA).
3. A polaridade da bateria deve corresponder às marcas do compartimento da bateria.
4. As tampas devem ser premidas até ao fundo para assegurar uma boa vedação. Nível de carga baixa de bateria é indicado pela mensagem de voz "bateria baixa" repetidamente.

Ligar e desligar o headset (Fig 2)

Para ligar ou desligar o headset, manter premido durante aproximadamente 2 segundos o botão [+] ou [-]. É confirmado por um guia voz. Ao desligar o headset, ficam sempre guardadas as últimas definições.

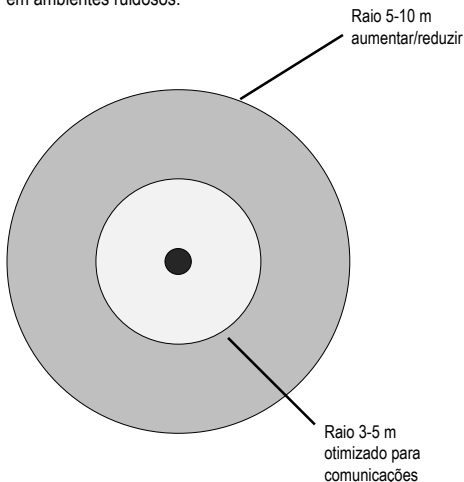
O headset é automaticamente desligado depois de duas horas de inatividade. Durante o último minuto, uma mensagem de voz informa que o headset vai ser desligado. Premir no botão [+] ou [-] para repor o tempo de desligamento de duas horas.

Ajustar o volume (Fig 3)

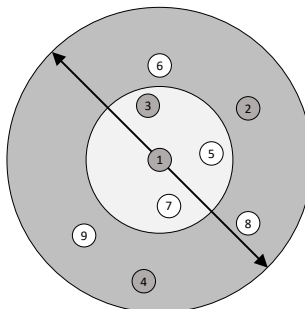
Premir [+] ou [-] para ajustar o volume da escuta estereofônica. Há quatro definições de nível, e também para desligar a escuta estereofônica. As definições máximas são confirmadas com um beep. O modo de escuta estereofônica desligado é confirmado por uma mensagem de voz.

Comunicação ao vivo com tecnologia NIB

NIB permite comunicar ao vivo, dentro de um alcance curto em ambientes ruidosos.



A tecnologia NIB oferece comunicação sem-fios dentro de um raio de 10 m. Comunicação dupla entre até quatro pessoas que estejam no interior deste perímetro.

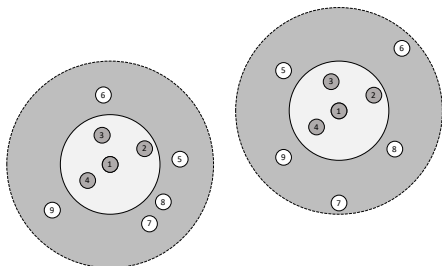


Em ambientes ruidosos, basta aproximar-se da pessoa com

quem pretende falar. O alcance da tecnologia NIB enfraquece ou aumenta suavemente (raio de 5-10 m) para permitir comunicar com pessoas que estejam nas proximidades. Mantenha-se a um raio de 3-5 m para obter um sinal de comunicação otimizado.

Quando os quatro canais de transmissão dupla total (1-4) estão ocupados, os outros utilizadores podem continuar a escutar mas não podem transmitir (5-9). O limite máximo de ouvintes é limitado ao número de pessoas que estão no raio de 10 m, não depende da tecnologia.

NOTA: Se mais de quatro utilizadores tentarem transmitir via NIB, a partir do 5º. utilizador, quem tente transmitir vai escutar beeps, para indicar que a comunicação não foi transmitida.



O grupo NIB a que pertence depende da sua localização e da localização dos headsets NIB.

A NIB funciona quando o ruído ambiental excede cerca de 80 dB, ou quando o ruído é contínuo durante mais de aprox. 1 segundo.

A NIB também funciona em menos de 80 dB; para isso, o utilizador deve premir PTT, em modo PTT ou VOX.

Ativar a NIB (Fig 7)

Premir o PTT duas vezes rapidamente, permite alternar entre NIB PTT ON/NIB OFF/NIB VOX ON.

Mantendo premido o botão NIB PTT permite comunicar num raio de 10 m, com o modo NIB VOX ON e o modo NIB PTT ON.

NIB VOX ON - neste modo, níveis altos de ruído ativam o rádio NIB, permitindo comunicações VOX entre até quatro utilizadores. Premir o botão PTT no modo VOX ON, também permite comunicar em ambientes sem ruído.

Quando o headset está a funcionar em ambientes com ruídos intermitentes, o ruído pode ativar repetidamente a NIB VOX. Nesta situação, pode usar NIB PTT ON.

NIB PTT ON - neste modo, é necessário premir o botão PTT para transmitir.

NIB OFF - este modo DESLIGA o rádio NIB. Com NIB OFF não é emitido nenhum sinal de frequência rádio (RF) do rádio NIB.

Push-to-talk (premir para falar) para NIB (Fig 8)

Premir e manter premido o PTT na taça esquerda para transmitir através de NIB.

Aceder ao menu (Fig 4)

1. Manter premido o botão [+] e [-] para aceder ao menu. É confirmado por uma voz.
2. Premir o botão [-] rapidamente para navegar no menu. Os passos do menu estão listados abaixo.
3. Usar o botão [+] para alterar uma definição e caso esteja disponível, navegar entre as definições disponíveis. Uma mensagem de voz confirma cada passo, seguido da definição atual. As alterações são também confirmadas por uma mensagem de voz. Depois de alguns segundos sem atividade, o menu volta ao modo de volume. Premir [+] e [-] para aceder instantaneamente ao volume de qualquer passo do menu.

Ambient/Environmental listening mode (Modo de escuta estereofónica)

O modo de escuta estereofónica está disponível no modo clássico e avançado. O modo clássico permite ajustar o volume em quatro passos, para aumentar ou reduzir o nível de som da escuta estereofónica. O modo avançado inclui quatro pré-definições otimizadas para diferentes perfis de som.

Definição	Utilização prevista
Modo avançado 1 (Conforto)	Para maior conforto em ambientes muito ruidosos.
Modo avançado 2 (Conversação)	Para uma experiência áudio natural, onde é necessário ter proteção contra ruídos repentinos.
Modo avançado 3 (Patrulha)	Para estar mais consciente da situação ao passar por um ambiente de ruído baixo.
Modo avançado 4 (Vigilância)	Para estar bastante consciente da situação ao passar por um ambiente sem ruído.

Battery (Baterias)

Escolher o mesmo tipo de bateria que está a usar no headset, ou seja, alcalinas ou recarregáveis.

Wireless input (Entrada sem-fios)

1. Seguir as instruções para o 3M™ PELTOR™ TEP-LOOP.* para montar o arco do pescoço.
2. Aceder ao menu do headset para ajustar a entrada sem-fios e a sensibilidade para corresponder ao arco de pescoço ligado. Escolher Off/Low/Medium/High (Desligado/Baixo/Médio/Alto).
3. Ajustar o volume do rádio externo caso seja necessário.

NOTA: O volume pode ser diferente dependendo da distância entre o headset e o arco do pescoço.

Wired input (Entrada com ligação por fios)

Ajustar a entrada com ligação por fios e a respetiva sensibilidade para corresponder ao aparelho ligado. Escolher Low/High (Baixo/Alto).

Balance (Balance)

A definição de Balance ajusta o equilíbrio do volume entre o

ouvido direito e o esquerdo. Há sete definições de nível: Center, Left 1, Left 2, Max left, Max right, Right 2, Right 1 (Centro, Esquerda 1, Esquerda 2, Esquerda máx, Direita máx, Direita 2, Direita 1).

Warning signals (Sinais de aviso)

A definição de sinal de aviso desativa/ativa os sinais de aviso de "low battery" (bateria baixa) e "automatic power off" (desligamento automático). Se desligado, estes sinais não serão escutados.

Automatic power off (Desligamento automático)

A definição do desligamento automático desativa/ativa a função de desligamento automático.

NIB frequency (Frequência NIB)

Para América do Norte, Austrália e Nova Zelândia, a frequência NIB é 915 MHz.

Para a Europa, a frequência NIB é 864 MHz.

Escolha a frequência NIB, 864 MHz (EU) ou 915 MHz (NA, ANZ). Premir [+] para selecionar e manter premido [+] para confirmar a escolha.

NOTA: Assegurar que está a usar uma frequência aprovada para a região onde está a operar.

Factory reset (Reposição de fábrica)

Repõe todas as definições do menu para todos os valores de fábrica. É necessário confirmar esta definição; premir em [+] quando a voz disser "confirm factory reset" (confirmar reposição de definições de fábrica).

SOLUCIONAR FALHAS SIMPLES NA NIB

Problema	Causas possíveis	Sugestão
O headset emite um beep durante a transmissão.	Canal NIB ocupado por quatro pessoas.	Aguardar até haver um lugar disponível.
O headset emite um beep durante a transmissão.	Não há outro headset no perímetro.	Assegurar que há outro headset em uso no perímetro.
Não consegue escutar nem comunicar com outros.	Não está a usar a frequência NIB correta para a região onde está a operar.	Escolher a frequência NIB correta no menu. Ver Frequências NIB.
Não consegue escutar nem comunicar com outros.	A NIB não está ativada.	Alternar entre os diversos modos com o botão PTT. Ver Ativar NIB.

LIMPEZA E MANUTENÇÃO

Usar um pano húmido com sabão e água morna para limpar as conchas exteriores, banda da cabeça e almofadas dos ouvidos.

NOTA: NÃO mergulhar o protetor auricular em água. Se o protetor auricular ficar molhado, pela chuva ou por transpiração, rodar as almofadas dos ouvidos para fora, removê-las junto com os forros da espuma e deixar secar antes de voltar a montar. As almofadas e forros da espuma podem deteriorar-se com o uso e devem por isso ser examinadas regularmente para ver se têm rachas ou outros danos. Se usado regularmente, a 3M recomenda que os forros da espuma e as almofadas dos ouvidos sejam substituídos pelo menos duas vezes por ano, para manter uma atenuação consistente, higiene e conforto. Substituir almofadas dos ouvidos que estejam danificadas. Ver a secção de peças sobressalentes abaixo.

REMOVER E SUBSTITUIR AS ALMOFADAS DOS OUIDOS

F:1 Deslizar os dedos por baixo do canto interior da almofada dos ouvidos e puxar para fora com firmeza.

F:2 Remover o(s) forro(s) existente(s) e inserir o(s) forro(s) novo(s).

F:3 Encaixar uma das almofadas de ouvido na ranhura da taça de ouvido e premir no lado oposto até a almofada encaixar no lugar.

APLICAR A FITA PROTETORA DE MICROFONE

Utilizar o protetor de microfone HYM1000 para proteger o microfone de fala de humidade e sujidades.

Fixar o protetor (Fig G):

G:1 Com uma tesoura cortar 100 mm da fita protetora do microfone. Remover o papel de proteção.

G:2: Colocar o microfone na extremidade da fita, como ilustrado na imagem.

G:3 Dobrar a fita protetora, assegurar que o microfone fica coberto.

G:4 Premir bem para selar a fita protetora.

G:5 O microfone está pronto a ser usado.

PEÇAS SOBRESSALENTES E ACESSÓRIOS

3M™ PELTOR™ HY68 SV Kit higiene

Kit higiene substituível. Substituir pelo menos duas vezes por ano para assegurar uma atenuação, higiene e conforto constantes.

3M™ PELTOR™ HY80-EU Almofada de gel do kit higiene

3M™ PELTOR™ HY100A Protetores de utilização única
Um protetor de utilização única que é fácil de aplicar às almofadas dos ouvidos.

3M™ PELTOR™ MT73 Microfone à prova de água
Microfone de fala dinâmico à prova de água.

3M™ PELTOR™ M171/2 Paravento para microfone

3M™ PELTOR™ HYM1000 Protetor de microfone
Fita anti-humidade e resistente ao vento que protege

o microfone de fala.

3M™ PELTOR™ M60/2 Paravento para microfones estereofônicos

3M™ PELTOR™ HY450/1 Almofada da cabeça
Para ser usado para tamanhos pequenos com as bandas de cabeça dobráveis.

3M™ PELTOR™ LR03NM Bateria AAA NiMH

GARANTIA E LIMITES DE RESPONSABILIDADE

GARANTIA: No caso de ser detetado que um produto da 3M Personal Safety Division tem defeitos de material, mão-de-obra ou que não esteja em conformidade com o exposto na garantia para um objetivo específico, a única obrigação da 3M e a sua única solução é a escolha da 3M de reparar, substituir ou reembolsar o preço de compra das peças ou produtos, após uma notificação atempada e envio de comprovativos que o produto foi armazenado, mantido e utilizado de acordo com as instruções escritas da 3M. **EXCETO EM INSTÂNCIAS PROIBIDAS PELA LEI, ESTA GARANTIA É EXCLUSIVA E ABRANGE QUAISQUER GARANTIAS IMPLÍCITAS OU EXPRESSAS DA SUA MERCANTIBILIDADE E ADEQUABILIDADE PARA UM OBJETIVO ESPECÍFICO, OU OUTRAS CARACTERÍSTICAS DA GARANTIA, OU QUE OCORRAM NO DECURSO DA NEGOCIAÇÃO, TRADIÇÃO OU USO DE COMÉRCIO, EXCETO NO TÍTULO E CONTRA INFRAÇÕES DA PATENTE.** Sob esta garantia, a 3M não tem obrigação no que respeita a qualquer produto que tenha falhado devido a armazenagem, manuseamento ou manutenção inadequados ou inapropriados; o não cumprimento das instruções do produto; ou alteração ou danos ao produto causados por acidente, negligência ou utilização indevida.

LIMITE DA RESPONSABILIDADE EXCETO ONDE PROIBIDO POR LEI, A 3M NÃO É RESPONSÁVEL SOB QUALQUER CIRCUNSTÂNCIA POR QUAISQUER PERDAS DIRETAS, INDIRETAS, ESPECIAIS, INCIDENTAIS OU CONSEQUÊNCIAS (INCLUÍDO PERDA DE LUCROS) QUE OCORRAM DEVIDO AO PRODUTO, INDEPENDENTE DA TEORIA LEGAL RECLAMADA. AS SOLUÇÕES AQUI DESCRITAS SÃO EXCLUSIVAS.

MODIFICAÇÕES: Não são permitidas modificações a este aparelho sem uma autorização expressa da 3M Company. Modificações não autorizadas podem invalidar a garantia e a autoridade do utilizador para usar o aparelho.

NOTA:

- Não misturar baterias antigas com baterias novas.
- Não misturar baterias alcalinas, standard ou recarregáveis.
- Seguir a legislação local sobre a eliminação de resíduos sólidos para descartar adequadamente as baterias.
- Usar apenas baterias AAA não-recarregáveis ou NiMH recarregáveis (conforme aplicável).

3M™ PELTOR™ ComTac™ VI NIB Headset MT20H682**.*N**

INTRODUCERE

Felicitați și vă mulțumim pentru alegerea soluțiilor de comunicare 3M™ PELTOR™! Vă prezentăm generația următoare de comunicații de protecție.

UTILIZAREA PREVĂZUTĂ

Aceste căști 3M™ PELTOR™ sunt destinate protecției împotriva nivelurilor dăunătoare de zgomot și sunetelor puternice, permițând utilizatorului să audă sunetele din jur datorită microfonului ambiant/de exterior, să asculte dispozitivele de comunicare conectate și să comunice față în față cu ajutorul tehnologiei de Interacțiune comportamentală naturală (NIB) la niveluri înalte de zgomot stabil. Este de așteptat ca toți utilizatorii să citească și să înțeleagă instrucțiunile de utilizare furnizate și să se familiarizeze cu utilizarea dispozitivului.

IMPORTANT

Vă rugăm ca înainte de utilizare să citiți, să înțelegeți și să respectați toate informațiile referitoare la siguranță din aceste instrucțiuni. Păstrați aceste instrucțiuni pentru a le consulta mai târziu. Pentru informații suplimentare sau orice fel de întrebări, contactați Serviciile Tehnice 3M (informațiile de contact sunt precizate pe ultima pagină).



AVERTISMENT

Aceste protecții pentru auz ajută la reducerea expunerii la zgomote periculoase și la alte sunete puternice. Utilizarea greșită sau neutilizarea permanentă a protecției pentru auz, atunci când vă expuneți la zgomote periculoase, poate provoca pierderea auzului sau leziuni. Pentru o utilizare corectă, consultați supervisorul și instrucțiunile de utilizare sau contactați Serviciile Tehnice 3M. Dacă vi se pare că aveți auzul slab sau dacă auziți un țârăit sau un bâzăit în timpul sau ulterior expunerii la zgomot (inclusiv focuri de armă) sau din orice alt motiv suspectați o problemă auditivă, părăsiți imediat mediul zgomotos și consultați un medic și/sau supervisorul.

Nerespectarea acestor instrucțiuni poate provoca rănire gravă sau deces:

- Ascultarea muzicii sau a altor comunicații audio poate reduce vigilența și capacitatea de a auzi semnale de avertizare. Rămâneți vigilenți și reglați volumul la cel mai scăzut nivel acceptabil. Audibilitatea semnalelor de avertizare la un anumit loc de muncă poate fi afectată în timpul utilizării funcției de divertisment.
- Pentru a reduce riscurile asociate cu producerea unei explozii, nu utilizați acest produs într-o atmosferă potențial explozivă.

Nerespectarea acestor instrucțiuni poate reduce protecția oferită de adaptoarele auriculare și poate provoca pierderea auzului:

- Cercetările sugerează că utilizatorii pot beneficia de mai puțină reducere a zgomotului decât este indicat prin valorile de atenuare de pe ambalaj, din cauza variațiilor în potrivire, capacitatea de potrivire și motivația utilizatorului. Consultați

reglementările aplicabile pentru informații despre ajustarea valorilor de pe etichete și atenuarea estimată. În plus, 3M recomandă insistent probarea protecțiilor auditive, pentru a verifica dacă se potrivesc.

- Protecția pentru auz trebuie aleasă, fixată, reglată și întreținută corespunzător. Fixarea incorectă a acestui dispozitiv îi reduce capacitatea de a atenua zgomotul. Consultați instrucțiunile care îl însoțesc pentru a afla cum trebuie să îl fixați.
- Inspectați protecția pentru auz înainte de fiecare utilizare. Dacă este defectă, alegeți o altă protecție pentru auz intactă sau evitați mediul zgomotos.
- Când sunt necesare echipamente de protecție suplimentare (de exemplu, ochelari de protecție măști, etc.), alegeți brațe sau curele de ochelari flexibile și cu o formă discretă, pentru a deranja cât mai puțin pernețele adaptoarelor auriculare. Scoateți toate articolele nenecesare (de exemplu, strângeți-vă părul, scoateți pălăriile, bijuteriile, căștile, capace igienice etc.) care ar putea afecta etanșeitatea pernețelor adaptoarelor auriculare și reduce nivelul de protecție.
- Nu îndoiți sau deformați banda pentru cap sau pentru gât și asigurați-vă că acestea are suficientă forță pentru a ține adaptoarele auriculare fixate.
- Adaptoarele auriculare și, în special, pernețele pentru urechi, se pot deteriora în cursul utilizării și trebuie examinate la intervale frecvente, pentru a vedea dacă există fisuri sau pierderea izolării acustice, de exemplu. Când sunt utilizate în mod regulat, înlocuiți pernețele de urechi și căptușelile de spumă cel puțin de două ori pe an, pentru a menține un nivel constant de protecție, igienă și confort.
- Puterea circuitului audio electric al acestei protecții pentru auz poate depăși limita zilnică a nivelului de sunet. Reglați volumul la cel mai scăzut nivel acceptabil.
- În cazul nerespectării cerințelor de mai sus, protecția oferită de adaptoarele auriculare va fi grav afectată.

Declarații privind siguranța, conform EN 352:

- Puterea circuitului dependent de nivel al acestei protecții pentru auz poate depăși nivelul acustic extern.
- Fixarea capacelor igienice pentru pernețe poate afecta performanța acustică a adaptoarelor auriculare.
- Performanțele se pot diminua pe măsura consumării bateriei. Perioada tipică de utilizare continuă preconizată pentru bateria adaptorului auricular este de aproximativ:
 - LDF și NIB: 30 de ore
 - LDF: 50 de ore
- Acest produs poate fi afectat negativ de anumite substanțe chimice. Solicitați mai multe informații de la producător.
- Aceste adaptoare auriculare fac parte din gama de dimensiune mică. Adaptoarele auriculare conforme cu EN 352-1 fac parte din „gama de dimensiune medie”, din „gama de dimensiune mică” sau din „gama de dimensiune mare”. Adaptoarele auriculare din gama de dimensiune medie sunt potrivite pentru cei mai mulți utilizatori. Adaptoarele auriculare din „gama de dimensiune mică” sau „gama de dimensiune mare” sunt concepute să se potrivească utilizatorilor pentru care adaptoarele auriculare din gama de dimensiune medie nu sunt adecvate.
- Acest produs este potrivit pentru niveluri înalte de zgomot continuu cu frecvență joasă.

ATENȚIE

- Există riscul de explozie în cazul înlocuirii bateriei cu una de tip incorect.
- Utilizați întotdeauna piese de schimb speciale produsele 3M. Utilizarea pieselor de schimb neautorizate poate reduce protecția oferită de acest produs.

NOTĂ

- Atunci când este purtată conform acestor instrucțiuni de utilizare, această protecție pentru auz ajută la reducerea expunerii atât la zgomotele permanente, cum ar fi zgomotele industriale sau cele emise de vehicule și avioane, cât și la zgomotele foarte puternice de impuls, precum focurile de armă. Este dificil de estimat nivelul de protecție auditivă necesar și/sau real care se obține în timpul expunerii la zgomotele de impuls. În cazul focurilor de armă, performanțele sunt influențate de: tipul de armă, numărul de focuri trase, alegerea, fixarea și utilizarea corectă a protecției, îngrijirea adecvată a protecției pentru auz și alte variabile. Pentru a afla mai multe despre protejarea auzului împotriva zgomotelor de impuls, accesați www.3M.com/hearing.
- Aceste adaptoare auriculare permit atenuarea în funcție de nivel. Înainte de utilizare, purtătorul trebuie să verifice dacă aceasta funcționează corect. Dacă se detectează distorsiuni sau defecțiuni, utilizatorul trebuie să consulte recomandările producătorului privind întreținerea și înlocuirea bateriilor.
- Aceste adaptoare auriculare sunt prevăzute cu intrare audio electrică. Înainte de utilizare, purtătorul trebuie să verifice dacă aceasta funcționează corect. Dacă este detectată o distorsiune sau o defecțiune, purtătorul trebuie să consulte recomandările producătorului.
- Temperatura de lucru: de la $-20\text{ }^{\circ}\text{C}$ ($-4\text{ }^{\circ}\text{F}$) până la $55\text{ }^{\circ}\text{C}$ ($131\text{ }^{\circ}\text{F}$)
- Temperatura de depozitare: de la $-20\text{ }^{\circ}\text{C}$ ($-4\text{ }^{\circ}\text{F}$) până la $55\text{ }^{\circ}\text{C}$ ($131\text{ }^{\circ}\text{F}$)
- Greutatea dispozitivului de protecție auditivă: MT20H682FB-**N** = 340 g, MT20H682BB-**N** = 313 g, MT20H682FB-**N** (HY80) = 379 g.
- Durată de conservare: 5 ani, cu excepția bateriilor.

APROBĂRI

Prin prezenta, 3M Svenska AB declară că dispozitivul de comunicare radio respectă Directiva 2014/53/UE și alte directive corespunzătoare pentru îndeplinirea cerințelor pentru marcajul CE. 3M Svenska AB declară, de asemenea, că această cască tip EIP respectă Regulamentul (UE) 2016/425 sau Directiva comunitară 89/686/CEE.

Legislația aplicabilă poate fi identificată prin consultarea Declarației de conformitate la www.3M.com/peltor/doc. Declarația de conformitate va indica dacă alte aprobări tip sunt, de asemenea, aplicabile. Când salvați Declarația de conformitate, localizați codul piesei. Codul de piesă al adaptoarelor auriculare poate fi găsit pe partea inferioară a uneia dintre calote. Un exemplu este ilustrat în imaginea de mai jos.



PPE este auditat anual (dacă sunt produse din Categoria III) și aprobat tip de către Finnish Institute of Occupational Health (Institutul Finlandez pentru Medicina Muncii), organism notificat nr. 0403, Topeliuksenkatu 41 b, FI-00250 Helsinki, Finlanda. Produsul a fost testat și aprobat în conformitate cu standardele EN 352-1:2002, EN 352-4:2001/A1:2005, EN 352-6:2002.

O copie a Declarației de conformitate și alte informații suplimentare impuse de Directive se pot obține, de asemenea, contactând compania 3M din țara de achiziție. Pentru informații de contact, consultați ultimele pagini ale acestor instrucțiuni de utilizare.



Acest produs conține componente electrice și electronice și nu se elimină împreună cu gunoii menajer. Vă rugăm să consultați directivele locale pentru a afla cum se elimină echipamentele electrice și electronice.

ATENUAREA ÎN LABORATOR

Clasificarea de atenuare a zgomotului (SNR) a fost obținută cu dispozitivul oprit. Explicarea tabelelor cu date despre atenuare:

Standardul european EN 352

Cercetările sugerează că utilizatorii pot beneficia de mai puțină reducere a zgomotului decât este indicat prin valorile de atenuare de pe ambalaj, din cauza variațiilor în potrivire, capacitatea de potrivire și motivația utilizatorului. Consultați reglementările aplicabile pentru informații despre ajustarea valorilor de pe etichete și atenuarea estimată. În plus, 3M recomandă insistent probarea protecțiilor auditive, pentru a verifica dacă se potrivesc.

A:1 Frecvență (Hz)

A:2 Atenuare medie (dB)

A:3 Abatere standard (dB)

A:4 Valoare de protecție presupusă, APV (dB)

A:5

H = Estimarea nivelului de protecție a auzului în cazul sunetelor de înaltă frecvență ($f \geq 2.000\text{ Hz}$).

M = Estimarea nivelului de protecție a auzului în cazul sunetelor de frecvență medie ($500\text{ Hz} < f < 2.000\text{ Hz}$).

L = Estimarea nivelului de protecție a auzului în cazul sunetelor de joasă frecvență ($f \leq 500\text{ Hz}$).

A:6 Nivel criteriu

H = Nivel criteriu pentru zgomot de înaltă frecvență

M = Nivel criteriu pentru zgomot de frecvență medie

L = Nivel criteriu pentru zgomot de frecvență joasă

A:7 Nivelul de intrare audio externe standard european EN 352-6

- A:8 Nivel semnal de intrare U (mV, RMS)
- A:9 Nivel de presiune sonoră medie (dB(A))
- A:10 Abatere standard presiune sonoră (dB)
- A:11 Nivel de semnal de intrare pentru care abaterea medie standard plus o unitate este egală cu 82 dB(A)

- B) Standardul Australia/Noua Zeelandă AS/NZS 1270:2002
- B:1 Frecvență de testare
- B:2 Atenuare medie, Mean att
- B:3 Abatere standard, St dev
- B:4 Abatere medie minus standard

COMPONENTE

- C:1 Banda pentru cap pliabilă
- C:2 Braț susținere calotă
- C:3 Dispozitive de prindere în două puncte
- C:4 Calotă
- C:5 Capac baterie
- C:6 Microfon pentru funcția de ascultare a sunetelor ambiante
- C:7 Pernuță atenuatoare
- C:8 Pernuțe de urechi
- C:9 Cablu pentru intrarea externă (doar pentru anumite modele)
- C:10 Microfon (doar pentru anumite modele)
- C:11 Bandă pentru gât
- C:12 Intrare pentru microfon (J22) (doar pentru anumite modele)
- C:13 Buton [-] pe tastatură
- C:14 Buton [+] pe tastatură
- C:15 NIB PTT

INSTRUCȚIUNI DE FIXARE

Banda pentru cap

- D:1 Glisați calotele în afară și înclinați partea superioară a carcasei spre exterior, întrucât cablul trebuie să se afle pe partea exterioară a benzii pentru cap.
- D:2 Ajustați înălțimea calotelor glisându-le în sus sau în jos în timp ce țineți banda pentru cap pe loc.
- D:3 Banda de susținere trebuie să fie poziționată în partea de sus a capului ca în imagine și ar trebui să susțină greutatea căștii.

Bandă pentru gât

- D:4 Așezați calotele peste urechi.
- D:5 Mențineți calotele în aceeași poziție, așezați banda pentru cap pe creștetul capului și fixați-o strâns în poziție.
- D:6 Banda pentru cap trebuie să fie poziționată pe creștetul capului.

E:1-E:2 Montarea microfonului pentru voce

Pentru a maximiza performanța microfonului pentru voce în zone zgomotoase, acesta trebuie poziționat foarte aproape de gură (sub 3 mm sau 1/8 inchi).

NOTĂ: Atunci când este utilizat la altitudini înalte/în aviație, presiunea ambientală poate fi redusă rapid și poate afecta sensibilitatea microfonului, de exemplu, în timpul ascensiunii elicopterului. Dacă se întâmplă acest lucru, poziționați microfonul

mai aproape și/sau vorbiți mai tare pentru a crește presiunea asupra membranei microfonului.

INSTRUCȚIUNI DE UTILIZARE

Încuirea bateriilor (Fig 1)

- 1-2. Scoateți capacele compartimentului de baterii și introduceți bateriile (2xAAA).
3. Polaritatea bateriilor trebuie să corespundă marcajului din compartimentul bateriilor.
4. Capacele trebuie să fie apăsată ferm până la capăt pentru a asigura etanșarea. Nivelul redus al bateriilor este indicat de un mesaj vocal repetat: „low battery” (baterie slabă).

Pornirea și oprirea căștilor (Fig 2)

Pentru a porni/opri căștile, apăsați și mențineți apăsat aproximativ două secunde butonul [+] sau [-]. Un ghid vocal va confirma. Setarea curentă este salvată întotdeauna când căștile sunt oprite.

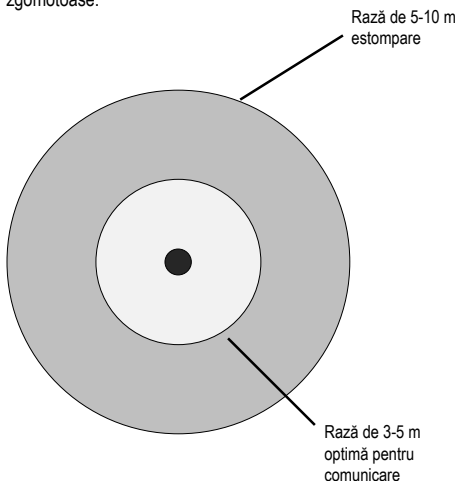
Căștile sunt oprite automat după două ore de inactivitate. Acest lucru este indicat printr-un mesaj vocal în ultimul minut anterior închiderii căștilor. Apăsarea butonului [+] sau [-] va reseta perioada de două ore.

Reglarea volumului (Fig. 3)

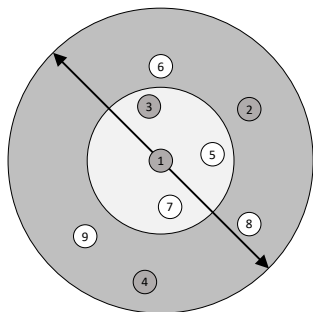
Apăsați [+] sau [-] pentru a regla volumul recepționării zgomotelor ambiante. Există patru setări de nivel, precum și funcția de oprire a recepționării zgomotelor ambiante. Setările maxime sunt confirmate de un semnal sonor. Modul Recepționarea zgomotelor ambiante oprită este confirmat de un mesaj vocal.

Comunicare față în față cu ajutorul tehnologiei NIB

NIB permite comunicarea față în față la o distanță mică, în medii zgomotoase.



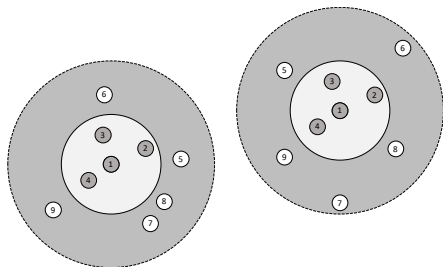
Tehnologia NIB permite comunicarea wireless într-o rază de 10 m. Comunicare duplex completă pentru până la patru oameni în această rază.



În mediile zgomotoase, pur și simplu apropiați-vă de persoane cu care doriți să vorbiți. Tehnologia NIB sa va estompa ușor (rază de 5-10 metri) și va permite comunicarea cu persoanele aflate în apropiere. Rămâneți la distanță de 3-5 m pentru un semnal de comunicare optim.

Când cele patru canale de transmisie duplex complet sunt ocupate (1-4), alți utilizatori pot asculta, dar nu pot transmite (5-9). Limita superioară a ascultătorilor este determinată de numărul persoanelor care se pot afla într-o rază de 10 m mai mult decât de numărul permis de tehnologia în sine.

NOTĂ: Atunci când se încearcă transmiterea de către mai mult de patru utilizatori prin NIB, al cincilea și următorii utilizatori vor auzi semnale sonore, indicând eșecul transmisiei.



Grupul de care aparține NIB depinde de localizarea dvs. și a celorlalte căști NIB.

NIB funcționează când nivelul de zgomot ambiant depășește aprox. 80 dB și dacă zgomotul depășește durata de aprox. 1 secundă.

NIB funcționează și dacă nivelul de zgomot este sub 80 dB și dacă utilizatorul apasă PTT în modul PTT sau VOX.

Activarea NIB (Fig 7)

Apăsând de două ori rapid pe PTT va comuta între NIB PTT PORNIT/NIB OPRIT/NIB VOX PORNIT.

Menținând apăsat butonul NIB PTT, este posibilă comunicarea într-o rază de 10 m în modul NIB VOX PORNIT și NIB PTT PORNIT.

NIB VOX PORNIT - În acest mod, nivelurile crescute de zgomot vor activa radio-ul NIB și se permite comunicarea VOX pentru maximum patru utilizatori. Apăsând butonul PTT în modul VOX PORNIT permite comunicarea și în mediile lipsite de zgomot.

Când căștile funcționează în medii cu zgomot intermitent, zgomotul poate activa NIB VOX în mod repetat. În acest caz, puteți folosi NIB PTT PORNIT.

NIB PTT PORNIT - În acest mod, butonul PTT trebuie apăsat pentru a se efectua transmisia.

NIB OPRIT - Acest mod OPREȘTE radio-ul NIB. În modul NIB OPRIT, nu sunt emise semnale RF de la radio NIB.

Push-To-Talk (apăsați pentru a vorbi) NIB (Fig 8)

Apăsați și mențineți apăsat butonul PTT de pe calota stângă pentru a transmite prin NIB.

Accesarea meniului (Fig 4)

1. Apăsați și mențineți apăsat butonul [+] și [-] pentru a accesa meniul. Un mesaj vocal va confirma.
2. Apăsați scurt butonul [-] pentru a parcurge meniul. Treptele de meniu sunt prezentate mai jos.
3. Utilizați butonul [+] pentru a modifica setarea și, dacă este disponibil, pentru a naviga prin setările disponibile. Un mesaj vocal confirmă fiecare etapă, urmată de setarea actuală. Modificările sunt, de asemenea, confirmate printr-un mesaj vocal. După câteva secunde de inactivitate, meniul revine la modul pentru volum. Apăsând pe [+] și [-], setarea volumului poate fi accesată instantaneu din orice treaptă a meniului.

Ambient/Environmental listening mode (Mode de recepționare a zgomotelor ambiante)

Modul de recepționare a zgomotelor ambiante este disponibil în mod clasic și avansat. Modul clasic permite reglarea volumului în patru trepte crescând sau scăzând nivelul de sunet al recepționării zgomotelor ambiante. Modul avansat include patru setări optimizate pentru diferite profiluri de sunet.

Setare	Utilizarea corespunzătoare
Mod Avansat 1 (Confort)	Pentru confort în mediu zgomotos
Mod Avansat 2 (Conversație)	Pentru o experiență audio naturală, când este necesară protecția împotriva zgomotelor neașteptate.
Mod Avansat 3 (Patrolare)	Pentru conștientizare crescută a mediului înconjurător atunci când vă aflați într-un mediu cu zgomot redus.
Mod Avansat 4 (Supraveghere)	Pentru conștientizare puternică a mediului înconjurător în medii silențioase.

Battery (Baterie)

Alegeți tipul de baterie folosit în căști, alcaline sau reîncărcabile.

Wireless input (Intrare wireless)

1. Respectați instrucțiunile de utilizare pentru 3M™ PELTOR™ TEP-LOOP.* pentru a regla bucla pentru gât.
2. Intrați în meniul căștilor pentru a regla intrarea wireless și sensibilitatea astfel încât să corespundă buclei pentru gât

conectate. Alegeți Oprit/Redus/Mediu/Înalt (Off/Low/Medium/High).

3. Reglați volumul de la radioul extern dacă este necesar.

NOTĂ: Volumul poate fi diferit, în funcție de distanța dintre căști și bucla pentru gât.

Wired input (Intrare prin cablu)

Reglați intrarea prin cablu și sensibilitatea pentru a corespunde dispozitivului conectat prin cablu. Alegeți Redus/Înalt (Low/High).

Balance (Balans)

Această setare reglează echilibrul volumului între urechea dreaptă și cea stângă. Există șapte setări de nivel: Centru, Stânga 1, Stânga 2, Maxim stânga, Maxim dreapta, Dreapta 2, Dreapta 1 (Center, Left 1, Left 2, Max left, Max right, Right 2, Right 1).

Warning signals (Semnalele de avertizare)

Setarea semnalului de avertizare activează/dezactivează semnalele de avertizare „low battery” (nivel redus baterie) și „automatic power off” (oprire automată). La oprire, nu se va auzi niciunul din aceste semnale de avertizare.

Automatic power off (Oprirea automată)

Setarea opririi automate activează/dezactivează funcția de oprire automată.

NIB frequency (Frecvență NIB)

Pentru America de Nord, Australia și Noua Zeelandă, frecvența NIB este de 915 MHz.

Pentru Europa, frecvența NIB este de 864 MHz.

Alegeți frecvența NIB, 864 MHz (EU) sau 915 MHz (NA, ANZ). Apăsăți [+] pentru a selecta și mențineți apăsat [+] pentru a confirma opțiunea.

NOTĂ: Asigurați-vă că folosiți frecvența corespunzătoare regiunii dumneavoastră.

Factory reset (Resetarea la setările din fabrică)

Resetează toate setările meniului înapoi la valorile implicite din fabrică. Această setare trebuie confirmată apăsând pe [+] atunci când se aude mesajul „confirm factory reset” (confirmați revenirea la setările din fabrică).

DEPANARE NIB

Problemă	Cauze posibile	Sugestii
Căștile emit un semnal sonor în timpul transmisiei.	Canal NIB ocupat de patru persoane.	Așteptați eliberarea unui canal.
Căștile emit un semnal sonor în timpul transmisiei.	Nicio altă cască în perimetru.	Asigurați-vă că există o altă cască în funcțiune în perimetru.

Problemă	Cauze posibile	Sugestii
Nu se aude sau nu se poate comunica cu alte persoane.	Nu se folosește frecvența NIB corespunzătoare pentru regiunea dumneavoastră.	Alegeți frecvența NIB corespunzătoare din meniu. Consultați Frecvența NIB.
Nu se aude sau nu se poate comunica cu alte persoane.	NIB nu este activat.	Comutați între diferite moduri cu ajutorul butonului PTT. Consultați Activarea NIB.

CURĂȚARE ȘI ÎNTREȚINERE

Utilizați o lavetă umezită cu apă caldă și săpun pentru a curăța carcasa exterioară, banda pentru cap și pernuțele pentru urechi.

NOTĂ: NU introduceți protecția pentru auz în apă. Dacă protecția pentru auz se umezește de la ploaie sau transpirație, rotiți adaptoarele auriculare spre exterior, înlăturați pernuțele de urechi și căptușeliile din spumă, apoi lăsați-le să se usuce înainte de reasamblare. Adaptoarele auriculare și căptușeliile din spumă se pot deteriora în cursul utilizării și trebuie examinate la intervale regulate, pentru a vedea dacă există fisuri sau alte deteriorări. În cazul utilizării regulate, 3M recomandă înlocuirea căptușeliilor din spumă și a pernuțelor de urechi cel puțin de două ori pe an pentru a menține o atenueare, igienă și confort constante. Dacă o pernuță pentru urechi s-a deteriorat, aceasta trebuie înlocuită. Consultați secțiunea Piese de schimb de mai jos.

ÎNDEPĂRTAREA ȘI ÎNLOCUIREA PERNUȚELOR DE URECHI

F:1 Pentru a scoate pernuța pentru ureche, introduceți degetele sub marginea interioară a pernuței și trageți direct în afară cu fermitate.

F:2 Îndepărtați căptușeala existentă și introduceți o căptușeală nouă din spumă.

F:3 Montați o parte a pernuței pentru ureche în canalul cupei și apoi apăsați pe partea opusă până când se fixează în poziție.

APLICAREA BENZII DE PROTECȚIA PE MICROFON

Pentru a proteja microfonul de voce de umiditate și murdărie, utilizați dispozitivul de protecție HYM1000.

Atașarea protecției (Fig G):

G:1 Folosiți o foarfecă pentru a tăia 100 mm de bandă de protecție pentru microfon. Îndepărtați hârtia de protecție.

G:2 Așezați microfonul pe capătul benzii, conform ilustrației.

G:3 Plișați banda de protecție și asigurați-vă că microfonul este acoperit.

G:4 Apăsăți ferm pentru a lipi banda de protecție.

G:5 Microfonul este pregătit de utilizare.

PIESE DE SCHIMB ȘI ACCESORII

3M™ PELTOR™ HY68 SV, Set pentru igienă

Set pentru igienă ce poate fi înlocuit. Înlocuiți-l de cel puțin două ori pe an pentru a asigura o atenueare, igienă și confort constante.

3M™ PELTOR™ HY80-EU, Set pentru igienă cu gel pentru perute

3M™ PELTOR™ HY100A, Protecții de unică folosință
O protecție de unică folosință care este ușor de fixat pe perutele pentru urechi.

3M™ PELTOR™ MT73, Microfon rezistent la apă
Microfon dinamic pentru voce rezistent la apă.

3M™ PELTOR™ M171/2, Apărătoare de vânt pentru microfon

3M™ PELTOR™ HYM1000, Protecție pentru microfon
Bandă rezistentă la umezeală și vânt, care protejează microfonul pentru voce.

3M™ PELTOR™ M60/2, Apărătoare de vânt pentru microfoane ambiante

3M™ PELTOR™ HY450/1, Suport pentru cap
Utilizat pentru fixare benzi pentru cap pliabile din gama de dimensiune mică.

3M™ PELTOR™ LR03NM, Baterii AAA NiMH

PRODUS, INDIFERENT DE TEMEIUL JURIDIC INVOCAT.
DESPĂGUBIRILE INDICATE ÎN ACEST DOCUMENT SUNT EXCLUSIVE.

NICIO MODIFICARE: Modificările asupra acestui dispozitiv se efectuează numai cu acordul scris al societății 3M. Modificările neautorizate pot anula garanția și autoritatea utilizatorului de a utiliza dispozitivul.

NOTĂ:

- Nu utilizați simultan baterii vechi cu baterii noi.
- Nu utilizați simultan baterii alcaline, standard sau reîncărcabile.
- Pentru a elimina bateriile în mod corect, procedați conform regulilor locale de eliminare a deșeurilor solide.
- Folosiți numai baterii AAA nereîncărcabile sau NiMH reîncărcabile (după caz).

GARANȚIA ȘI LIMITAREA RĂSPUNDERII

GARANȚIE: În cazul în care orice produs al Diviziei de siguranță individuală 3M prezintă defecțiuni de material, de fabricație sau nu este conform garanției pentru o anumită întrebuințare, singura obligație a 3M și despăgubirea exclusivă la care aveți dreptul va fi, la latitudinea 3M, aceea de a repara, înlocui sau returna prețul de achiziție al pieselor sau produselor dacă anunțați la timp apariția problemei și dovediti că produsul a fost depozitat, întreținut și folosit în conformitate cu instrucțiunile scrise ale 3M. CU EXCEPȚIA SITUAȚIILOR ÎN CARE ESTE INTERZIS PRIN LEGE, ACEASTĂ GARANȚIE ESTE EXCLUSIVĂ ȘI ÎNLOCUIEȘTE ORICE GARANȚIE EXPLICITĂ SAU IMPLICITĂ DE VANDABILITATE SAU COMPATIBILITATE CU O ANUMITĂ UTILIZARE SAU ALTĂ GARANȚIE DE CALITATE SAU PE CELE CARE REZULTĂ DIN DERULAREA NORMALĂ A ACTIVITĂȚII COMERCIALE, DIN PRACTICI OBȘNUITE SAU COMERȚ, CU EXCEPȚIA DREPTULUI ȘI ÎMPOTRIVA ÎNCĂLCĂRII DREPTURILOR ASIGURATE DE BREVETE. 3M nu are nicio obligație prin această garanție pentru niciun produs care se defectează din cauză că este depozitat, manipulat sau întreținut necorespunzător sau neadecvat, că nu au fost respectate instrucțiunile de utilizare sau pentru modificarea sau deteriorarea acestuia din greșeală, neglijență sau utilizare necorespunzătoare.

LIMITAREA RĂSPUNDERII: CU EXCEPȚIA SITUAȚIILOR ÎN CARE SE INTERZICE PRIN LEGE, 3M NU ESTE SUB NICIO FORMĂ RĂSPUNZĂTOARE PENTRU DAUNE SAU PIERDERI DIRECTE, INDIRECTE, SPECIALE, ACCIDENTALE SAU PE CALE DE CONSECINȚĂ (INCLUSIV PROFITURI PIERDUTE) CARE REZULTĂ ÎN LEGĂTURĂ CU ACEST

3M™ PELTOR™ ComTac™ VI NIB Headset MT20H682**,**N**

UVOD

Čestitamo i hvala na izboru 3M™ PELTOR™ komunikacijskih rešenja! Dobro došli u sledeću generaciju zaštitne komunikacije.

NAMENA

Namena ovih 3M™ PELTOR™ slušalica je da zaštite korisnika od štetnih nivoa buke i glasnih zvukova, omogućavajući mu istovremeno da čuje zvukove iz okruženja zahvaljujući mikrofonima za slušanje okružujućeg zvuka, kao i da sluša povezane uređaje za komunikaciju licem-u-lice putem integrisane tehnologije NIB (Natural Interaction Behavior) u okruženjima sa visokim nivoima ravnomerne buke. Očekuje se da svi korisnici pročitaju i razumeju korisničko uputstvo i da budu upoznati sa korišćenjem ovog uređaja.

VAŽNO

Pročitajte i pridržavajte se svih bezbednosnih informacija iz ovog uputstva pre korišćenja. Sačuvajte ovo uputstvo za buduću upotrebu. Za dodatne informacije i pitanja obratite se 3M tehničkom servisu (informacije za kontakt su navedene na poslednjoj strani).



UPOZORENJE

Ovaj štitnik za uši omogućava smanjenje uticaja opasne buke i drugih snažnih zvukova. Nepravilna upotreba ili nekorišćenje štitnika za uši pri izlaganju opasnom nivou buke dovodi do oštećenja ili gubitka sluha. Informacije o pravilnom korišćenju potražite od nadzornika, u korisničko uputstvu ili pozovite 3M tehnički servis. Ako su vam uši zaglušene ili čujete zvonjavu ili zujanje tokom ili posle izlaganja buci (uključujući i pucnjeve iz vatrenog oružja) ili ako smatrate da imate problem sa sluhom iz ma kog razloga, odmah napustite bučno okruženje i obratite se zdravstvenom radniku i/ili nadzorniku.

Ako se ne budete pridržavali ovih uputstava, to može imati za posledicu tešku telesnu povredu ili smrt:

- Slušanje muzike ili drugih audio komunikacija može da smanji situacionu svesnost i sposobnost da čujete signale upozorenja. Budite na oprezu i pažljivi i podesite jačinu zvuka na najniži prihvatljivi nivo. Čujnost signala upozorenja na nekom specifičnom radnom mestu može da bude umanjena zbog korišćenja uređaja za zabavu.
- Da biste smanjili rizik od paljenja i eksplozije, ne koristite proizvod u potencijalno eksplozivnoj atmosferi.

Ako se ne budete pridržavali ovih uputstava to može umanjiti obezbedenu zaštitu koju pruža naušnik i imati za posledicu gubitak sluha:

- Istraživanje navodi da korisnici mogu iskusiti manji nivo prigušivanja buke u odnosu na naznačenu vrednost nivoa prigušivanja buke na pakovanju zbog razlika u naleganju, veštini postavljanja i motivaciji korisnika. Pogledajte važeće propise za smernice o prilagođavanju vrednosti oznake i proceni nivoa prigušivanja buke. Pored toga, 3M izričito preporučuje testiranje naleganja štitnika za uši.
- Vodite računa da se štitnik za uši propisno izabere, naleže,

postavi i održava. Nepravilno naleganje uređaja će umanjiti efikasnost prigušivanja buke. Pogledajte priloženo uputstvo za pravilno postavljanje.

- Pregledajte štitnik za uši pre svakog korišćenja. Ako je štitnik za uši oštećen, izaberite drugi ili izbegavajte bučno okruženje.
- Kada je neophodno koristiti dodatnu ličnu zaštitnu opremu (npr. zaštitne naočare, respiratore itd.) izaberite one koji su fleksibilni i niskoprofilnih površina oko slepoočnica, ili sa kaiševima koji će minimalno narušavati prijanjanje jastuka naušnika. Sklonite kosu sa ušiju i skinite sve druge nepotrebne stvari (npr. kape, nakit, slušalice, higijenske poklopce itd.) koji bi mogli da smetaju prijanjanju jastuka naušnika i smanje kapacitet zaštite naušnika.
- Nemojte savijati niti menjati oblik trake za glavu ili trake za vrat i verujte se da imaju dovoljno sile da dobro drže naušnike na mestu.
- Naušnici, a naročito jastuci, mogu da se istroše usled korišćenja i zato ih treba često proveravati da bi se na vreme uočile naprsline ili propuštanja. Pri redovnom korišćenju, menjajte jastuke za uši i obloge od pene bar dva puta godišnje da bi se očuvalo neprekidno prigušivanje, higijena i udobnost.
- Izlaz iz električnog audio kola ovog štitnika za uši može da prekorači dnevno ograničenje za nivo zvuka. Podesite jačinu zvuka na najniži prihvatljivi nivo.
- Ako ne budete poštovali prethodne zahteve, znatno ćete umanjiti zaštitu koju pružaju naušnici.

Izjave o bezbednosti EN 352:

- Izlaz iz kola zavisnosti od nivoa ovog štitnika za uši može da prekorači nivo spoljnog zvuka.
- Postavljanje higijenskih poklopaca na jastuke može da utiče na akustične radne karakteristike naušnika.
- Radne karakteristike mogu opadati tokom korišćenja baterija. Karakterističan period očekivanog neprekidnog korišćenja baterije naušnika iznosi približno:
 - LDF i NIB: 30 sati
 - LDF: 50 sati
- Određene hemikalije mogu da oštete ovaj proizvod. Dodatne informacije bi trebalo potražiti od proizvođača.
- Ovi naušnici su male veličine. Naušnici koji su usaglašeni sa standardom EN 352-1 mogu biti „srednje veličine“, „male veličine“ ili „velike veličine“. Naušnici „srednje veličine“ će odgovarati većini korisnika. Naušnici „male veličine“ ili „velike veličine“ napravljeni su za korisnike kojima ne odgovaraju naušnici „srednje veličine“.
- Proizvod nije primeren kontinuiranoj buci niske frekvencije.

OPREZ:

- Rizik od eksplozije ako se baterija zameni neodgovarajućom.
- Uvek upotrebljavajte 3M zamenske delove namenjene isključivo ovom proizvodu. Upotreba neovlašćenih zamenskih delova može smanjiti zaštitu koju ovaj proizvod pruža.

NAPOMENA

- Ako se nosi u skladu sa korisničkim uputstvom, ova zaštita za sluh pomaže u smanjenju izloženosti neprekidnoj buci, kao što je buka industrijskih postrojenja, vozila i vazduhoplova, kao i jakoj impulsnoj buci, kao što je pucanj iz vatrenog oružja. Teško je proceniti potrebnu i/ili stvarnu zaštitu sluha

prilikom izlaganja impulsnoj buci. Na učinak pri izlaganju buci koju pravi vatreno oružje utiču tip oružja, broj ispaljenih metaka, pravilan izbor, naleganje i korišćenje zaštite za sluh, pravilno održavanje zaštite za sluh i drugi faktori. Da biste saznali više o zaštiti sluha od impulsne buke, posetite www.3M.com/hearing.

- Ovaj naušnik prigušuje buku zavisno od intenziteta. Korisnik bi trebalo da pre upotrebe proveri da li uređaj ispravno radi. U slučaju da korisnik otkrije izobličenje ili kvar, trebalo bi da potraži savet od proizvođača u vezi sa održavanjem i zamenom baterije.
- Ovaj naušnik poseduje električni audio-ulaz. Korisnik bi trebalo da pre upotrebe proveri da li uređaj ispravno radi. U slučaju da korisnik otkrije neko izobličenje ili kvar, treba potražiti savet proizvođača.
- Opseg temperature za rad: od $-20\text{ }^{\circ}\text{C}$ ($-4\text{ }^{\circ}\text{F}$) do $55\text{ }^{\circ}\text{C}$ ($131\text{ }^{\circ}\text{F}$)
- Opseg temperature za skladištenje: od $-20\text{ }^{\circ}\text{C}$ ($-4\text{ }^{\circ}\text{F}$) do $55\text{ }^{\circ}\text{C}$ ($131\text{ }^{\circ}\text{F}$)
- Težina štitnika za uši: MT20H682FB-**N** = 340 g, MT20H682BB-**N** = 313 g, MT20H682FB-**N***(HY80) = 379 g.
- Rok trajanja: 5 godina, osim za baterije.

ODOBRENJA

3M Svenska AB ovim izjavljuje da je uređaj za radio komunikaciju usaglašen sa Propisom 2014/53/EU i drugim odgovarajućim propisima da bi se ispunili zahtevi za dobijanje oznake CE. 3M Svenska AB izjavljuje i da su slušalice tipa PPE usaglašene sa propisom (EU) 2016/425 ili Direktivom zajednice 89/686/EEZ.

Važeći zakon može se odrediti pregledom izjave o usaglašenosti (DoC) na www.3M.com/peltor/doc. Izjava o usaglašenosti će navesti i da li važe još neka odobrenja za tip. Nadite broj dela kad preuzimate izjavu o usaglašenosti. Broj dela naušnika nalazi se na dnu jednog naušnika. Primer je dat na slici ispod.



Ovaj proizvod lične zaštitne opreme se ispituje na godišnjem nivou (ako se radi o proizvodima kategorije III) i odobrava ih Finski institut za medicinu rada (Finnish Institute of Occupational Health), ovlašćeno telo br. 0403, Topeliuksenkatu 41 b, FI-00250 Helsinki, Finska. Proizvod je testiran i odobren u skladu sa standardima EN 352-1:2002, EN 352-4:2001/A1:2005, EN 352-6:2002.

Da biste dobili primerak izjave o usaglašenosti i dodatne informacije o zahtevima datim propisima, možete se obratiti i predstavništvu preduzeća 3M u zemlji u kojoj ste kupili proizvod. Informacija za kontakt ćete naći na poslednjoj strani ovog uputstva.



Ovaj proizvod sadrži električne i elektronske komponente i ne sme se odlagati sa otpadom iz domaćinstva. Proučite lokalne

propise za odlaganje električne i elektronske opreme.

PRIGUŠIVANJE U LABORATORIJSKIM USLOVIMA

Stepen prigušivanja buke (SNR) dobijen je sa isključenim uređajem. Objašnjenje tabela sa podacima o prigušivanju buke:

Evropski standard EN 352

Istraživanje navodi da korisnici mogu iskusiti manji nivo prigušivanja buke u odnosu na naznačenu vrednost nivoa prigušivanja buke na pakovanju zbog razlika u naleganju, veštini postavljanja i motivaciji korisnika. Pogledajte važeće propise za smernice o prilagođavanju vrednosti oznake i proceni nivoa prigušivanja buke. Pored toga, 3M izričito preporučuje testiranje naleganja štitnika za uši.

A:1 Frekvencija (Hz)

A:2 Srednja vrednost prigušivanja buke (dB)

A:3 Standardno odstupanje (dB)

A:4 Pretpostavljena vrednost zaštite, APV (dB)

A:5

H = Procena zaštite sluha od zvukova visoke frekvencije ($f \geq 2000\text{ Hz}$).

M = Procena zaštite sluha od zvukova srednje frekvencije ($500\text{ Hz} < f < 2000\text{ Hz}$).

L = Procena zaštite sluha od zvukova niske frekvencije ($f \leq 500\text{ Hz}$).

A:6 Merilo nivoa

H = Merilo nivoa za visokofrekventnu buku

M = Merilo nivoa za srednjefrekventnu buku

L = Merilo nivoa za niskofrekventnu buku

A:7 Evropski standard EN 352-6 za nivoe signala na spoljnom audio-ulazu

A:8 Nivo ulaznog signala U (mV, efektivna vrednost)

A:9 Srednji nivo zvučnog pritiska (dB(A))

A:10 Standardno odstupanje zvučnog pritiska (dB)

A:11 Nivo ulaznog signala za koji je srednja vrednost uvećana za jedno standardno odstupanje iznosi 82 dB(A)

B) Australijski/Novozelandski standard AS/NZS 1270:2002

B:1 Testirane frekvencije

B:2 Srednja vrednost prigušivanja buke

B:3 Standardno odstupanje

B:4 Razlika srednje vrednosti i standardnog odstupanja

KOMPONENTE

C:1 Sklopiva traka za glavu

C:2 Noseći krak naušnika

C:3 Stezači u dve tačke

C:4 Naušnik

C:5 Poklopac baterije

C:6 Mikrofon za funkciju slušanja zvuka u okruženju

C:7 Prigušni jastuk

C:8 Jastuk za uši

C:9 Kabl za spoljne izvore (samo kod određenih modela)

C:10 Mikrofon za govor (samo kod određenih modela)

C:11 Traka za vrat

C:12 Ulaz za mikrofon za govor (J22) (samo kod određenih modela)

C:13 [-] dugme na tastaturi

C:14 [+] dugme na tastaturi
C:15 NIB PTT

UPUTSTVA ZA POSTAVLJANJE

Traka za glavu

- D:1 Izvucite naušnike i iskrenite gornji deo školjke prema spolja jer kabl mora biti sa spoljne strane trake za glavu.
D:2 Prilagodite visinu naušnika povlačenjem nagore ili nadole uz istovremeno držanje trake za glavu.
D:3 Traka za glavu treba da bude postavljena preko vrha glave kao što je prikazano i da služi kao potpora za zaštitne slušalice.

Traka za vrat

- D:4 Postavite naušnike na mesto, tako da budu iznad ušiju.
D:5 Držeći naušnike na mestu, postavite kaiš za glavu na vrh glave i dobro ga fiksirajte.
D:6 Kaiš za glavu treba da bude postavljen preko vrha glave.

E:1-E:2 Podešavanje mikrofona za govor

Da bi se učinak mikrofona za govor održao na maksimalnom nivou u bučnim područjima, postavite mikrofona veoma blizu usta (manje od 3 mm, odnosno 1/8 inča).

NAPOMENA: Kad se upotrebljava na velikoj nadmorskoj visini / u vazduhoplovstvu, okolni pritisak može brzo da se smanji, što utiče na osetljivost mikrofona, na primer, tokom poletanja helikoptera. Ako se to desi, mikrofona stavite bliže i/ili govorite glasnije da biste povećali pritisak na membrani mikrofona.

UPUTSTVA ZA RAD

Zamena baterija (sl. 1)

- 1-2. Skinite poklopce odeljka za bateriju i stavite baterije (2xAAA).
3. Polaritet baterija mora da se poklapa sa oznakama na odeljku za bateriju.
4. Poklopce morate skroz da pritisnete nadole da biste osigurali da je odeljak dobro zatvoren. Nizak nivo baterije biće označen glasovnom porukom „low battery“ (nizak nivo baterije) koja se ponavlja.

Uključivanje i isključivanje slušalica (sl. 2)

Pritisnite dugme [+] ili [-] i zadržite ga oko dve sekunde kako biste uključili ili isključili slušalice. Glasovni vodič će potvrditi. Prilikom isključivanja slušalica uvek će se sačuvati trenutna postavka.

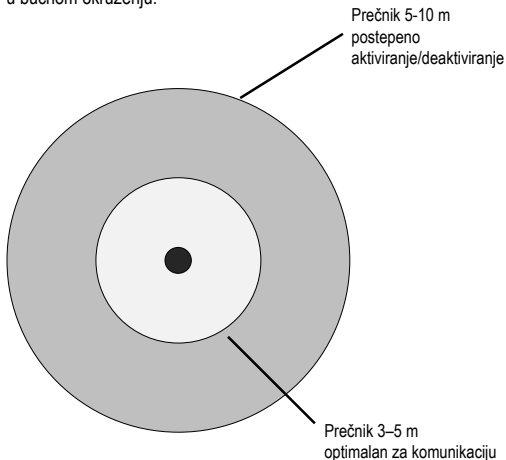
Slušalice se automatski isključuju nakon dva sata neaktivnosti. To se označava glasovnim porukama tokom poslednjeg minuta, pre nego što se slušalice isključe. Pritisnite dugme [+] ili [-] da biste resetovali period isteka vremena od dva sata.

Podešavanje jačine zvuka (sl. 3)

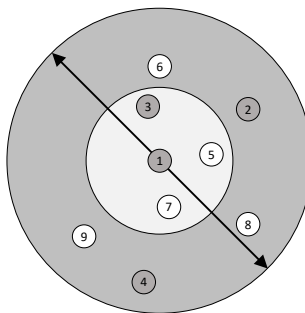
Pritisnite [+] ili [-] da biste podesili jačinu za sušanje zvuka iz okruženja. Dostupne su postavke za četiri nivoa, kao i mogućnost isključivanja slušanja zvuka iz okruženja. Maksimalne postavke potvrđuje zvučni signal. Glasovna poruka potvrđuje režim isključivanja slušanja zvuka iz okruženja.

Komunikacija licem-u-lice putem NIB tehnologije

NIB omogućava komunikaciju licem-u-lice u na maloj udaljenosti u bučnom okruženju.



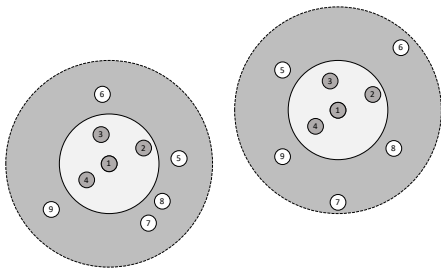
NIB tehnologija omogućava bežičnu komunikaciju u prečniku od 10 m. Potpuna dvosmerna komunikacija za najviše četiri osobe u ovom prečniku.



U bučnim okruženjima, jednostavno govorite blizu osobe sa kojom želite da razgovarate. NIB tehnologija će se postepeno aktivirati i deaktivirati (u prečniku od 5 do 10 m) i omogućiti komunikaciju sa osobama u blizini. Ostanite u okviru prečnika od 3 do 5 m radi optimalnog signala komunikacije.

Kada su četiri kanala za prenos potpune dvosmerne komunikacije zauzeta (1-4), drugi korisnici mogu i dalje da slušaju, ali ne i da emituju govor (5-9). Gornja granica broja slušalaca ograničena je na broj ljudi koji se nalaze u prečniku od 10 m, a ne na ono što tehnologija dozvoljava.

NAPOMENA: Kada više od četiri korisnika pokuša da govori putem NIB tehnologije, peti korisnik i svi naredni čuće zvučni signal koji ukazuje da odlazna komunikacija nije prenetá.



Kojoj NIB grupi pripadate zavisi od toga gde se nalazite vi i druge NIB slušalice.

NIB radi kada nivo buke u okruženju premašuje oko 80 dB i kada buka neprekidno traje oko 1 sekundu.

NIB takođe radi i na manje od 80 dB ako korisnik pritisne dugme PTT u režimu PTT ili VOX.

Aktiviranje NIB funkcije (sl. 7)

Ako dvaput brzo pritisnete PTT, prebacićete se između režima NIB PTT ON/NIB OFF/NIB VOX ON.

Ako pritisnete i zadržite dugme NIB PTT, omogućićete komunikaciju u prečniku od 10 m kada je aktivan režim NIB VOX ON i režim NIB PTT ON.

NIB VOX ON – U ovom režimu, visoki nivoi buke aktiviraće NIB radio i omogućiće VOX komunikaciju za najviše četiri korisnika. Pritiskom na dugme PTT u režimu VOX ON takođe ćete omogućiti komunikaciju u tihom okruženju.

Kada slušalice rade u okruženju sa isprekidanom bukom, buka može da ponavlja aktiviranje režima NIB VOX. U ovoj situaciji, možete da koristite NIB PTT ON.

NIB PTT ON – U ovom režimu, dugme PTT mora da bude pritisnuto za prenos.

NIB OFF – Ovaj režim ISKLJUČUJE NIB radio. U režimu NIB OFF, NIB radio ne emituje RF signal.

Push-To-Talk (dugme za govor) za NIB (sl. 8)

Pritisnite i zadržite dugme PTT na levom naušniku za prenos u režimu NIB.

Ulazak u meni (sl. 4)

1. Za otvaranje menija pritisnite i zadržite dugme [+] i [-]. Glasovni vodič će to potvrditi.
2. Kratko pritisnite dugme [-] da biste se prebacivali kroz meni. Koraci u meniju su nabrojani ispod.
3. Dugme [+] se koristi za promenu postavke i za prebacivanje kroz dostupne postavke, ako je dostupno. Glasovna poruka potvrđuje svaki korak, a nakon toga sledi trenutna postavka. Glasovna poruka takođe potvrđuje promene. Ako nema aktivnosti nekoliko sekundi, meni se vraća u režim rada za jačinu zvuka. Postavci jačine zvuka možete da pristupite u bilo kojoj fazi menija tako što ćete pritisnuti dugme [+] i [-].

Ambient/Environmental listening mode (Režim slušanja zvukova iz okruženja)

Režim slušanja zvukova iz okruženja dostupan je u klasičnom režimu i u naprednom režimu. Klasični režim omogućava podešavanje jačine zvuka u četiri koraka povećanjem ili smanjenjem nivoa jačine zvuka iz okruženja. Napredni režim sadrži četiri memorisane postavke optimizovane za različite profile zvuka.

Postavka	Namena
Napredni režim 1 (Komfor)	Za komfor u veoma bučnom okruženju.
Napredni režim 2 (Razgovor)	Za prirodni doživljaj zvuka kada je zaštita od iznenaadne buke neophodna.
Napredni režim 3 (Patroliranje)	Za visoki nivo situacione svesnosti pri kretanju kroz okruženje male buke.
Napredni režim 4 (Nadzor)	Za izrazitu situacionu svesnost u tihom okruženju.

Battery (Baterija)

Izaberite alkalnu ili punjivu bateriju za upotrebu u slušalicama.

Wireless input (Bežični ulaz)

1. Pratište uputstva za upotrebu za 3M™ PELTOR™ TEP-LOOP.* da biste podesili traku za vrat.
2. Otvorite meni za slušalice i podesite bežični ulaz i osetljivost tako da odgovaraju povezanoj traci za vrat. Odaberite postavku Off/Low/Medium/High (Isključeno/Nisko/Srednje/Visoko).
3. Ako je potrebno, podesite glasnoću na vanjskom radiju.

NAPOMENA: Glasnoća može da se razlikuje zavisno od rastojanja između slušalica i trake za vrat.

Wired input (Žični ulaz)

Podesite žični ulaz i osetljivost tako da odgovaraju žičnom uređaju. Odaberite postavku Low/High (Nisko/Visoko).

Balance (Balans)

Postavka balansa podešava balans jačine zvuka između desnog i levog uha. Postoji sedam postavki nivoa: Center (Centar), Left 1 (Levo 1), Left 2 (Levo 2), Max left (Maks. levo), Max right (Maks. desno), Right 2 (Desno 2), Right 1 (Desno 1).

Warning signals (Signali upozorenja)

Postavka signala upozorenja onemogućava/omogućava signale upozorenja „low battery“ (nizak nivo baterije) i „automatic power off“ (automatsko isključivanje). Kada je ova postavka isključena, neće se oglasiti nijedan od ovih signala upozorenja.

Automatic power off (Automatsko isključivanje)

Postavka automatskog isključivanja onemogućava/omogućava funkciju automatskog isključivanja.

NIB frequency (NIB frekvencija)

Za Severnu Ameriku, Australiju i Novi Zeland, frekvencija za NIB je 915 MHz.

Za Evropu frekvencija za NIB je 864 MHz.

Odaberite NIB frekvenciju, 864 MHz (EU) ili 915 MHz (SA; ANZ). Pritisnite [+] za izbor, a zatim pritisnite i zadržite [+] da biste potvrdili izbor.

NAPOMENA: Uverite se da koristite frekvenciju odobrenu za region u kojem radite.

Factory reset (Vraćanje fabričkih podešavanja)

Vraća sve postavke menija na fabrički definisane vrednosti. Ovu postavku je potrebno potvrditi pritiskanjem dugmeta [+] kada glas kaže „Confirm factory reset“ (Potvrdite vraćanje fabričkih podešavanja).

REŠAVANJE PROBLEMA ZA NIB

Problem	Mogući uzroci	Predlog
Slušalice emituju zvučni signal prilikom prenosa.	NIB kanal koriste četiri osobe.	Sačekajte slobodno mesto.
Slušalice emituju zvučni signal prilikom prenosa.	Nema drugih slušalica u prečniku.	Uverite se da se u prečniku koriste druge slušalice.
Nije moguće čuti druge korisnike ili komunicirati sa njima.	Ne koristite ispravnu NIB frekvenciju za region u kojem radite.	U meniju odaberite ispravnu NIB frekvenciju. Pogledajte NIB frekvenciju.
Nije moguće čuti druge korisnike ili komunicirati sa njima.	NIB nije aktiviran.	Prebacujte se između različitih režima pomoću PTT dugmeta. Pogledajte odeljak Aktiviranje NIB funkcije.

ČIŠĆENJE I ODRŽAVANJE

Prebrišite spoljne površine školjki, trake za glavu i jastuka za uši krpom nakvašenom toplom vodom sa sapunicom.

NAPOMENA: NE potapajte štitnik za uši u vodu. Ako se štitnik za uši nakvasi kišom ili znojem, okrenite naušnike ka spolja, skinite jastuke za uši i obloge od pene i ostavite ih da se osuše pre ponovnog sklapanja. Jastuci za uši i obloge od pene mogu da se istroše usled korišćenja i zato ih treba često proveravati da bi se na vreme uočile naprsline ili druga oštećenja. Pri redovnom korišćenju, preduzeće 3M preporučuje da menjate obloge od pene i jastuke za uši bar dva puta godišnje da bi se očuvalo neprekidno prigušivanje, higijena i udobnost. Ako se jastuk za uši ošteti, treba ga zameniti. Pogledajte odeljak o rezervnim delovima u nastavku.

UKLANJANJE I ZAMENA JASTUKA ZA UŠI

F:1 Da biste skinuli jastuk za uši, podvucite prste ispod unutrašnje ivice jastuka za uši i izvucite ga napolje.
F:2 Uklonite postojeće obloge i umetnite nove obloge od pene.
F:3 Postavite jednu stranu jastuka za uši u žleb školjke i pritisnite jastuk sa suprotne strane dok ne legne na mesto.

POSTAVLJANJE TRAKE ZA ZAŠTITU MIKROFONA

Da biste zaštitili mikrofonski govornik od vlage i prljavštine, koristite štitnik za mikrofonski HYM1000.

Postavljanje štitnika (sl. G):

G:1 Isecite makazama 100 mm trake za zaštitu mikrofona.

Uklonite zaštitni papir.

G:2 Postavite mikrofonski na kraj trake, kao što je prikazano na slici.

G:3 Preklopite zaštitnu traku i uverite se da je mikrofonski pokriven.

G:4 Čvrsto pritisnite da biste omogućili prisanje trake za zaštitu.

G:5 Mikrofonski je sada spreman za upotrebu.

REZERVNI DELOVI I DATATNA OPREMA

3M™ PELTOR™ HY68 SV higijenski komplet
Potrošni higijenski komplet. Zamenite najmanje dvaput godišnje da biste postigli neprekidno prigušivanje, sačuvali dobru higijenu i komfor.

3M™ PELTOR™ HY80-EU higijenski komplet za jastuk od gela

3M™ PELTOR™ HY100A štitnici za jednokratnu upotrebu
Jednokratni štitnici koji se jednostavno postavljaju na jastuke za uši.

3M™ PELTOR™ MT73 voodootporni mikrofonski
Voodootporni dinamični mikrofonski za govornik.

3M™ PELTOR™ M171/2 zaštita od vetra za mikrofonski

3M™ PELTOR™ HYM1000 štitnik za mikrofonski
Traka otporna na vlagu i vetar koja štiti mikrofonski za govornik.

3M™ PELTOR™ M60/2 zaštita od vetra za mikrofonske za okružujući zvuk

3M™ PELTOR™ HY450/1 podmetač za glavu
Koristi se za mali opseg podešavanja veličine sklopivih traka za glavu.

3M™ PELTOR™ LR03NM baterija AAA NIMH

GARANCIJA I OGRANIČENJE ODGOVORNOSTI

GARANCIJA: U slučaju da bilo koji proizvod odeljenja preduzeća 3M za ličnu bezbednost (3M Personal Safety Division) ima nedostatke u materijalu, izradi ili nije usaglašen sa bilo kojom izričitom garancijom za određenu namenu, jedina obaveza preduzeća 3M da popravi, zameni ili izvrši povraćaj sume plaćene za oštećene delove ili proizvod po blagovremenom obaveštavanju o problemu i utvrđivanju da je proizvod čuvan, održavan i korišćen u skladu sa pisanim uputstvima preduzeća 3M. OSIM GDE JE ZABRANJENO ZAKONOM, OVA GARANCIJA JE ISKLJUČIVA I IMA PREDNOST NAD SVIM OSTALIM IZRIČITIM

I PODRAZUMEVANIM GARANCIJAMA O PRIKLADNOSTI ROBE ZA TRGOVINU, PODESNOSTI ZA ODGOVARAJUĆU NAMENU I DRUGIM GARANCIJAMA KVALITETA, KAO I NAD GARANCIJAMA KOJE PROISTIČU IZ ISTORIJATA SARADNJE, OBIČAJA I POSLOVNIH OBIČAJA, IZUZEV GARANCIJE VLASNIŠTVA I GARANCIJE PRAVA NA PATENT. Preduzeće 3M pod ovom garancijom ne snosi odgovornost za proizvod koji je otkazao zbog neodgovarajućeg ili nepravilnog čuvanja, rukovanja ili održavanja; nepridržavanja uputstava za korišćenje proizvoda ili izmena ili oštećenja na proizvodu nastalih slučajno, zbog nemara ili nepravilne upotrebe.

OGRANIČENJE ODGOVORNOSTI: OSIM GDE JE ZABRANJENO ZAKONOM, PREDUZEĆE 3M NI U KOM SLUČAJU NE ODGOVARA ZA NEPOSREDAN, POSREDAN, POSEBAN, SLUČAJAN ILI POSLEDIČAN GUBITAK ILI ŠTETU (UKLJUČUJUĆI GUBITAK PROFITA) KOJU IZAZOVE OVAJ PROIZVOD, BEZ OBZIRA NA VAŽEĆU TEORIJU PRAVA. OVDE IZLOŽENI PRAVNI LEKOVI SU ISKLJUČIVI.

ZABRANJENE SU PREPRAVKE: Ovaj uređaj ne sme da se prepravlja bez prethodnog pismenog odobrenja preduzeća 3M. Neovlašćene prepravke mogu da ponište garanciju i pravo korisnika da upotrebljava uređaj.

NAPOMENA:

- Nemojte mešati stare i nove baterije.
- Nemojte mešati alkalne, standardne i punjive baterije.
- Da biste odložili bateriju na ispravan način, pratite lokalne propise o odlaganju čvrstog otpada.
- Koristite samo AAA nepunjive ili NiMH punjive (kao što je primenljivo) baterije.

СРОК СЛУЖБЫ И ГАРАНТИЯ

Срок службы изделия составляет 5 лет с даты изготовления при условии эксплуатации и обслуживания в соответствии с настоящей инструкцией. В случае поломки изделия, для осуществления ремонта обратитесь в сервисный центр. Изделия, не подлежащие восстановлению, должны быть заменены.

Дата изготовления входит в состав серийного номера изделия, который напечатан на серебристом стикере наклеенном на изделие. Серийный номер представляет собой последовательность из десяти цифр, где первые две цифры обозначают неделю изготовления, а следующие две – год изготовления. Например, если серийный номер продукта имеет вид 0112XXXXXX, это означает, что он был изготовлен на первой неделе 2012 года. Подробная информация об условиях гарантийного обслуживания приведена в гарантийном талоне.

Информация об обязательном подтверждении соответствия

Данное изделие является средством индивидуальной защиты органа слуха от механических воздействий (опасных уровней шума) со встроенными электронными компонентами. Данный продукт прошел процедуру обязательного подтверждения соответствия требованиям технических регламентов Таможенного Союза ТР ТС 019/2011 «О безопасности средств индивидуальной защиты» и ТР ТС 020/2011 «Электромагнитная совместимость технических средств» в форме декларирования соответствия и поэтому маркирован единым знаком обращения продукции на рынке государств-членов Таможенного Союза. -Единый знак обращения продукции на рынке государств-членов Таможенного союза

Юридический адрес изготовителя:
3М Швеция АВ, Мальмстенс 19, Варнамо,
SE-331 02 Швеция. Сделано в Швеции

ЗАО «3М Россия»
Бизнес-центр Krylatsky Hills,
Крылатская ул. 17-3,
121614 Москва
+7-495-784-74-74

3М™ PELTOR™ ComTac™ VI NIB Headset MT20H682**.*N**

ВВЕДЕНИЕ

Благодарим за покупку коммуникационного решения 3М™ PELTOR™. Поздравляем, вы сделали правильный выбор, приобретаете наушники нового поколения!

НАЗНАЧЕНИЕ

Наушники 3М™ PELTOR™ предназначены для защиты органов слуха от звуков опасной интенсивности. При этом наушники позволяют слышать окружающие звуки через предназначенные для этого микрофоны, а также использовать подключенные источники звукового сигнала. Помимо этого, наушники дают возможность в условиях сильного шума постоянной интенсивности общаться с находящимися рядом собеседниками с помощью встроенной радиостанции малого радиуса действия (т.н. технология естественного общения — Natural Interaction Behavior (NIB) Technology). Перед началом эксплуатации изделия необходимо внимательно ознакомиться с настоящим руководством.

ВНИМАНИЕ!

Перед началом использования изделия необходимо внимательно ознакомиться с приведенными в настоящем руководстве правилами техники безопасности. В процессе эксплуатации изделия данные правила должны неукоснительно соблюдаться. Настоящее руководство следует сохранить, чтобы в дальнейшем пользоваться им как справочником. Для получения дополнительной информации, касающейся данного изделия, а также в случае возникновения каких-либо вопросов, следует обращаться в отдел технической поддержки компании 3М. Соответствующие адреса и телефоны указаны на последних страницах настоящего руководства.



ВНИМАНИЕ!

Настоящее средство защиты слуха позволяют снизить уровень воспринимаемого пользователем опасного шума и иных громких звуков. Неправильное использование изделия или его неиспользование в течение какого-либо времени при нахождении в шумной среде может стать причиной снижения или потери слуха. За рекомендациями по надлежащему использованию устройства следует обратиться к непосредственному начальнику или к руководству по эксплуатации, либо по телефону в отдел технической поддержки компании 3М. Если в процессе или после воздействия шума (в т.ч. после стрельбы) пользователь отмечает частичную потерю слуха, звон в ушах, шум в ушах или иные подобные симптомы, следует немедленно покинуть зону интенсивного шума, после чего обратиться за медицинской помощью и (или) к своему непосредственному начальнику.

Несоблюдение приведенных ниже указаний может стать причиной тяжелой травмы или летального исхода!

а. Прослушивание музыки или иных аудиосигналов от внешнего устройства может стать причиной

- снижения контроля за текущей ситуацией и плохой слышимости различных предупреждающих сигналов. Необходимо оставаться внимательным, а также установить минимальную приемлемую громкость внешнего аудиосигнала. Использование устройства может стать причиной плохой слышимости различных предупреждающих сигналов, подаваемых на рабочей площадке.
- b. Запрещается использовать данное изделие в потенциально взрывоопасной среде. Это может привести к пожару и взрыву.

Несоблюдение приведенных ниже указаний может стать причиной потери слуха вследствие снижения эффективности защиты органов слуха.

- a. Согласно данным исследований, на практике снижение уровня шума может оказаться меньшим, чем указано на упаковке изделия, вследствие неподходящего размера наушников, неправильного их ношения, а также нежелания пользователя досконально следовать правилам эксплуатации изделия. Указания, касающиеся коррекции приведенных значений и оценки звукопоглощения наушников, содержатся в соответствующих нормативах. Помимо этого, компания ЗМ настоятельно рекомендует производить примерку средств защиты органов слуха.
- b. Средство защиты слуха должно быть правильно выбрано, подогнано по размеру и отрегулировано. Помимо этого, необходимо надлежащим образом выполнять техническое обслуживание устройства. В случае неправильного ношения наушников эффективность обеспечиваемой ими защиты органов слуха будет снижена. При ношении наушников необходимо строго соблюдать приведенные ниже указания.
- c. Перед началом каждого использования устройства его необходимо внимательно осмотреть. Запрещается использовать устройство в случае обнаружения повреждений. Поврежденное устройство следует заменить.
- d. При использовании устройства совместно с другими средствами индивидуальной защиты (защитными очками, респираторами и т.п.) необходимо выбирать изделия с максимально тонкими и гибкими дужками или ремнями, не создающими зазоры между обтюраторами и кожей головы. Помимо этого, необходимо по возможности исключить попадание под обтюраторы любых других объектов — волос, головных уборов, ювелирных украшений, наушников, гигиенических накладок и т.п. Это позволит обеспечить максимально эффективную защиту органов слуха.
- e. Запрещается пластиковые деформировать оголовье и затылочное оголовье. Оголовье и затылочное оголовье должны обеспечивать достаточно плотное прижатие чашек наушников к голове.
- f. Устройство в целом и, особенно, обтюраторы, могут изнашиваться в процессе использования. Необходимо регулярно и достаточно часто осматривать их на предмет отсутствия трещин, щелей и других повреждений. При регулярном использовании наушников для обеспечения

- надежной защиты органов слуха, а также гигиены и комфорта, необходимо заменять звукоизоляционные прокладки и обтюраторы не реже двух раз в год.
- g. Звук из динамиков устройства может иметь интенсивность, представляющую опасность для органов слуха при длительном воздействии. Необходимо установить минимальную приемлемую громкость звука.
- h. В случае невыполнения приведенных выше указаний звукопоглощение устройства может быть существенно снижено.

Указания по технике безопасности согласно требованиям стандарта EN 352

- Звук из динамиков устройства с регулированием громкости окружающих звуков может иметь интенсивность, превышающую интенсивность окружающих звуков.
- Использование гигиенических накладок может стать причиной снижения звукопоглощения устройства.
- Технические характеристики устройства могут ухудшаться по мере разрядки источников питания. Обычная продолжительность непрерывной работы устройства от штатного комплекта источников питания составляет приблизительно
 - в режиме воспроизведения окружающих звуков и радиосвязи: 30 ч;
 - в режим воспроизведения окружающих звуков: 50 ч.
- Некоторые химические вещества могут стать причиной повреждения изделия. Для получения более подробной информации следует обратиться к производителю.
- Данные наушники имеют малый размер. Стандарт EN 352-1 предусматривает три размера наушников: малый, средний и большой. Наушники среднего размера подходят большинству пользователей. Наушники малого и большого размеров предназначены для пользователей, для которых не подходят наушники среднего размера.
- Настоящее изделие не предназначено для продолжительной защиты от низкочастотных шумов высокой интенсивности.

ВНИМАНИЕ!

- При использовании источников питания ненадлежащего типа существует опасность взрыва.
- Запрещается использовать с устройством неоригинальные и не предназначенные для него запасные части. Это может стать причиной снижения эффективности защиты органов слуха.

ПРИМЕЧАНИЕ!

- При условии эксплуатации устройства согласно указаниям настоящего руководства оно может использоваться как для защиты от фоновых шумов (например, от шума производственных механизмов, автомобилей или самолетов), так и от чрезвычайно интенсивных импульсных шумов (например, от шума выстрелов). В случае импульсных шумов бывает трудно заранее сказать, какой уровень защиты органов слуха является необходимым и будет ли он обеспечен. В случае стрельбы это зависит от множества факторов,

таких как тип огнестрельного оружия, количество сделанных выстрелов, а также правильности выбора, ношения, использования и технического обслуживания наушников. Более подробная информация о защите органов слуха от импульсных шумов представлена на странице www.3M.com/hearing.

- В конструкции наушников предусмотрена активная защита слуха, т.е. уровень звукопоглощения наушников зависит от интенсивности шума. Перед началом работы необходимо проверить исправность устройства. В случае отказа или ненадлежащего функционирования устройства следует выполнить указания производителя, касающиеся технического обслуживания устройства и замены источников питания.
- В конструкции наушников предусмотрен разъем для подключения источника входящего аудиосигнала. Перед началом работы необходимо проверить исправность устройства. В случае отказа или ненадлежащего функционирования устройства следует обратиться за указаниями к производителю.
- Температура эксплуатации: от -20°C (-4°F) до 55°C (131°F)
- Температура хранения: от -20°C (-4°F) до 55°C (131°F)
- Масса изделия: MT20H682FB-**N**: 340 г, MT20H682BB-**N**: 313 г, MT20H682FB-**N**(HY80): 379 г.
- Срок хранения: 5 лет за исключением источников питания.

СЕРТИФИКАЦИЯ

Настоящим компания 3M Svenska AB заявляет, что входящий в состав данного устройства радиопередатчик соответствует требованиям директивы 2014/53/EU и прочих директив, требования которых должны соблюдаться на рынке ЕС. Настоящим компания 3M Svenska AB заявляет, что данные наушники для защиты органов слуха соответствуют требованиям регламента ЕС 2016/425 или европейской директивы 89/686/EEC.

Подробнее вопросы действующего законодательства описаны в Декларации соответствия на странице www.3M.com/peltor/doc. В декларации также указываются прочие стандарты, которым соответствует устройство, в случае наличия таковых. Для получения декларации соответствия необходимо ввести серийный номер изделия, указанный в нижней части одной из его чашек. Пример показан на рисунке ниже.



Настоящее средство индивидуальной защиты (если оно относится к категории III) ежегодно проверяется и сертифицируется Финским институтом производственной гигиены (Finnish Institute of Occupational Health), номер нотифицированного органа: 0403, адрес: Topeliuksenkatu 41 b, FI-00250 Helsinki, Finland. Устройство было испытано и

сертифицировано согласно требованиям стандартов EN 352-1:2002, EN 352-4:2001/A1:2005, EN 352-6:2002.

Копия декларации соответствия устройства и копии прочих документов, необходимых согласно соответствующим директивам, также могут быть получены в офисе компании 3M в стране, в которой устройство было приобретено. Необходимые адреса и телефоны указаны на последних страницах настоящего руководства.



Настоящее устройство содержит электрические и электронные детали. Запрещается выбрасывать устройство в обычные контейнеры для бытовых отходов. Утилизация устройства должна осуществляться в соответствии с местными нормативами, касающимися утилизации электрического и электронного оборудования.

ЛАБОРАТОРНЫЕ ИСПЫТАНИЯ ЗВУКОПОГЛОЩЕНИЯ

Звукопоглощение (одиночный показатель поглощения шума SNR) определялось при отключенном электропитании устройства. Пояснения к таблицам звукопоглощения

Европейский стандарт EN 352

Согласно данным исследований, на практике снижение уровня шума может оказаться меньшим, чем указано на упаковке изделия, вследствие неподходящего размера наушников, неправильного их ношения, а также нежелания пользователя досконально следовать правилам эксплуатации изделия. Указания, касающиеся коррекции приведенных значений и оценки звукопоглощения наушников, содержатся в соответствующих нормативах. Помимо этого, компания 3M настоятельно рекомендует производить примерку средств защиты органов слуха.

- A:1. Частота, Гц.
- A:2. Среднее звукопоглощение, дБ.
- A:3. Стандартное отклонение, дБ.
- A:4. Предполагаемая эффективность защиты, дБ.
- A:5.

N — оценочная эффективность защиты органов слуха от шума высокой частоты ($f \geq 2000$ Гц).

M — оценочная эффективность защиты органов слуха от шума средней частоты ($500 \text{ Гц} < f < 2000$ Гц).

L — оценочная эффективность защиты органов слуха от шума низкой частоты ($f \leq 500$ Гц).

A:6. Пороговые уровни:

- N — для шума высокой частоты;
- M — для шума средней частоты;
- L — для шума низкой частоты.

A:7. Европейский стандарт EN 352-6. Пояснения к таблице значений среднего звукового давления и его стандартного отклонения при различных напряжениях входящего аудиосигнала

A:8. Напряжение входящего сигнала U, мВ

(среднеквадратичное значение).

A:9. Среднее звуковое давление, дБ (A).

A:10. Стандартное отклонение звукового давления, дБ.

A:11. Напряжение входящего сигнала, для которого среднее значение плюс одно стандартное отклонение уровня звукового давления составляет 82 дБ (А).

В) Стандарт Австралии и Новой Зеландии AS/NZS 1270:2002

V:1. Частота, Гц.

V:2. Среднее звукопоглощение, дБ.

V:3. Стандартное отклонение, дБ.

V:4. Среднее звукопоглощение за вычетом стандартного отклонения, дБ.

ОСНОВНЫЕ ЭЛЕМЕНТЫ УСТРОЙСТВА

C:1. Складное оголовье.

C:2. Держатель чашки.

C:3. Двухточечное крепление.

C:4. Чашка.

C:5. Крышка отсека элементов питания.

C:6. Микрофон для окружающих звуков.

C:7. Демпферная подушка.

C:8. Обтюратор.

C:9. Кабель для внешнего устройства (только в некоторых моделях).

C:10. Речевой микрофон (только в некоторых моделях).

C:11. Затылочное оголовье.

C:12. Разъем для подключения речевого микрофона J22 (только в некоторых моделях).

C:13. Кнопка –.

C:14. Кнопка +.

C:15. Кнопка радиопередачи РТТ.

СБОРКА И РЕГУЛИРОВКА

С оголовьем

D:1. Выдвинуть чашки. Отклонить верхнюю часть чашки наружу, чтобы кабель расположился с внешней стороны оголовья.

D:2. Отрегулировать высоту чашек, для чего передвинуть их вверх или вниз, придерживая оголовье.

D:3. Расположить оголовье таким образом, чтобы оно проходило через темя и принимало на себя вес чашек.

С затылочным оголовьем

D:4. Надеть чашки на уши.

D:5. Придерживая чашки на ушах, расположить головной ремень так, чтобы он проходил через темя, и зафиксировать его в натянутом положении.

D:6. Головной ремень должен проходить через темя.

Е:1–Е:2. Расположение речевого микрофона

Для сведения к минимуму влияния внешнего шума речевой микрофон устройства должен быть расположен максимально близко ко рту пользователя (на расстоянии менее 3 мм).

ПРИМЕЧАНИЕ. При использовании изделия на большой высоте и в салоне воздушного судна возможно резкое снижение атмосферного давления, приводящее к уменьшению чувствительности микрофона. Данный эффект, в частности, может наблюдаться при взлете вертолета. В таких случаях необходимо увеличить звуковое

давление на мембрану микрофона, для чего расположить микрофон ближе ко рту или говорить громче.

ЭКСПЛУАТАЦИЯ

Замена элементов питания (рис. 1)

1–2. Удалить крышку отсека элементов питания. Вставить два элемента питания типоразмера AAA.

3. При установке элементов питания необходимо соблюдать полярность, см. обозначения внутри отсека.

4. Установить на место крышку отсека элементов питания и вдавить ее до упора. При низком уровне заряда источников питания будет многократно транслироваться голосовое сообщение «Low battery» («Низкий уровень заряда источников питания»).

Включение и выключение питания устройства (рис. 2)

Для включения и выключения питания устройства нажать кнопку + или – и удерживать ее в течение приблизительно двух секунд. В результате послышится голосовое сообщение. При выключении питания устройства в его памяти сохраняются текущие настройки.

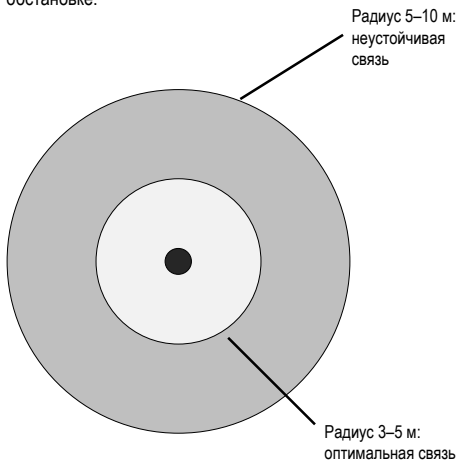
Если устройство не используется в течение двух часов, его питание отключится автоматически. В последнюю минуту перед отключением послышится голосовое сообщение. В случае нажатия кнопки + или – питание устройства останется включенным еще на два часа.

Регулировка громкости (рис. 3)

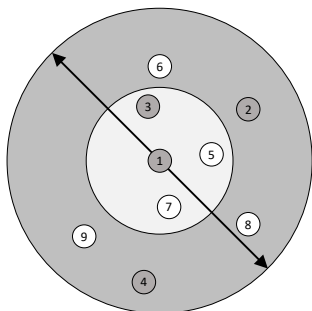
Для регулировки громкости окружающих звуков следует воспользоваться кнопками + и –. В конструкции устройства предусмотрено четыре уровня громкости, а также возможность полного отключения звука. При достижении максимального уровня громкости послышится звуковой сигнал. При отключении звука послышится голосовое сообщение.

Использование встроенной радиостанции малого радиуса действия

Радиостанция малого радиуса действия позволяет общаться с находящимися рядом собеседниками в шумной обстановке.



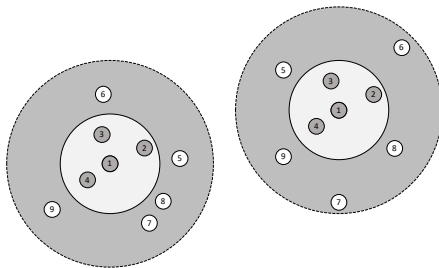
Радиус действия радиостанции достигает 10 метров. В пределах данного радиуса радиосвязь в полнодуплексном режиме могут поддерживать до четырех пользователей.



Чтобы поговорить с кем-либо в шумной среде, необходимо подойти к собеседнику. В радиусе 5–10 метров связь может быть слегка неустойчивой. В радиусе 3–5 м качество связи будет оптимальным.

Если все четыре полнодуплексных канала заняты (пользователи 1–4 на рисунке), прочие пользователи (5–9 на рисунке) не имеют возможности работать в режиме передачи, но могут принимать радиосигналы, т.е. слушать разговор. Количество принимающих пользователей не ограничено при условии их нахождения в радиусе 10 метров от источника радиосигналов.

ПРИМЕЧАНИЕ. При попытке осуществить передачу радиосигнала в условиях занятости всех четырех каналов пользователь услышит звуковые сигналы, указывающие на то, что его речь не передается в эфир.



Распределение каналов между пользователями зависит от их взаимного расположения. Соответствующие примеры показаны на рисунке.

Радиостанция малого радиуса действия включается, если уровень шума превышает приблизительно 80 дБ, а его продолжительность — приблизительно одну секунду.

Помимо этого, в условиях шума меньшей интенсивности предусмотрена возможность принудительного включения радиостанции пользователем. Для этого следует нажать кнопку радиопередачи РТТ. Принудительное включение возможно как в обычном режиме кнопочного включения радиопередачи РТТ, так и в режиме голосового включения радиопередачи VOX.

Включение радиостанции малого радиуса действия (рис. 7)

Переключение между режимом кнопочного включения радиопередачи РТТ, режимом отключения радиостанции и режимом голосового включения радиопередачи VOX осуществляется путем двойного нажатия кнопки РТТ.

Для включения радиопередачи в режиме кнопочного включения РТТ следует нажать и удерживать кнопку включения радиопередачи РТТ. В режиме голосового включения VOX радиопередача также может быть включена указанным способом.

Режим голосового включения радиопередачи VOX. В данном режиме радиостанция включается в условиях высокого уровня шума, после чего до четырех пользователей могут поддерживать разговор с голосовым включением радиопередачи. В условиях недостаточного уровня шума следует воспользоваться кнопкой включения радиопередачи РТТ.

Если шум имеет прерывистый характер, радиостанция будет включаться и выключаться в соответствии с характером шума. Помимо этого, в условиях такого шума можно использовать режим кнопочного включения радиопередачи РТТ.

Режим кнопочного включения радиопередачи РТТ. В данном режиме для включения радиопередачи следует воспользоваться кнопкой РТТ.

Режимом отключения радиостанции. В данном режиме радиопередача невозможна.

Кнопка включения радиопередачи РТТ (рис. 8)

Для включения радиопередачи следует нажать и удерживать кнопку РТТ, расположенную на левой чашке наушников.

Меню (рис. 4)

1. Для входа в меню следует нажать и удерживать кнопки + и -. В результате послышится голосовое сообщение.
2. Для перемещения по меню следует нажимать и отпускать кнопку -. Пункты меню описаны ниже.
3. Для перемещения по доступным значениям внутри каждого пункта меню следует использовать кнопку +. После перехода к каждому новому пункту меню раздаётся голосовое сообщение с названием пункта и его текущим значением. Изменение значения также будет подтверждено голосовым сообщением. Выход из меню осуществляется автоматически через несколько секунд после завершения последнего действия. После этого кнопки + и - вновь могут использоваться для изменения громкости звуков в динамиках чашек. Для регулирования громкости звука при нахождении в каком-либо пункте меню следует одновременно нажать кнопки + и -.

«Ambient/Environmental listening mode» («Громкость окружающих звуков»)

Громкость трансляции окружающих звуков может регулироваться вручную или путем выбора одного из четырех предустановленных режимов. В случае регулирования вручную предусмотрено четыре уровня громкости. Предустановленные режимы описаны ниже в таблице.

Режим	Описание
1. «Comfort» («Комфортный»)	Обеспечивает необходимую защиту в условиях шума высокой интенсивности
2. «Conversation» («Разговор»)	Обеспечивает естественный уровень громкости обычных звуков и защиту от внезапных звуков высокой интенсивности
3. «Patrolling» («Обход территории»)	Позволяет хорошо слышать окружающие звуки в условиях низкого уровня шума
4. «Overwatch» («Дежурство»)	Позволяет особенно хорошо слышать окружающие звуки в условиях отсутствия шума

«Battery» («Источники питания»)

Данный пункт меню позволяет выбрать тип используемых источников питания: щелочные элементы питания или аккумуляторы.

«Wireless input» («Беспроводное подключение»)

1. Настроить устройство 3M™ PELTOR™ TEP-LOOP.* согласно указаниям в руководстве по его эксплуатации.
2. С помощью данного пункта меню наушников выбрать

чувствительность беспроводного подключения в соответствии с подключенным устройством 3M™ PELTOR™ TEP-LOOP.*. Предусмотрены следующие значения чувствительности: «Off» («Выкл.»), «Low» («Низкая»), «Medium» («Средняя»), «High» («Высокая»).

3. При необходимости отрегулировать громкость внешней радиостанции.

ПРИМЕЧАНИЕ. Громкость трансляции может зависеть от расстояния между наушниками и устройством 3M™ PELTOR™ TEP-LOOP.*.

«Wired Input» («Проводное подключение»)

Данный пункт меню позволяет выбрать чувствительность проводного подключения в соответствии с подключенным устройством. Предусмотрены следующие значения чувствительности: «Low» («Низкая»), «High» («Высокая»).

«Balance» («Баланс»)

Данный пункт меню позволяет изменить баланс громкости левого и правого динамиков при трансляции окружающих звуков. Имеется семь вариантов настройки: «Center» («Центр»), «Left 1» («Левый 1»), «Left 2» («Левый 2»), «Max left» («Максимальный левый»), «Max right» («Максимальный правый»), «Right 2» («Правый 2»), «Right 1» («Правый 1»).

«Warning signals» («Предупреждающие сигналы»)

Данный пункт меню позволяет включать и отключать функцию трансляции предупреждающих голосовых сообщений «Low battery» («Низкий уровень заряда источников питания») и «Automatic power off» («Автоматическое отключение питания»).

«Automatic power off» («Автоматическое отключение питания»)

Данный пункт меню позволяет включать и отключать функцию автоматического отключения питания устройства.

«NIB frequency» («Частота радиопередачи»)

В Северной Америке, Австралии и Новой Зеландии радиостанция малого радиуса действия должна работать на частоте 915 МГц.

В Европе — на частоте 864 МГц.

Данный пункт меню позволяет установить требуемую частоту. Для перехода между значениями частоты следует воспользоваться кнопкой +. Для подтверждения выбранного значения необходимо нажать и удерживать указанную кнопку.

ПРИМЕЧАНИЕ. Не следует устанавливать частоту, не соответствующую региону эксплуатации устройства.

«Factory reset» («Сброс настроек»)

Данный пункт меню позволяет вернуть все настройки меню к их заводским значениям. Для этого после голосового сообщения «Confirm factory reset» («Подтвердить сброс

настроек») следует нажать кнопку +.

УСТРАНЕНИЕ НЕИСПРАВНОСТЕЙ, СВЯЗАННЫХ С РАДИОПЕРЕДАЧЕЙ

Неисправность	Возможная причина	Способ устранения
При попытке осуществить радиопередачу раздаются звуковые сигналы	Все четыре канала радиосвязи заняты	Дождаться появления свободного канала
При попытке осуществить радиопередачу раздаются звуковые сигналы	В пределах радиуса передачи отсутствуют принимающие наушники	Подойти ближе к собеседнику
Связь отсутствует	Установленная частота радиосвязи не соответствует региону эксплуатации устройства.	Войти в меню и установить надлежащую частоту. См. описание пункта меню «NIB frequency» («Частота радиопередачи»)
Связь отсутствует	Радиостанция не включена	Выбрать требуемый режим с помощью кнопки включения радиосвязи РТТ. См. раздел «Включение радиостанции малого радиуса действия»

ЧИСТКА И ТЕХНИЧЕСКОЕ ОБСЛУЖИВАНИЕ

Внешние поверхности чашек наушников, оголовье и обтюраторы необходимо регулярно мыть с мылом, используя для этого тряпку, смоченную в теплой воде.

ПРИМЕЧАНИЕ. ЗАПРЕЩАЕТСЯ погружать изделие в воду. Если устройство намочило от дождя или конденсата, следует повернуть чашки наружу, снять обтюраторы и звукоизоляционные прокладки, высушить устройство, после чего установить на место ранее снятые элементы. Обтюраторы и звукоизоляционные прокладки из вспененного полиуретана, могут изнашиваться в процессе использования. Необходимо регулярно осматривать их на предмет отсутствия трещин, щелей и других повреждений. При регулярном использовании наушников для обеспечения надежной защиты органов слуха, а также гигиены и комфорта, рекомендуется заменять звукоизоляционные прокладки и обтюраторы не реже двух раз в год. В случае повреждения обтюраторов они должны быть заменены. См. ниже раздел «Запасные

части и дополнительные принадлежности».

СНЯТИЕ И ЗАМЕНА ОБТЮРАТОРОВ

F:1. Для снятия обтюратора подцепить пальцами его внутренний край и с усилием вытянуть обтюратор из паза.

F:2. Удалить имеющуюся звукоизоляционную прокладку (прокладку) и установить новую (новые).

F:3. Вставить обтюратор одной стороной в желоб чашки. Надавить на противоположную сторону обтюратора, чтобы обтюратор зафиксировался в желобе со щелчком.

ЗАЩИТНАЯ ЛЕНТА МИКРОФОНА

Для защиты речевого микрофона от влаги и загрязнений можно воспользоваться защитной лентой НУМ1000.

Использование защитной ленты (рис. G)

G:1. Отрезать ножницами 100 мм ленты. Удалить защитную бумагу.

G:2. Поместить микрофон на край ленты, как показано на рисунке.

G:3. Накрывать микрофон лентой.

G:4. Тщательно облепить микрофон лентой.

G:5. Микрофон готов к эксплуатации.

ЗАПАСНЫЕ ЧАСТИ И ДОПОЛНИТЕЛЬНЫЕ ПРИНАДЛЕЖНОСТИ

3М™ PELTOR™ HY68 SV Гигиенический набор
Заменяемый гигиенический набор. Для обеспечения надежного звукопоглощения, а также гигиены и комфорта, необходимо менять гигиенический набор не реже двух раз в год.

3М™ PELTOR™ HY80-EU Гигиенический набор с силикагелевыми обтюраторами

3М™ PELTOR™ HY100A Одноразовые накладки
Одноразовые накладки, легко надеваемые на обтюраторы.

3М™ PELTOR™ MT73 Влагозащищенный микрофон
Влагозащищенный динамический речевой микрофон.

3М™ PELTOR™ M171/2 Ветрозащита микрофона

3М™ PELTOR™ НУМ1000 Защитная лента микрофона
Влаго- и ветронепроницаемая лента для защиты речевого микрофона.

3М™ PELTOR™ M60/2 Ветрозащита микрофонов для окружающих звуков

3М™ PELTOR™ HY450/1 Наголовник-подкладка
Используется с наушниками малого размера со складным оголовьем.

3М™ PELTOR™ LR03NM Никель-металлогидридный аккумулятор типоразмера AAA

ГАРАНТИЙНЫЕ ОБЯЗАТЕЛЬСТВА И ЗАЯВЛЕНИЕ ОБ ОГРАНИЧЕНИИ ОТВЕТСТВЕННОСТИ

ГАРАНТИЙНЫЕ ОБЯЗАТЕЛЬСТВА Если в изделии, произведенном Отделом средств индивидуальной защиты компании 3М, была обнаружена неисправность, вызванная дефектом материала или исполнения, либо неисправность, делающая невозможным использование изделия по заявленному назначению, изделие или его неисправные части должны быть отремонтированы или заменены компанией 3М, либо компания должна возместить клиенту их стоимость. Компания имеет право по своему усмотрению выбрать любое из перечисленных действий. Клиент не имеет права требовать от компании каких-либо иных действий кроме перечисленных. Гарантийные обязательства компании считаются недействительными, если клиент своевременно не уведомил компанию об обнаруженной неисправности, а также при отсутствии подтверждений того, что эксплуатация, техническое обслуживание и хранение изделия производились в соответствии с требованиями руководства по эксплуатации. **ЕСЛИ ИНОЕ НЕ ПРЕДУСМОТРЕНО ЗАКОНОДАТЕЛЬСТВОМ, НАСТОЯЩИЕ ГАРАНТИЙНЫЕ ОБЯЗАТЕЛЬСТВА ЯВЛЯЮТСЯ ЕДИНСТВЕННЫМИ И ЗАМЕНЯЮТ СОБОЙ ЛЮБЫЕ ЗАЯВЛЕННЫЕ ИЛИ ПОДРАЗУМЕВАВШИЕСЯ ГАРАНТИИ, КАСАЮЩИЕСЯ ПРИГОДНОСТИ ИЗДЕЛИЯ ДЛЯ ПРОДАЖИ И ДЛЯ ИСПОЛЬЗОВАНИЯ В КАКИХ-ЛИБО КОНКРЕТНЫХ ЦЕЛЯХ, А ТАКЖЕ КАСАЮЩИЕСЯ КАЧЕСТВА ИЗДЕЛИЯ, РАВНО КАК ПРОИСТЕКАЮЩИЕ ИЗ СЛОЖИВШЕЙСЯ ПРАКТИКИ И ПРИНЯТЫХ НОРМ ДЕЛОВЫХ ОТНОШЕНИЙ, ЗА ИСКЛЮЧЕНИЕМ ПРАВ СОБСТВЕННОСТИ И ПАТЕНТНОГО ПРАВА.** Гарантийные обязательства компании 3М не распространяются на изделия, вышедшие из строя вследствие ненадлежащих эксплуатации, технического обслуживания и хранения, несоблюдения указаний руководства по эксплуатации, внесения изменений в конструкцию устройства, а также вследствие несчастных случаев, халатности и использования изделия не по назначению.

ЗАЯВЛЕНИЕ ОБ ОГРАНИЧЕНИИ ОТВЕТСТВЕННОСТИ ЗА ИСКЛЮЧЕНИЕМ СЛУЧАЕВ, ПРЕДУСМОТРЕННЫХ ЗАКОНОМ, КОМПАНИЯ 3М НИ ПРИ КАКИХ УСЛОВИЯХ НЕ НЕСЕТ ОТВЕТСТВЕННОСТИ ЗА ПРЯМОЙ, НЕПРЯМОЙ, ОПРЕДЕЛЯЕМЫЙ ОСОБЫМИ ОБСТОЯТЕЛЬСТВАМИ, СЛУЧАЙНЫЙ И КОСВЕННЫЙ УЩЕРБ, ВКЛЮЧАЯ УПУЩЕННУЮ ПРИБЫЛЬ, ВОЗНИКШИЙ В СВЯЗИ С НАСТОЯЩИМ ИЗДЕЛИЕМ ВНЕ ЗАВИСИМОСТИ ОТ ЮРИСДИКЦИИ. ПРИ ОБНАРУЖЕНИИ НЕИСПРАВНОСТИ ИЗДЕЛИЯ КОМПАНИЯ НЕ ОБЯЗАНА ПРЕДПРИНИМАТЬ КАКИЕ БЫ ТО НИ БЫЛО ДЕЙСТВИЯ ПОМИМО ПЕРЕЧИСЛЕННЫХ ВЫШЕ.

ЗАПРЕТ НА ВНЕСЕНИЕ ИЗМЕНЕНИЙ В КОНСТРУКЦИЮ
Запрещается вносить изменения в конструкцию настоящего изделия без письменного разрешения

компании 3M Company. Несанкционированные изменения могут стать причиной аннулирования гарантийных обязательств производителя, а также утраты пользователем право на эксплуатацию изделия.

ПРИМЕЧАНИЕ.

- Запрещается одновременно использовать старые и новые элементы питания.
- Запрещается одновременно использовать щелочные элементы питания, обычные элементы питания и аккумуляторы.
- При утилизации элементов питания следует соблюдать требования местных нормативов, касающихся утилизации твердых отходов.
- Питание устройства должно осуществляться от незаряжаемых элементов питания типоразмера AAA или никель-металлогидридных аккумуляторов того же типоразмера (согласно соответствующему разделу руководства).

3M™ PELTOR™ ComTac™ VI NIB Headset MT20H682**.*N**

INLEDNING

Tack, och grattis till din kommunikationslösning från 3M™ PELTOR™! Välkommen till nästa generations hörselskydd med kommunikation.

AVSEDD ANVÄNDNING

Detta 3M™ PELTOR™-headset är avsett att skydda mot skadliga bullernivåer och höga ljud samtidigt som du kan höra omgivningsljud med omgivningsmikrofonerna, lyssna på ansluten kommunikationsenhet och kommunicera ansikte mot ansikte med integrerad NIB-funktion (naturlig interaktion) vid konstant hög ljudnivå. Alla som använder denna produkt förväntas läsa och förstå bifogad bruksanvisning samt vara bekanta med hur produkten används.

VIKTIGT

Läs och försäkra dig om att du förstår alla säkerhetsanvisningar i denna bruksanvisning innan du använder produkten. Spara dessa anvisningar för framtida referens. Kontakta 3M:s tekniska support (se kontaktinformation på sista sida) om du behöver mer information eller om du har några frågor.



WARNING

Detta hörselskydd reducerar din exponering för skadligt buller och andra höga ljud. Om du använder hörselskyddet på fel sätt eller inte använder det varje gång du är exponerad för skadligt buller kan följden bli hörselnedsättning eller hörselskada. Fråga din arbetsledare, se bruksanvisningen eller kontakta 3M teknisk support om du har frågor som rör användning. Om du upplever att du är lörhörd eller hör ringningar/surrande under eller efter exponering för buller (inklusive pistolskott) eller om du av någon anledning misstänker att du lider av hörselproblem, måste du omedelbart lämna den bullriga omgivningen och kontakta läkare och/eller arbetsledare.

Om du inte följer dessa anvisningar kan följden bli allvarlig skada eller dödsfall:

- När du lyssnar på musik eller annan ljudkommunikation kan din situationsmedvetenhet och förmåga att höra varningssignaler försämrans. Var uppmärksam, och ställ in lagom hög volym. När du lyssnar på underhållningsljud finns risk att du inte hör varningssignaler på arbetsplatsen.
- Använd inte denna produkt i potentiellt explosionsfarlig miljö (det finns risk att den orsakar en explosion).

Om du inte följer dessa anvisningar kan följden bli att hörselskyddets skyddande egenskaper försämrans, vilket i sin tur kan leda till hörselnedsättning:

- Forskningsresultat pekar på att användare får sämre brusreduktion än de dämpningsvärden som indikeras på förpackningen (detta beror på variation vad gäller passform, påtagningsteknik och användarens inställning). Se tillämpliga förordningar för riktlinjer om hur du kan justera märkvärden och uppskatta dämpningen. 3M rekommenderar också att du provar passformen för detta hörselskydd.
- Försäkra dig om att du väljer korrekt hörselskydd och att

- du använder, justerar och underhåller detta på korrekt sätt. Felaktig passform för denna produkt reducerar dess förmåga att dämpa buller. Se bifogade anvisningar om korrekt passform.
- Undersök hörselskyddet noggrant före varje användning. Om hörselskyddet är skadat byter du det mot ett fungerande hörselskydd (eller undviker den bullriga miljön).
 - När annan personlig skyddsutrustning måste användas (till exempel skyddsglasögon, andningskydd) är det viktigt att dessa har flexibla tunna skalmar eller band för att minimera deras påverkan på tätningssringen. Avlägsna alla andra onödiga föremål (till exempel hår, keps, smycken, hörlurar, hygienkydd) som kan försämrans tätningssringens tätningsegenskaper och på så sätt försämrans hörselskyddets skyddsegenskaper.
 - Ändra inte hjässbygels/nackbygels form (genom att böja eller forma om den). Försäkra dig om att bygeln trycker hörselskyddet tillräckligt hårt mot huvudet för att detta ska sitta ordentligt.
 - Hörselskydd (särskilt tätningssringar) kan slitas vid användning. Undersök dem därför regelbundet och kontrollera att de inte har sprickor och att de inte läcker. Vid regelbunden användning ska tätningssringar och skuminsatser bytas minst två gånger per år för att säkerställa skyddsegenskaper, hygien och komfort.
 - VARNING! Den elektriska ljudkretsens uteffekt på detta hörselskydd kan överstiga gränsvärdet för ljudnivå per dag. Ställ in lagom hög volym.
 - Följ anvisningarna ovan, annars kan hörselskyddets skyddseffekt kraftigt försämrans.

EN 352 säkerhetsmeddelande:

- Uteffekten från hörselskyddets nivåberoende krets kan överstiga gränsvärde för omgivningsljudnivå.
- Hygienkyddet kan försämrans hörselskyddets akustiska egenskaper.
- Prestandan kan försämrans när batterierna börjar bli urladdade. Typisk tid för hörselskyddets batteriladdning vid normal användning:
 - LDF och NIB: 30 timmar
 - LDF: 50 timmar
- Vissa kemiska ämnen kan vara skadliga för denna produkt. För mer information, kontakta tillverkaren av produkten.
- Detta hörselskydd har storlek (S). Hörselskydd som uppfyller EN 352-1 har storlek (S), (M) eller (L). Hörselskydd med storlek (M) passar de flesta användare. Hörselskydd med storlek (S) och (L) är utformade för personer som inte kan använda storlek (M).
- Denna produkt är inte lämplig för användning i miljö där det förekommer ljud med låg frekvens.

FÖRSIKTIGHET!

- Risk för explosion om batteriet byts ut mot felaktig typ av batteri.
- Använd alltid korrekta reservdelar från 3M. Denna produkts skyddande egenskaper kan försämrans om du använder icke-originalreservdelar.

OBS!

- När detta hörselskydd används enligt bruksanvisningen bidrar det till att reducera exponering för både kontinuerligt

buller (som till exempel det buller du utsätts för inom industri eller från fordon/flygplan) och mycket höga impulsbuller (som till exempel pistolskott). Det är svårt att förutsäga vilket nödvändigt och/eller faktiskt hörselskydd som uppnås vid exponering för impulsbuller. Vid pistolskott påverkas hörselskyddets prestanda av vapentypen, antal skott som skjuts, val av korrekt skydd, passform och användning av hörselskydd, korrekt skötsel av hörselskydd samt andra variabler. För mer information om hörselskydd för impulsbuller, se www.3M.com/hearing.

- Detta hörselskydd har nivåberoende dämpning. Kontrollera att denna funktion fungerar korrekt innan du använder hörselskyddet. Se tillverkarens underhållsanvisningar och anvisningar för batteribyte vid distorsion eller felfunktion.
- Detta hörselskydd har elektrisk ljudgång. Kontrollera att denna funktion fungerar korrekt innan du använder hörselskyddet. Se tillverkarens anvisningar vid distorsion eller felfunktion.
- Drifttemperatur: -20 till 55 °C
- Förvaringstemperatur: -20 till 55 °C
- Vikt för hörselskydd: MT20H682FB-**N** = 340 g, MT20H682BB-**N** = 313 g, MT20H682FB-**N** (HY80) = 379 g.
- Hållbarhetstid: 5 år (gäller inte batterier).

GODKÄNNANDEN

Härmed förklarar 3M Svenska AB att radiokommunikationen uppfyller direktiv 2014/53/EU och andra tillämpliga direktiv, vilket är kravet för CE-märkning. 3M Svenska AB förklarar också att detta headset avsett som personlig skyddsutrustning uppfyller Europaparlamentets och rådets förordning (EU) 2016/425 eller direktiv 89/686/EEG.

Tillämplig lagstiftning kan fastställas genom granskning av försäkran om överensstämmelse på www.3M.com/peltor/doc. Försäkran om överensstämmelse visar också om något annat typgodkännande är tillämpligt. Se artikelnummer för din produkt när du hämtar försäkran om överensstämmelse. Artikelnummer för ditt hörselskydd hittar du på undersidan av den ena kåpan (se bilden nedan).



Den personliga skyddsutrustningen granskas årligen (gäller endast kategori III-produkter) och har typgodkänts av finska Arbetshälsainstitutet (Finnish Institute of Occupational Health) (anmänt organ nummer 0403), Topeliusgatan 41 B, FI-00250 Helsingfors, Finland. Denna produkt har testats och godkänts enligt EN 352-1:2002, EN 352-4:2001/A1:2005, EN 352-6:2002.

Du kan också kontakta 3M i inköpslandet om du behöver en kopia av försäkran om överensstämmelse och ytterligare information som krävs enligt direktiven. Kontaktinformation finns på de sista sidorna av denna bruksanvisning.



Denna produkt innehåller elektriska och elektroniska komponenter och får inte avfallshandteras tillsammans med vanligt restavfall. Se lokala direktiv för information om avfallshandtering av elektrisk och elektronisk utrustning.

DÄMPNING UPPMÄTT AV PROVNINGSPROV

Dämpningsvärden (SNR) för denna produkt uppnåddes med produkten avstängd. Förklaring av tabeller för dämpning:

Europeisk standard EN 352

Forskningsresultat pekar på att användare får sämre brusreduktion än de dämpningsvärden som indikeras på förpackningen (detta beror på variation vad gäller passform, påtagningsteknik och användarens inställning). Se tillämpliga förordningar för riktlinjer om hur du kan justera märkvärden och uppskatta dämpningen. 3M rekommenderar också att du provar passformen för detta hörselskydd.

- A:1 Frekvens (Hz)
- A:2 Genomsnittlig dämpning (dB)
- A:3 Standardavvikelse (dB)
- A:4 Förväntad skyddseffekt (APV) (dB)
- A:5

H = uppskattat hörselskydd för ljud med hög frekvens ($f \geq 2\ 000\ \text{Hz}$).

M = uppskattat hörselskydd för ljud med medelhög frekvens (500 Hz < f < 2 000 Hz).

L = uppskattat hörselskydd för ljud med låg frekvens ($f \leq 500\ \text{Hz}$).

- A:6 Ekvivalentvärden
- H = ekvivalentvärde för högfrekvent buller
- M = ekvivalentvärde för medelfrekvent buller
- L = ekvivalentvärde för lågfrekvent buller

A:7 Ljudnivå för extern ingång enligt europeisk standard EN 352-6

- A:8 Insignalnivå U (mV, RMS)
- A:9 Medelljudtryck (dB(A))
- A:10 Standardavvikelse för ljudtryck (dB)
- A:11 Den insignalnivå för vilken medelvärdet + en standardavvikelse motsvarar 82 dB(A)

- B) Australisk/nyzeeländsk standard AS/NZS 1270:2002
- B:1 Testfrekvenser
- B:2 Genomsnittlig dämpning
- B:3 Standardavvikelse
- B:4 Medelvärde minus standardavvikelse (SD)

KOMPONENTER

- C:1 Vikbar hjässbygel
- C:2 Kåparmar
- C:3 Tvåpunktsupphängning
- C:4 Kåpa
- C:5 Batterilock
- C:6 Mikrofon för omgivningsljud
- C:7 Dämpningskudde
- C:8 Tätningssring

- C:9 Sladd för extern ingång (endast vissa modeller)
- C:10 Talmikrofon (endast vissa modeller)
- C:11 Nackbygel
- C:12 Ingång för talmikrofon (J22) (endast vissa modeller)
- C:13 (-)
- C:14 (+)
- C:15 NIB-talknapp (PTT)

MONTERINGSANVISNING

Hjässbygel

- D:1 Dra ut kåporna och vinkla kåpans överdel utåt (sladden ska sitta på utsidan av hjässbygeln).
- D:2 Håll hjässbygeln på plats och för kåporna upp eller ned för att justera höjden.
- D:3 Hjässbygeln ska sitta över hjässan (se bilden) och bära upp headsetets vikt.

Nackbygel

- D:4 Sätt kåporna på plats över öronen.
- D:5 Håll kåporna på plats – placera bygelbandet ovanpå huvudet och lås fast det (det ska sitta tätt mot huvudet).
- D:6 Bygelbandet ska sitta över hjässan.

E:1–E:2 Montera talmikrofon

Positionera talmikrofonen mycket nära munnen (närmare än 3 mm) för att den ska fungera så bra som möjligt i bullrig omgivning.

OBS! Vid användning på hög höjd (till exempel i flygplan/helikopter) kan omgivningstrycket sjunka snabbt och påverka mikrofonens känslighet. För att åtgärda detta positionerar du mikrofonen närmare munnen och/eller talar högre, så att trycket mot mikrofonens membran ökar.

ANVÄNDARINSTRUKTION

Byta batterier (bild 1)

- 1–2. Ta bort locken till batterifacket och sätt i batterierna (2 AAA-batterier).
3. Försäkra dig om att batterierna är vända åt rätt håll (se märkning i batterifacket).
4. Tryck ned locken tills de är ordentligt på plats när du stänger batterifacket (om locken inte tätar ordentligt mot kanten kan läckage uppstå). Låg batteriladdning indikeras med röstmeddelandet "low battery" (låg batteriladdning).

Sätta på och stänga av headsetet (bild 2)

Håll inne någon av knapparna (+) eller (-) i cirka 2 sekunder för att starta eller stänga av headsetet. Ett röstmeddelande bekräftar åtgärden. Den aktuella inställningen sparas när headsetet stängs av.

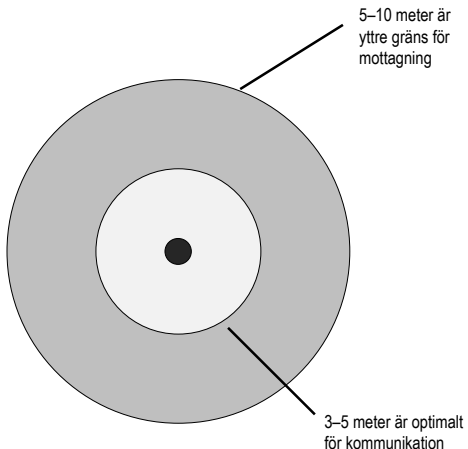
Headsetet stängs av automatiskt efter 2 timmar om det inte används. Detta indikeras med ett röstmeddelande under den sista minuten innan headsetet stängs av. Tryck på (+) eller (-) för att återställa avstängningstiden (2 timmar).

Justera volymen (bild 3)

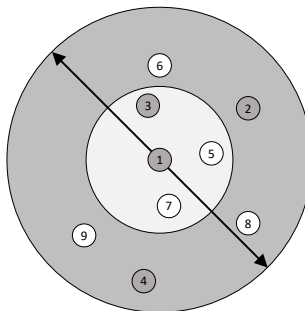
Håll inne någon av knapparna (-) eller (+) för att justera volymen för omgivningsljud. Volymen kan ställas in på fyra olika nivåer och omgivningsljudet kan stängas av. Vid lägsta och högsta nivå hör ett pip. Avstängt läge för omgivningsljud bekräftas med ett röstmeddelande.

Kommunikation ansikte mot ansikte med NIB-teknik

Med NIB-funktionen medges kommunikation ansikte mot ansikte på korta avstånd i omgivning med hög ljudnivå.



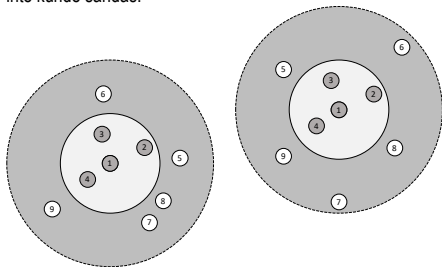
NIB-tekniken medger trådlös kommunikation inom en radie på 10 meter. Inom detta område kan fyra personer kommunicera med full duplex.



I omgivning med hög ljudnivå kan du enkelt prata med andra personer genom att ställa dig nära dem. NIB-tekniken aktiveras/avaktiveras vid 5–10 meters radie så att du kan prata med personer i närheten (kommunikationssignalen är optimal vid 3–5 meters radie).

När de fyra överföringskanalerna (1–4) med full duplex är upptagna kan andra användare lyssna men inte sända (på kanal 5–9). Den övre gränsen för antal lyssnare begränsas snarare av hur många personer som får plats inom 10 meters radie än av tekniken i sig.

OBS! När fyra eller fler användare sänder via NIB kommer användare nummer fem och ytterligare användare som försöker sända att höra pip. Dessa indikerar att utgående kommunikation inte kunde sändas.



Vilken NIB-grupp du tillhör varierar beroende på var ditt och de andra deltagarnas NIB-headset befinner sig.

NIB aktiveras vid omgivningsbuller som överstiger cirka 80 dB och som pågår i cirka 1 sekund.

Du kan själv aktivera NIB under 80 dB genom att trycka på PTT i antingen PTT- eller VOX-läge.

Aktivera NIB (bild 7)

Tryck snabbt två gånger på PTT för att bläddra mellan NIB PTT ON/NIB OFF/NIB VOX ON (NIB PTT PÅ/NIB AV/NIB VOX PÅ).

Håll inne NIB-talkknappen (PTT) för att kommunicera inom 10 meters radie i läge NIB VOX PÅ och NIB PTT PÅ.

NIB VOX PÅ: I detta läge aktiverar höga ljudnivåer NIB-radion (detta medger VOX-kommunikation för upp till fyra användare). Tryck på talkknappen (PTT) i läge VOX PÅ för att kunna kommunicera även när det är tyst i omgivningen.

När headsetet används i en miljö med varierande ljudnivå kan följden bli att NIB VOX aktiveras/avaktiveras återkommande. För att åtgärda detta kan du använda funktionen NIB PTT PÅ.

NIB PTT PÅ: I detta läge måste talkknappen (PTT) tryckas in för att det ska gå att sända.

NIB AV: I detta läge är NIB-radion AVSTÄNGD. I läge NIB AV sänds ingen RF-signal från NIB-radion.

Talknapp för NIB (bild 8)

Håll inne talkknappen (PTT) på vänster kåpa för att sända med NIB.

Öppna menyn (bild 4)

- Håll inne knapparna (+) och (–) för att öppna menyn. Ett röstmeddelande bekräftar.
- Tryck snabbt på knappen (–) för att bläddra i menyn. De olika menystegen visas nedan.
- Tryck på (+) för att ändra inställningen och bläddra igenom inställningarna (förutsatt att det finns inställningsmöjligheter för funktionen). Ett röstmeddelande bekräftar varje steg, följt av

aktuell inställning. Eventuella ändringar bekräftas också med ett röstmeddelande. Efter några sekunders inaktivitet återgår menyn till volymläge. Tryck på (+) och (–) från vilket menyteyg som helst för att öppna volyminställningen.

Ambient/Environmental listening mode (Läge för omgivningsljud)

Läge för omgivningsljud finns i standardläge och avancerat läge. I standardläge kan du justera volymen i fyra steg genom att reglera ljudnivån för omgivningsljudet. Avancerat läge har fyra förinställda inställningar som är optimerade för olika ljudprofiler.

Inställning	Avsedd användning
Avancerat läge 1 (komfort)	För hög komfort i omgivning med mycket höga ljudnivåer.
Avancerat läge 2 (konversation)	För en naturlig ljudupplevelse där det krävs skydd mot plötsliga höga ljud.
Avancerat läge 3 (patrullering)	För hög situationsmedvetenhet i miljö med låga ljudnivåer.
Avancerat läge 4 (övervakning)	För mycket hög situationsmedvetenhet i tyst miljö.

Battery (Batteri)

Välj vilken typ av batteri som används i headsetet (alkaliskt eller uppladdningsbart).

Wireless input (Trådlös ingång)

- Följ anvisningar i bruksanvisningen för 3M™ PELTOR™ TEP-LOOP-[®] när du ska ställa in halsslingan.
- Öppna headsetets meny och justera trådlös ingång och känslighet så att dessa överensstämmer med ansluten halsslinga. Välj mellan Off (av), Low (låg), Medium (medel) och High (hög).
- Justera vid behov volymen för extern radio.

OBS! Volymen kan variera beroende på avstånd mellan headsetet och halsslinga.

Wired input (Ingång för sladdanslutning)

Justera ingång för sladdanslutning och känsligheten så att dessa är anpassade till sladdanslutenhet. Välj mellan Low (låg) och High (hög).

Balance (Balans)

Med inställningar för balans justerar du balansen mellan vänster och höger öra. Den kan ställas in i sju nivåer: Center (centrerad), Left 1 (vänster 1), Left 2 (vänster 2), Max left (max. vänster), Max right (max. höger), Right 2 (höger 2) och Right 1 (höger 1).

Warning signals (Varningssignaler)

Med inställningen för varningssignaler aktiverar/avaktiverar du varningssignalerna för "low battery" (låg batteriladdning) och för "automatic power off" (automatisk avstängning). Ingen av dessa varningssignaler hörs när funktionen är avstängd.

Automatic Power Off (automatisk avstängning)

Med funktionen för automatisk avstängning aktiverar/avaktiverar du funktionen automatisk avstängning.

NIB frequency (NIB-frekvens)

För Nordamerika, Australien och Nya Zeeland är NIB-frekvensen 915 MHz.

För Europa är NIB-frekvensen 864 MHz.

Välj NIB-frekvens (864 MHz för EU eller 915 MHz för USA, AUS, NZ). Tryck på (+) för att välja och håll inne (+) för att bekräfta valet.

OBS! Försäkra dig om att du använder en frekvens som är godkänd för den region där du befinner dig.

Factory reset (fabriksinställning)

Används för att återställa alla menyinställningar till ursprungliga fabriksinställda värden. För att bekräfta denna inställning trycker du på (+) när du hör röstmeddelandet "confirm factory reset" (bekräfta fabriksinställningar).

FELSÖKNING FÖR NIB

Problem	Möjliga orsaker	Åtgärd
Headsetet piper vid överföring.	NIB-kanalen används av fyra personer.	Vänta tills ledig plats uppkommer.
Headsetet piper vid överföring.	Inget annat headset i närheten.	Försäkra dig om att det finns ett annat headset i närheten.
Jag kan inte höra eller kommunicera med andra.	Du använder en NIB-frekvens som inte är godkänd för den region där du befinner dig.	Välj korrekt NIB-frekvens i meny. Se NIB-frekvens.
Jag kan inte höra eller kommunicera med andra.	NIB är inte aktiverad.	Välj mellan de olika lägena med talnappen (PTT). Se Aktivera NIB.

RENGÖRING OCH UNDERHÅLL

Rengör ytterkåpor, hjässbygel och tättningsringar med trasa fuktad med tvål och varmt vatten.

OBS! Doppa inte hörselskyddet i vatten. Om hörselskyddet blir fuktigt av regn eller svett vränger du hörselkåpan, avlägsnar tättningsringarna och skuminsatserna och låter allt torka innan du monterar hörselskyddet igen. Tättningsringar och skuminsatser kan slitas vid användning. Undersök dem därför regelbundet och kontrollera att de inte har sprickor eller annan skada. Vid regelbunden användning rekommenderar 3M att skuminsatser och tättningsringar byts minst två gånger per år för att säkerställa dämpning, hygien och komfort. Byt ut skadad tättningsring. Se avsnittet med reservdelar nedan.

AVLÄGSNANDE OCH BYTE AV TÄTNINGSRINGAR

F:1 För in fingrarna under tättningsringarna och dra rakt ut.
F:2 Avlägsna de befintliga skuminsatserna och sätt i nya.

F:3 Sätt i tättningsringens ena sida i skåran på kåpan och tryck på motsatt sida tills tättningsringen snäpper på plats.

APPLICERA MIKROFONSKYDDSTEJP

Skydda talmikrofonen mot fukt och smuts med HYM1000 Mikrofonskydd.

Applicera mikrofonskydd (bild G):

G:1 Klipp av 100 mm mikrofonskydd med en sax. Avlägsna allt skyddspapper.

G:2 Placera mikrofonen i änden av tejen (se bilden).

G:3 Vik skyddstejen runt mikrofonen. Försäkra dig om att hela mikrofonen täcks.

G:4 Tryck lätt på skyddstejen så att den förseglas.

G:5 Nu är mikrofonen färdig för användning.

RESERVDELAR OCH TILLBEHÖR

3M™ PELTOR™ HY68 SV Hygiensats

Utbyteshygiensats. Byt minst två gånger per år för att säkerställa dämpning, hygien och komfort.

3M™ PELTOR™ HY80-EU Hygiensats gel

3M™ PELTOR™ HY100A Engångsskydd
Engångsskydd som är enkelt att sätta fast på tättningsringarna.

3M™ PELTOR™ MT73 Vattentätlig mikrofon
Vattentätlig dynamisk talmikrofon.

3M™ PELTOR™ M171/2 Vindskydd för mikrofon

3M™ PELTOR™ HYM1000 Mikrofonskydd
Fukt- och vindtätlig tejp för skydd av talmikrofon.

3M™ PELTOR™ M60/2 Vindskydd för omgivningsmikrofoner

3M™ PELTOR™ HY450/1 Bygelvaddering
Används för vikbar hjässbygel i storlek (S).

3M™ PELTOR™ LR03NM NiMH-batteri (AAA)

GARANTI OCH BEGRÄNSNING AV ANSVAR

GARANTI: Om någon produkt från 3M Personal Safety Division visar sig vara defekt vad gäller material eller sammansättning, eller om den inte uppfyller uttrycklig garanti av särskild anledning, påtar sig 3M för din räkning endast att reparera, byta ut eller ersätta dig för inköpspriset för sådan komponent eller produkt efter att du i tid har meddelat om problemet och kan styrka att produkten har lagrats, underhållits och använts enligt 3M:s skriftliga anvisningar. FÖRUTOM I DE FALL DÄR DET ÄR FÖRBJUDET ENLIGT LAG, ÄR DENNA GARANTI EXKLUSIV OCH ERSÄTTER ALLA UTTRYCKLIGA OCH UNDERFÖRSTÅDDA GARANTIER OM SÄLJBARHET, LÄMPLIGHET FÖR VISST ÄNDAMÅL, ANDRA KVALITETSGARANTIER ELLER GARANTIER MED ANLEDNING AV PARTSBRUK, TULL ELLER HANDELSBRUK MED UNDANTAG FÖR TITEL OCH MOT PATENTINTRÅNG. 3M avsäger sig allt ansvar under denna garanti gällande alla produkter som har havererat på grund av olämplig eller

felaktig lagring, hantering eller underhåll; underlåtenhet att följa produktanvisningarna eller ändring av eller skada på produkten som orsakas av olycka, försummelse eller felaktig användning.

BEGRÄNSNING AV ANSVAR: FÖRUTOM I DE FALL DÄR DET ÄR FÖRBJUDET ENLIGT LAG, FRISKRIVER SIG 3M FRÅN ALL DIREKT, INDIREKT, SÄRSKILD, OLYCKSRELATERAD ELLER FÖLJDRELATERAD FÖRLUST ELLER SKADA (INKLUSIVE UTEBLIVEN ERSÄTTNING) SOM UPPKOMMER PÅ GRUND AV DENNA PRODUKT, OAVSETT VILKEN RÄTTSLIG TEORI SOM GÖRS GÄLLANDE. ERSÄTTNINGEN SOM ANGES HÄR ÄR EXKLUSIV.

MODIFIERINGAR ÄR INTE TILLÅTNA: Modifieringar av denna enhet får utföras endast efter skriftligt tillstånd från 3M. Om modifieringar utförs utan godkännande från 3M leder detta till att garantin upphör att gälla och till att användaren förlorar rätten att använda utrustningen.

OBS!

- Blanda inte ihop nya och gamla batterier!
- Blanda inte ihop alkaliska batterier, standardbatterier eller uppladdningsbara batterier.
- Följ lokala förordningar vid avfallshantering av batteri.
- Använd endast ej uppladdningsbara AAA-batterier eller uppladdningsbara NiMH-batterier.

3M™ PELTOR™ ComTac™ VI NIB Headset MT20H682***N**

ÚVOD

Blahoželáme vám a ďakujeme, že ste si vybrali komunikačné riešenia 3M™ PELTOR™! Víta vás nová generácia ochrannej komunikácie.

URČENÉ POUŽITIE

Táto slúchadlová súprava 3M™ PELTOR™ je určená na to, aby poskytovala ochranu pred nebezpečnými úrovňami hluku a hlasnými zvukmi, pričom používateľ môže súčasne prostredníctvom ruchových mikrofónov počúvať okolité zvuky, počúvať pripojené komunikačné zariadenia a osobne komunikovať prostredníctvom integrovanej technológie prirodzenej interakcie (Natural Interaction Behavior – NIB) pri vysokých úrovniach ustáleného hluku. Očakáva sa, že všetci používatelia si prečítajú uvedené pokyny pre používateľov a pochopia ich, ako aj sa oboznámia s používaním tohto zariadenia.

DÔLEŽITÉ

Pred použitím si prečítajte všetky bezpečnostné informácie uvedené v tomto návode, porozumejte im a konajte v súlade s nimi. Tento návod si odložte pre potrebu v budúcnosti. Ďalšie informácie vám podá a vaše otázky zodpovie technický servis spoločnosti 3M (kontaktné informácie sú uvedené na poslednej strane).



UPOZORNENIE

Tieto chrániče sluchu pomáhajú znižovať expozíciu nebezpečnému hluku a iným hlasitým zvukom. Nesprávne používanie alebo nepoužívanie ochrany sluchu pri každej expozícii nebezpečnému zvuku môže mať za následok stratu sluchu alebo jeho poškodenie. Informácie o správnom používaní vám podá nadriadený, sú uvedené v návode na používanie alebo zatelefonujte technickému servisu spoločnosti 3M. Ak sa vám zdá, že máte otupený sluch, ak počas expozície hluku (vrátane strelby) alebo po nej vám zvoní alebo bzučí v ušiach alebo ak z akéhokoľvek iného dôvodu máte podozrenie na problém s počúvaním, okamžite odíďte z hlučného prostredia a obráťte sa na lekára a/alebo svojho nadriadeného.

V prípade nedodržania týchto pokynov môže dôjsť k vážnemu zraneniu alebo smrti:

- Počúvanie hudby alebo inej audiokomunikácie môže znížiť úroveň toho, ako si uvedomujete situáciu okolo seba a schopnosť počuť výstražné signály. Buďte ostražití a hlasitosť zvuku nastavte na najnižšiu prijateľnú úroveň. Používanie zariadenia určeného na zábavu môže na určitých pracoviskách zhoršovať počuteľnosť výstražných signálov.
- Aby sa znížilo riziko súvisiace so vznikom výbuchu, nepoužívajte tento výrobok v potenciálne výbušnom prostredí.

V prípade nedodržania týchto pokynov sa môže znížiť ochrana poskytovaná slúchadlami a môže dôjsť k strate sluchu:

- Výskum naznačuje, že u používateľov dochádza kvôli

rôznemu sedeniu slúchadiel, rôznej zručnosti ich nasadenia a motíváci používateľa k menšiemu zníženiu hlučnosti, ako sú hodnoty tlmenia uvedené na obale. Vysvetlenie, ako upraviť hodnoty uvedené na štítkoch a odhadované tlmenie sú uvedené v príslušných predpisoch. Okrem toho spoločnosť 3M dôrazne odporúča, aby ste si otestovali, ako vám chrániče sluchu sedia.

- Zaistíte správny výber, sedenie, nastavenie a údržbu chráničov sluchu. Nesprávne vloženie tohto zariadenia zníži efektívnosť tlmenia hluku. Informácie o správnom vložení sú uvedené v priloženom návode.
- Pred každým použitím chrániče sluchu skontrolujte. Ak sú poškodené, vyberte si nepoškodené chrániče sluchu alebo sa vyhňte hlučnému prostrediu.
- Ac sú potrebné ďalšie osobné ochranné prostriedky (napr. bezpečnostné okuliare, respirátory atď.), vyberte si také, ktoré majú ohybné nožičky alebo remienky s nízkym profilom, ktorý minimalizuje interferenciu s tesnením vankúšikov slúchadiel. Odstráňte všetky nepotrebné predmety (napr. vlasy, čiapky, šperky, slúchadlá, hygienické kryty atď.), ktoré by mohli zabrániť tesneniu vankúšikov slúchadiel a znížiť ochranu slúchadiel.
- Hlavový pás ani pás na krk neohýbajte ani nemeňte jeho tvar a zaistite, aby dostatočne silno pridržiaval slúchadlá pevne na mieste.
- Chrániče, najmä vankúšiky slúchadiel, sa počas používania môžu poškodiť, preto je potrebné ich často kontrolovať, či nie sú prasknuté a či cez ne nepreniká hluk. Pri pravidelnom používaní vymieňajte penové vložky a vankúšiky slúchadiel minimálne dvakrát ročne, aby sa zachovali konzistentné tlmenie, hygiena a pohodlie.
- Výstup zvukového elektrického obvodu chráničov sluchu môže prekročiť dennú povolenú úroveň hlasitosti. Hlasitosť zvuku nastavte na najnižšiu prijateľnú úroveň.
- V prípade nedodržania odporúčaní uvedených vyššie bude ochrana poskytovaná slúchadlami výrazne znížená.

Bezpečnostné vyhlásenia EN 352:

- Výstup obvodu chráničov sluchu pre fungovanie v závislosti od výšky zvuku môže prekročiť úroveň hlasitosti externého zvuku.
- Používanie hygienických obalov môže ovplyvniť akustickú účinnosť chráničov.
- Čím sú batérie viac vybité, tým nižší môže byť výkon. Typické obdobie nepretržitého používania, ktoré možno očakávať od batérie slúchadiel:
 - LDF a NIB: 30 hodín
 - LDF: 50 hodín
- Niektoré chemické látky môžu chrániče poškodiť. Podrobnejšie informácie si vyžiadať od výrobcu.
- Tieto chrániče sluchu majú malý rozsah veľkosti. Chrániče sluchu, ktoré spĺňajú požiadavky normy EN 352-1, majú strednú, malú alebo veľkú veľkosť. Väčšina používateľov nosí chrániče sluchu strednej veľkosti. Chrániče sluchu malej alebo veľkej veľkosti sú určené pre osoby, ktorým nesedia chrániče sluchu strednej veľkosti.
- Výrobok nie je vhodný pre vysoké hladiny nepretržitého zvuku nízkej frekvencie.

UPOZORNENIE

- Ak sa batéria vymení za batériu nesprávneho typu, hrozí riziko výbuchu.
- Vždy používajte náhradné diely špecifické pre produkt 3M. Pri použití neautorizovaných náhradných dielov sa môže znížiť ochrana zaistovaná týmto výrobkom.

POZNÁMKA

- Ak sú tieto chrániče sluchu nasadené v súlade s návodom na používanie, pomáhajú znížiť expozíciu nepretržitému hluku, ako je napríklad priemyselný hluk, hluku vytváranému vozidlami a lietadlami, ako aj veľmi hlasnému impulznému hluku ako strelba. Je ťažké predpovedať požadovanú a/alebo skutočnú ochranu sluchu dosiahnutú počas expozície impulznému hluku. Na výkon má vplyv strelba, typ zbrane, počet vystrelených nábojov, správny výber, vloženie a použitie chráničov sluchu, správna starostlivosť o chrániče sluchu a ďalšie premenné. Ďalšie informácie o ochrane sluchu pred impulzným hlukom sú uvedené na internetovej stránke www.3M.com/hearing.
- Tieto chrániče sluchu sú vybavené systémom tlmenia v závislosti od výšky zvuku. Pred použitím skontrolujte, či tento vstup pracuje správne. Ak používateľ zistí poškodenie alebo poruchu, musí sa riadiť odporúčaniami výrobcu týkajúcimi sa údržby a výmeny batérií.
- Tieto chrániče sluchu sú vybavené elektrickým vstupom pre zvukový signál. Pred použitím skontrolujte, či tento vstup pracuje správne. Ak používateľ zistí poškodenie alebo poruchu, musí sa riadiť odporúčaniami výrobcu.
- Rozsah prevádzkovej teploty: – 20 °C až 55 °C
- Rozsah skladovacej teploty: – 20 °C až 55 °C
- Hmotnosť chráničov sluchu: MT20H682FB-**N** = 340 g, MT20H682BB-**N** = 313 g, MT20H682FB-**N** (HY80) = 379 g.
- Doba skladovania: 5 rokov, bez batérií.

OSVEDČENIA

Spoločnosť 3M Svenska AB vyhlasuje, že rádiová komunikácia je v súlade so smernicou 2014/53/EÚ a ostatnými príslušnými smernicami, aby spĺňala požiadavky na označenie symbolom CE. Spoločnosť 3M Svenska AB súčasne vyhlasuje, že slúchadlová súprava typu OOP je v súlade s nariadením (EÚ) 2016/425 alebo smernicou Spoločenstva 89/686/EHS.

Príslušná legislatíva je uvedená vo Vyhlásení o zhode na internetovej stránke www.3M.com/peltor/doc. Vo vyhlásení o zhode je aj uvedené, či sú aktuálne aj niektoré iné schválenia typu. Pri vyhľadávaní vášho vyhlásenia o zhode je potrebné, aby ste našli číslo dielu. Číslo dielu vašich slúchadiel je uvedené na dne jedného slúchadla. Príklad vidieť na obrázku nižšie.



Výrobok OOP sa každoročne kontroluje (ak ide o výrobky kategórie III) a ich typ schvaľuje Finnish Institute of Occupational Health (Fínsky inštitút pre ochranu zdravia pri

práci), číslo notifikovaného orgánu 0403, Topeliuksenkatu 41 b, FI-00250 Helsinki, Fínsko. Výrobok bol testovaný a schválený v súlade s normami EN 352-1:2002, EN 352-4:2001/A1:2005, EN 352-6:2002.

Ak máte záujem o kópiu vyhlásenia o zhode a ďalšie informácie požadované v smerniciach, obráťte sa na spoločnosť 3M v krajine, kde ste si produkt zakúpili. Kontaktné informácie sú uvedené na posledných stranách týchto pokynov pre používateľa.



Tento výrobok obsahuje elektrické a elektronické komponenty a nesmie sa zlikvidovať do bežného domového odpadu. Informácie o likvidácii elektrických a elektronických zariadení nájdete v miestnych smerniciach.

TLMENIE HLUKU V LABORÁTORÝCH PODMIENKACH

Hodnota tlmenia (SNR) sa získala pri vypnutom zariadení. Vysvetlenie tabuliek s údajmi o tmení hluku:

Európska norma EN 352

Výskum naznačuje, že u používateľov dochádza kvôli rôznemu sedeniu slúchadiel, rôznej zrúcnosti ich nasadenia a motivácii používateľa k menšiemu zníženiu hlučnosti, ako sú hodnoty tlmenia uvedené na obale. Vysvetlenie, ako upraviť hodnoty uvedené na štítkoch a odhadované tlmenie sú uvedené v príslušných predpisoch. Okrem toho spoločnosť 3M dôrazne odporúča, aby ste si otestovali, ako vám chrániče sluchu sedia.

A:1 Frekvencia (Hz)

A:2 Stredné tlmenie (dB)

A:3 Štandardná odchýlka (dB)

A:4 Predpokladaná hodnota ochrany, APV (dB)

A:5

H = Odhad ochrany sluchu pre zvuky s vysokou frekvenciou ($f \geq 2000$ Hz).

M = Odhad ochrany sluchu pre zvuky so strednou frekvenciou ($500 \text{ Hz} < f < 2000$ Hz).

L = Odhad ochrany sluchu pre zvuky s nízkou frekvenciou ($f \leq 500$ Hz).

A:6 Hladina kritérií

H = Hladina kritérií pre zvuk vysokej frekvencie

M = Hladina kritérií pre zvuk strednej frekvencie

L = Hladina kritérií pre zvuk nízkej frekvencie

A:7 Európska norma EN 352-6 Úroveň externého vstupu audia

A:8 Úroveň vstupného signálu U (mV, RMS)

A:9 Stredná hladina akustického tlaku (dB(A))

A:10 Štandardná odchýlka akustického tlaku (dB)

A:11 Hladina vstupného signálu, pre ktorú stred plus jedna štandardná odchýlka rovná sa 82 dB(A)

B) Norma v Austrálii/na Novom Zélande AS/NZS 1270:2002

B:1 Testovacie frekvencie

B:2 Stredné tlmenie, Mean att

B:3 Štandardná odchýlka, St dev

B:4 Stredné mínus ŠO

KOMPONENTY

- C:1 Skladací hlavový pás
- C:2 Podporné rameno slúchadla
- C:3 Dvojbodové upevňovacie prvky
- C:4 Slúchadlo
- C:5 Kryt batérie
- C:6 Mikrofón na počúvanie okolitého zvuku
- C:7 Tlmiaca vložka
- C:8 Vankúšik slúchadla
- C:9 Kábel externého vstupu (len špecifické modely)
- C:10 Hlasový mikrofón (len špecifické modely)
- C:11 Pás na krk
- C:12 Vstup pre hlasový mikrofón (J22) (len špecifické modely)
- C:13 Tlačidlo [-] na klávesnici
- C:14 Tlačidlo [+] na klávesnici
- C:15 NIB PTT

NAVOD NA VLOŽENIE

Hlavový pás

- D:1 Vysuňte slúchadlá a hornú časť slúchadla nakloňte von, pretože kábel musí byť na vonkajšej strane hlasového pásu.
- D:2 Nastavte výšku slúchadiel tak, že ich posuniete nahor alebo nadol a zároveň budete držať pás na mieste.
- D:3 Hlavový pás by mal byť umiestnený navrchu hlavy, ako je vyobrazené, a mal by byť oporou pre hmotnosť slúchadlovej súpravy.

Pás na krk

- D:4 Umiestnite slúchadlá do polohy na ušiach.
- D:5 Slúchadlovú súpravu nechajte v polohe, popruh na temeno umiestnite navrch hlavy a pevne ho zablokujte v tejto polohe.
- D:6 Popruh na temeno by mal byť umiestnený na vrchu hlavy.

E:1 – E:2 Pripevnenie hlasového mikrofónu

Aby sa maximalizoval výkon hlasového mikrofónu v hlučných oblastiach, musí byť hlasový mikrofón umiestnený veľmi blízko pri ústach (menej ako 3 mm).

POZNÁMKA: Pri používaní na vysokých nadmorských výškach/v letectve sa môže okolitý tlak rýchlo znížiť a ovplyvniť citlivosť mikrofónu, napríklad počas stúpania helikoptéry. V takom prípade umiestnite mikrofón bližšie a/alebo hovorte hlasnejšie, aby ste zvýšili tlak na membránu mikrofónu.

PREVÁZKOVÉ POKYNY

Výmena batérií (obr. 1)

- 1 – 2 Snímate kryty oddelenia na batérie a vložte batérie (2 x AAA).
- 3. Polarita batérií musí zodpovedať značkám v oddelení na batérie.
- 4. Kryty sa musia po celej ploche prítlačiť, aby dobre dosadli. Nízkou úroveň nabitia batérií opakovane oznámi hlasová správa „low battery“ (nízka úroveň nabitia batérií).

Zapnutie a vypnutie slúchadlovej súpravy (obr. 2)

Slúchadlovú súpravu zapnete/vypnete stlačením tlačidla [+] alebo [-] približne na 2 sekundy. Zaznie potvrdzujúca hlasová správa. Aktuálne nastavenie sa pri vypnutí zariadenia vždy uloží okrem situácie.

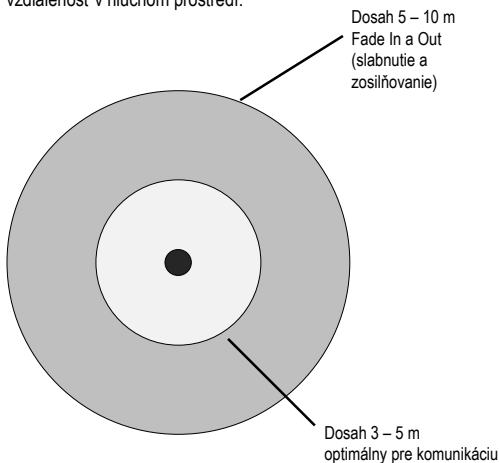
Slúchadlová súprava sa po dvoch hodinách neaktivity automaticky vypne. Poslednú minútu bude znieť hlasová správa a následne sa slúchadlová súprava vypne. Ak chcete vynulovať dvojhodinový časový interval odpočítavania, stlačte tlačidlo [+] alebo [-].

Nastavenie hlasitosti (obr. 3)

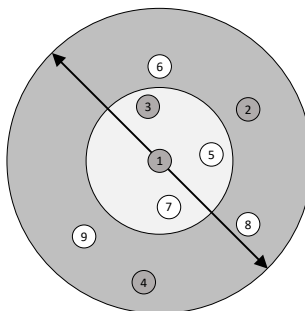
Stlačením tlačidla [+] alebo [-] možno nastaviť hlasitosť počúvania okolitého zvuku. K dispozícii sú štyri nastavenia úrovne a možnosť vypnúť počúvanie okolitého zvuku. Maximálne nastavenia potvrdí pípnutie. Vypnutie režimu počúvania okolitého zvuku potvrdí hlasová správa.

Osobná komunikácia prostredníctvom technológie NIB

Technológia NIB umožňuje osobnú komunikáciu na krátku vzdialenosť v hlučnom prostredí.



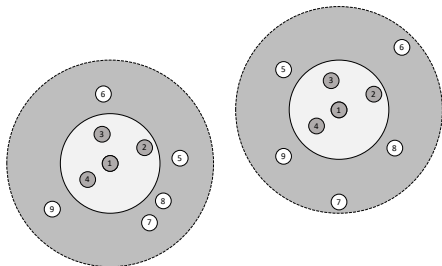
Technológia NIB umožňuje bezdrôtovú komunikáciu v rámci dosahu 10 metrov. Úplnú obojsmernú komunikáciu pre maximálne štyroch ľudí v rámci tohto okruhu.



V hlučných prostrediach stačí jednoducho prísť k osobe, s ktorou chcete hovoriť. Technológia NIB bude zľahka zoslabovať a zosilňovať (dosah 5 – 10 m) a umožní komunikáciu s ľuďmi v blízkosti. Zostaňte v dosahu 3 – 5, aby ste mali zaručený optimálny komunikačný signál.

Keď sú štyri kanály na úplný obojsmerný prenos obsadené (1 – 4), ostatní používatelia môžu počúvať, nemôžu však vykonávať prenos (5 – 9). Horný limit počúvajúcich je obmedzený na počet ľudí, ktorí sa zместia do dosahu 10 m, a nie technologickými obmedzeniami.

POZNÁMKA: Ak sa usilujú vykonávať prenos prostredníctvom technológie NIB viac ako štyria používatelia, 5. a každý ďalší používateľ, ktorý sa pokúsi o vykonanie prenosu, bude počuť pípanie indikujúce, že odchádzajúca komunikácia sa neprenáša.



Ku ktorej skupine NIB patríte, závisí od toho, kde sa nachádzate vy a ostatné slúchadlové súpravy NIB.

Funkcia NIB funguje, keď hladina okolitých zvukov prekročí približne 80 dB a kde je hluk nepretržitý minimálne 1 sekundu.

Funkcia NIB funguje aj pri nižšej hladine okolitého zvuku ako 80 dB, ak používateľ stlačí v režime PTT alebo VOX tlačidlo PTT.

Aktivovanie funkcie NIB (obr. 7)

Rýchlym dvojitým stlačením tlačidla PTT možno prepínať medzi možnosťami NIB PTT ON (NIB PTT Zap.)/NIB OFF (NIB Vyp.)/NIB VOX ON (NIB VOX Zap.).

Stlačenie a podržanie tlačidla NIB PTT umožňuje komunikáciu v rámci rozsahu 10 m, ak je zariadenie v režime NIB VOX ON (NIB VOX Zap.) a NIB PTT ON (NIB PTT Zap.).

NIB VOX ON (NIB VOX Zap.) – V tomto režime vysoké úrovne zvuku aktivujú rádio NIB a umožnia komunikáciu VOX pre maximálne štyroch používateľov. Stlačenie tlačidla PTT v režime VOX ON (VOX Zap.) umožňuje komunikáciu aj v tichom prostredí.

Keď sa slúchadlová súprava používa v prostredí s prerušovaným hlukom, hluk môže opakovane aktivovať režim NIB VOX. V takejto situácii môže použiť režim NIB PTT ON (NIB PTT Zap.).

NIB PTT ON (NIB PTT Zap.) – V tomto režime je nutné stlačiť za účelom prenosu tlačidlo PTT.

NIB OFF (NIB Vyp.) – tento režim VYPÍNA rádio NIB. V režime

NIB OFF (NIB Vyp.) rádio NIB nevydáva žiadny RF signál.

Push-to-talk (Stlače a hovor) pre NIB (obr. 8)

Stlačením a podržaním tlačidla PTT na ľavom slúchadle vykonajte prenos prostredníctvom funkcie NIB.

Otvorenie ponuky (obr. 4)

1. Ponuku otvoríte stlačením a podržaním tlačidla [+] a [-]. Zaznie potvrdzujúca hlasová správa.
2. Krátkym stlačením tlačidla [-] možno prechádzať po ponuke. Kroky v ponuke sú uvedené nižšie.
3. Tlačidlom [+] možno zmeniť nastavenie a prechádzať po dostupných nastaveniach, ak sú k dispozícii. Každý krok potvrdí hlasová správa s následným aktuálnym nastavením. Hlasová správa potvrdí aj zmeny. Po niekoľkých sekundách nečinnosti sa ponuka vráti do režimu hlasitosti. Nastavenie hlasitosti možno okamžite dosiahnuť v ľubovoľnom kroku ponuky stlačením tlačidiel [+] a [-].

Ambient/Environmental listening mode (Režim počúvania okolitého zvuku)

Režim počúvania okolitého zvuku je k dispozícii v klasickom a rozšírenom režime. Klasický režim umožňuje nastaviť hlasitosť v štyroch krokoch zvýšením alebo znížením úrovne zvuku pre počúvanie okolitého zvuku. Rozšírený režim obsahuje štyri predvolené nastavenia optimalizované pre rôzne zvukové profily.

Nastavenie	Zamýšľané použitie
Rozšírený režim 1 (Pohodlie)	Pre pohodlie vo veľmi hlučnom prostredí.
Rozšírený režim 2 (Rozhovor)	Pre prirodzenú zážitok z audia tam, kde je nutná ochrana pred náhlymi hlukmi.
Rozšírený režim 3 (Hliadkovanie)	Pre vysokú úroveň toho, ako si uvedomujete situáciu okolo seba pri chôdzi v prostredí s nízkym hlukom.
Rozšírený režim 4 (Pozorovanie)	Pre výkonnú úroveň toho, ako si uvedomujete situáciu okolo seba v tichom prostredí.

Battery (Batéria)

Vyberte typ batérie, ktorú používate v slúchadlovej súprave – alkalickú alebo nabíjateľnú.

Wireless input (Bezdrôtový vstup)

1. Pri nastavovaní slučky na krk postupujte podľa pokynov pre používateľa pre výrobok 3M™ PELTOR™ TEP-LOOP-*.
2. Otvorte ponuku slúchadlovej súpravy a upravte bezdrôtový vstup a citlivosť tak, aby zodpovedala pripojenej slučke na krk. Vyberte z možností Off (Vyp.)/Low (Nízka)/Medium (Stredná)/High (Vysoká).
3. V prípade potreby upravte hlasitosť na externom rádiu.

POZNÁMKA: Hlasitosť sa môže líšiť podľa vzdialenosti medzi slúchadlovou súpravou a slučkou na krk.

Wired input (Vstup pre kábovú komunikáciu)

Nastavte vstup pre kábovú komunikáciu a citlivosť tak, aby sa zhodovali s kábovým zariadením. Vyberte z možností Low (Nízka)/High (Vysoká).

Balance (Vyváženie)

Nastavenie vyváženia upravuje vyváženie hlasitosti medzi pravým a ľavým uchom. K dispozícii je sedem nastavení úrovní: Center (Stred), Left 1 (Lavé 1), Left 2 (Lavé 2), Max left (Max. lavé), Max right (Max. pravé), Right 2 (Pravé 2), Right 1 (Pravé 1).

Warning signals (Výstražné signály)

Nastavenie výstražných signálov aktivuje/deaktivuje výstražné signály „low battery“ (nízka úroveň nabitia batérie) a „automatic power off“ (automatické vypnutie). Vo vypnutom stave tieto výstražné signály nebudú počuť.

Automatic power off (Automatické vypnutie)

Nastavenie automatického vypnutia aktivuje/deaktivuje funkciu automatického vypnutia.

NIB frequency (Frekvencia NIB)

Pre Severnú Ameriku, Austráliu a Nový Zéland je frekvencia pre NIB 915 MHz.

Pre Európu je frekvencia pre NIB 864 MHz.

Vyberte frekvenciu pre NIB – 864 MHz (EÚ) alebo 915 MHz (NA, ANZ). Stlačením tlačidla [+] vyberte a stlačením a podržaním tlačidla [-] potvrdte výber.

POZNÁMKA: Uistite sa, že používanie schválenú frekvenciu pre región, v ktorom sa nachádzate.

Factory reset (Obnovenie nastavenia z výroby)

Vynuluje všetky nastavenia ponuky na hodnoty predvolené z výroby. Toto nastavenie sa musí potvrdiť stlačením tlačidla [+] po hlasovej správe „confirm factory reset“ (potvrdte obnovenie nastavenia z výroby).

RIEŠENIE PROBLÉMOV PRE NIB

Problém	Možné príčiny	Odporúčanie
Slúchadlová súprava pri prenose pípa.	Kanál NIB je obsadený štyrmi ľuďmi.	Počkajte na dostupný bod.
Slúchadlová súprava pri prenose pípa.	V dosahu nie je ďalšia slúchadlová súprava.	Zaistite, aby bola v dosahu ďalšia používaná slúchadlová súprava.
Nepočujete alebo nemôžete komunikovať s ostatnými.	Nepoužívate správnu frekvenciu pre NIB pre región, v ktorom sa nachádzate.	V ponuke vyberte správnu frekvenciu pre NIB. Pozri časť Frekvencia pre NIB.
Nepočujete alebo nemôžete komunikovať s ostatnými.	Technológia NIB nie je aktivovaná.	Tlačidlom PPT prepnete medzi rôznymi režimami. Pozri časť Aktivovanie funkcie NIB

ČISTENIE A STAROSTLIVOSŤ

Na čistenie vonkajšej plochy slúchadiel, hlavového pásu a vankúšikov slúchadiel používajte tkaninu navlhčenú teplou vodou s mydlom.

POZNÁMKA: NEPONÁRAJTE chrániče sluchu do vody. Ak chrániče sluchu navlhnu od dažďa alebo potu, otočte slúchadlá von, vyberte vankúšiky slúchadiel a penové vložky, nechajte ich vyschnúť a potom vráťte na miesto. Vankúšiky slúchadiel a penové vložky sa počas používania môžu poškodiť, preto je potrebné pravidelne kontrolovať, či nie sú prasknuté alebo inak poškodené. Pri pravidelnom používaní spoločnosť 3M odporúča vymieňať penové vložky a vankúšiky slúchadiel minimálne dvakrát ročne, aby sa zachovali konzistentné tlmenie, hygiena a pohodlie. Poškodený vankúšik slúchadiel sa musí vymeniť. Pozrite časť Náhradné diely uvedené nižšie.

VYBRATIE A VÝMENA VANKÚŠIKOV SLÚCHADIEL

F:1 Ak chcete vybrať vankúšik slúchadla, vsuňte prsty pod vnútorný okraj vankúšika a rázne ho vytiahnite.

F:2 Vyberte súčasnú vložku (vložky) a vložte novú penovú vložku (vložky).

F:3 Jednu stranu vankúšika slúchadla zasuňte do drážky na slúchadle a potlačte na druhej strane, až kým vankúšik nezapadne na miesto.

UPEVNENIE OCHRANNEJ PÁSKY NA MIKROFÓN

Na ochranu hlasového mikrofónu s ramenom pred vlhkosťou a nečistotami používajte chránič mikrofónu HYM1000.

Upevnenie chrániča (obr. G):

G:1 Nožnicami odstrihnite 100 mm ochranné pásky na mikrofón. Odlepte ochranný papier.

G:2 Mikrofón umiestnite na koniec pásky, ako vidieť na obrázku.

G:3 Zložte ochrannú pásku a skontrolujte, či je mikrofón zakrytý.

G:4 Pevným stisnutím utesnite ochrannú pásku.

G:5 Mikrofón je pripravený na používanie.

NÁHRADNÉ DIELY A PRÍSLUŠENSTVO

3M™ PELTOR™ HY68 SV Hygienická súprava Vymeniteľná hygienická súprava. V záujme dosiahnutia optimálneho tlmenia, hygieny a pohodlia vymieňajte tieto komponenty aspoň dvakrát ročne.

3M™ PELTOR™ HY80-EU Hygienická súprava pre gélový vankúšik

3M™ PELTOR™ HY100A Chrániče na jedno použitie Chránič na jedno použitie s možnosťou jednoduchého upevnenia na vankúšiky slúchadiel.

3M™ PELTOR™ MT73 Mikrofón odolný voči vode Dynamický hlasový mikrofón odolný voči vode.

3M™ PELTOR™ M171/2 Chránič pred vetrom pre mikrofón

3M™ PELTOR™ HYM1000 Chránič mikrofónu Páska odolná voči vlhkosti a vetru, ktorá chráni hlasový mikrofón.

3M™ PELTOR™ M60/2 Ochrana pred vetrom pre mikrofóny na

počúvanie okolitého zvuku

3M™ PELTOR™ HY450/1 Hlavový vankúšik

Používa sa pre správne sedenie malých veľkostí pre skladacie hlavové pásy.

3M™ PELTOR™ LR03NM Batéria AAA NiMH

ZÁRUKA A OBMEDZENIE ZODPOVEDNOSTI

ZÁRUKA: Ak sa zistí, že niektorý výrobok 3M Personal Safety Division má chybný materiál, spracovanie alebo nie je v súlade s niektorou vyjadrenou zárukou na konkrétny účel, jediným záväzkom spoločnosti 3M a vašim výhradným nápravným prostriedkom je podľa výberu spoločnosti 3M oprava, výmena alebo refundácia kúpnej ceny takýchto dielov alebo výrobkov po včasnom upozornení na problém z vašej strany a dokázaní, že výrobok bol skladovaný, udržiavaný a používaný v súlade s písomnými pokynmi spoločnosti 3M. OKREM SITUÁCIE, KDE JE TO ZAKÁZANÉ ZÁKONOM, TÁTO ZÁRUKA JE VÝLÚČNÁ A NAHRADZUJE AKÚKOL'VEK VÝSLOVNÚ ALEBO PREDPOKLADANÚ ZÁRUKU PREDAJNOSTI, VHODNOSTI NA KONKRÉTNY ÚČEL ALEBO INÚ ZÁRUKU KVALITY ALEBO ZÁRUK, KTORÉ POCHÁDZAJÚ Z ROKOVANIA, ZVYKLOSTÍ ALEBO OBCHODNÉHO ZVYKU, OKREM NÁZVU A ZÁSAHU DO PATENTOVÉHO PRÁVA. Spoločnosť 3M nemá žiadny záväzok v rámci tejto záruky s ohľadom na ľubovoľný výrobok, ktorý zlyhal kvôli neadekvátnemu alebo nesprávnemu skladovaniu, manipulácii alebo údržbe, v dôsledku nedodržania návodu na používanie alebo zмене alebo poškodeniu výrobku v dôsledku nehody, zanedbania alebo nesprávneho použitia.

OBMEDZENIE ZODPOVEDNOSTI: OKREM SITUÁCIE, KDE JE TO ZAKÁZANÉ ZÁKONOM, SPOLOČNOSŤ 3M V ŽIADNOM PRÍPADE NENESIE ZODPOVEDNOSŤ ZA PRIAME, NEPRIAME, ŠPECIÁLNE, NÁHODNÉ ALEBO NÁSLEDNÉ STRATY ALEBO ŠKODY (VRÁTANE STRATY ZISKU) VZNIKNUTÉ V DÔSLEDKU TOHTO VÝROBKU, BEZ OHLADU NA UPLATNENÚ PRÁVNÚ PODMIENKU TU UVEDENÉ STANOVENÉ NÁPRAVNÉ PROSTRIEDKY SÚ VÝLÚČNÉ.

ŽIADNE MODIFIKÁCIE: Toto zariadenie sa nesmie modifikovať bez písomného súhlasu spoločnosti 3M. Neautorizované modifikácie môžu spôsobiť zánik záruky a oprávnenia používateľa na používanie zariadenia.

POZNÁMKA:

- Nekombinujte staré a nové batérie.
- Nekombinujte alkalické, štandardné alebo nabíjateľné batérie.
- Pri likvidácii batérií sa riadte miestnymi predpismi na likvidáciu pevného odpadu.
- Používajte výlučne nenabíjateľné batérie AAA alebo nabíjateľné batérie NiMH (podľa okolností).

3M™ PELTOR™ ComTac™ VI NIB Headset MT20H682***N**

UVOD

Čestitke in hvala, ker ste izbrali komunikacijske rešitve 3M™ PELTOR™! Dobrodošli v naslednji generaciji varnih komunikacij.

PREDVIDENA UPORABA

Slušalke 3M™ PELTOR™ zagotavljajo zaščito pred škodljivim hrupom in glasnimi zvoki ter hkrati omogočajo poslušanje zvokov iz okolja z zunanjimi mikrofoni/mikrofoni z zaščito pred okoljskim hrupom, poslušanje povezanih komunikacijskih naprav in neposredno komunikacijo z vgrajeno tehnologijo NIB (Natural Interaction Behavior – Delovanje z naravno interakcijo) pri visoki ravni nepretrganega hrupa. Vsi uporabniki morajo prebrati in razumeti priložena navodila za uporabo ter znati uporabljati napravo.

POMEMBNO

Pred uporabo preberite, razumite in pošteujte vse varnostne informacije v teh navodilih. Navodila shranite za poznejšo uporabo. Za dodatne informacije ali v primeru vprašanj se obrnite na tehnično podporo podjetja 3M (kontaktno podatke najdete na zadnji strani).



OPOZORILO

Ti naušniki zmanjšajo izpostavljenost škodljivemu hrupu in drugim glasnim zvokom. Če naušnikov ne uporabljate ali jih ne uporabljate pravilno ves čas izpostavljenosti škodljivemu hrupu, lahko pride do telesne poškodbe ali izgube sluha. Za pravilno uporabo si oglejte navodila za uporabo, se obrnite na nadzornika ali pokličite tehnično podporo podjetja 3M. Če med izpostavljenostjo hrupu (tudi strelom) ali po njej slišite slabše ali se pojavi zvenenje ali brnenje ali iz katerega drugega razloga menite, da imate težave s sluhom, takoj zapustite hrupno okolje in se posvetujte z zdravnikom in/ali nadzornikom.

Neupoštevanje teh navodil lahko povzroči hudo telesno poškodbo ali smrt:

- Med poslušanjem glasbe in drugih zvočnih komunikacij ste lahko manj pozorni na okolico in lahko težje slišite opozorilne signale. Ostanite pozorni in prilagodite glasnost zvoka na najnižjo sprejemljivo raven. Med uporabo funkcije za razvedrilo so lahko opozorilni signali v nekaterih delovnih okoljih slabše slišni.
- Da zmanjšate nevarnosti, povezane z eksplozijo, izdelka ne uporabljajte v potencialno eksplozivni atmosferi.

Neupoštevanje teh navodil lahko zmanjša zaščito, ki jo zagotavljajo naušniki, in lahko povzroči izgubo sluha:

- Raziskava kaže, da bo pri uporabnikih zmanjšanje hrupa morda manjše, kot je navedeno s podatki o pridušitvi na embalaži. Vzrok za to so razlike v prileganju, pripravnosti pri namestitvi in motivaciji uporabnika. Za smernice o prilagoditvi vrednosti na oznaki in ocenitvi pridušitve glejte veljavne predpise. Poleg tega 3M močno priporoča preizkus prileganja naušnikov.
- Zagotovite ustrezno izbiro, namestitev, prilagoditev in

vzdrževanje naušnikov. Če naprave ne boste pravilno namestili, bo manj učinkovito pridušila hrup. Za informacije o pravilni namestitvi si oglejte priložena navodila.

- Naušnike pred vsako uporabo pregledajte. Če so naušniki poškodovani, izberite nepoškodovane ali pa se izogibajte hrupnemu okolju.
- Če je potrebna dodatna osebna zaščitna oprema (npr. zaščitna očala, respiratorji itd.), izberite prilagodljive, nizkoprofilne ročke oz. trakove, da bodo manj ovirali blazinici naušnikov. Umaknite vse nepotrebno (npr. lase, pokrivala, nakit, slušalke, higienske pokrove itd.), kar bi lahko oviralo tesnjenje blazinice naušnikov in zmanjšalo zaščito naušnikov.
- Ne upogibajte ali preoblikujte naglavnega ali ovratnega traka in zagotovite, da so naušniki nameščeni na mestu z dovolj sile.
- Naušniki, posebej blazinici, se z uporabo lahko obrabijo, zato je treba redno preverjati njihovo stanje, na primer ali so na njih razpoke in ali prepuščajo. Pri redni uporabi vsaj dvakrat letno zamenjajte ušesni blazinici in penasta vstavka, da zagotovite stalno pridušitev hrupa, higieno in udobje.
- Zvok, ki ga proizvaja električno zvočno vezje v naušnikih, lahko preseže mejno dnevno raven zvoka. Glasnost zvoka nastavite na najnižjo sprejemljivo raven.
- Če zgornje zahteve niso izpolnjene, naušniki zagotavljajo znatno manj zaščite.

Izjave o varnosti v skladu s standardom EN 352:

- Zvok, ki ga proizvaja vezje za regulacijo glasnosti v naušnikih, lahko preseže raven zunanjega zvoka.
- Namestitev higienskih pokrovov na blazinici lahko poslabša akustično delovanje naušnikov.
- S porabo baterij se lahko poslabša delovanje. Pričakovani čas neprekinjene uporabe baterije naušnikov je običajno približno:
 - LDF in NIB: 30 ur
 - LDF: 50 ur
- Določene kemične snovi lahko škodujejo izdelku. Za dodatne informacije se obrnite na proizvajalca.
- Ti naušniki so majhni. Naušniki, ki so skladni s standardom EN 352-1, so „srednje veliki“, „majhni“ ali „veliki“. Za večino uporabnikov so primerni „srednje veliki“ naušniki. „Majhni“ in „veliki“ naušniki so zasnovani za uporabnike, za katere „srednje veliki“ naušniki niso primerni.
- Izdelek ni primeren za visoke stalne ravni nizkofrekvenčnega hrupa.

POZOR:

- V primeru zamenjave baterije z napačno vrsto obstaja nevarnost eksplozije.
- Vedno uporabljajte nadomestne dele 3M, zasnovane za določen izdelek. Uporaba nepooblaščenih nadomestnih delov lahko zmanjša zaščito, ki jo zagotavlja ta izdelek.

OPOMBA

- Pri uporabi v skladu s temi navodili za uporabo ti naušniki zmanjšajo izpostavljenost stalnemu hrupu, kot sta industrijski hrup ter hrup vozil in letal, kot tudi zelo glasnemu impulznemu hrupu, kot so strelji iz strelnega orožja. Težko je predvideti potrebno in/ali dejansko varovanje sluha med izpostavljenostjo impulznemu hrupu. Pri streljih iz strelnega orožja na učinkovitost vplivajo vrsta orožja, število strelcev, izbira,

namestitvev, uporaba in nega opreme za varovanje sluha ter drugi dejavniki. Za več informacij o opremi za varovanje sluha pred impulznim hrupom obiščite www.3M.com/hearing.

- Naušniki lahko pridušijo zvok glede na hrup iz okolja. Pred uporabo preverite njihovo delovanje. Če odkrijete motnje ali napake, se obrnite na proizvajalca za nasvet glede vzdrževanja in menjave baterije.
- Naušniki so opremljeni z električnim zvočnim vhodom. Pred uporabo preverite njihovo delovanje. Če odkrijete motnje ali napako, se za nasvet obrnite na proizvajalca.
- Razpon temperature delovanja: od $-20\text{ }^{\circ}\text{C}$ ($-4\text{ }^{\circ}\text{F}$) do $55\text{ }^{\circ}\text{C}$ ($131\text{ }^{\circ}\text{F}$)
- Razpon temperature shranjevanja: od $-20\text{ }^{\circ}\text{C}$ ($-4\text{ }^{\circ}\text{F}$) do $55\text{ }^{\circ}\text{C}$ ($131\text{ }^{\circ}\text{F}$)
- Teža naušnikov: MT20H682FB-**N** = 340 g, MT20H682BB-**N** = 313 g, MT20H682FB-**N** (HY80) = 379 g.
- Življenjska doba shranjenega izdelka: 5 let razen baterij.

ODOBRITVE

3M Svenska AB na tem mestu izjavlja, da je radijska komunikacija skladna z Direktivo 2014/53/EU in drugimi ustreznimi direktivami ter zato izpolnjuje zahteve za pridobitev oznake CE. 3M Svenska AB izjavlja tudi, da so slušalke vrste OZO skladne z Uredbo (EU) 2016/425 ali Direktivo Skupnosti 89/686/EGS.

Veljavno zakonodajo je mogoče določiti s pregledom izjave o skladnosti (DoC), ki je na voljo na spletnem mestu www.3M.com/peltor/doc. V izjavi o skladnosti je navedeno tudi, ali se uporabljajo tudi katere druge homologacije. Pri pridobivanju izjave o skladnosti poiščite ustrezno številko dela. Številko dela naušnikov najdete na dnu čašice. Primer je prikazan na spodnji sliki.



OZO letno preverja (če so izdelki kategorije III) in homologira Finski inštitut za zdravje pri delu (Finnish Institute of Occupational Health), številka priglasenega organa 0403, Topeliukskatu 41 b, FI-00250 Helsinki, Finska. Izdelek je preizkušen in odobren v skladu s standardi EN 352-1:2002, EN 352-4:2001/A1:2005 in EN 352-6:2002.

Za kopijo izjave o skladnosti in dodatne informacije, zahtevane z direktivami, se lahko obrnete na podjetje 3M v državi nakupa. Kontaktno podatke najdete na zadnjih straneh teh navodil za uporabo.



V tem izdelku so električni in elektronski sestavni deli, zato ga ni dovoljeno zavreči z običajnimi odpadki. Preverite lokalne predpise o odlaganju električne in elektronske opreme.

LABORATORIJSKA PRIDUŠITEV

Ocena pridušitve hrupa (SNR) je bila pridobljena pri izklopljeni napravi. Obrazložitev preglednic s podatki o pridušitvi:

Evropski standard EN 352

Raziskava kaže, da bo pri uporabnikih zmanjšanje hrupa morda manjše, kot je navedeno s podatki o pridušitvi na embalaži. Vzrok za to so razlike v prileganju, spretnosti pri namestitvi in motivaciji uporabnika. Za smernice o prilagoditvi vrednosti na oznaki in ocenitvi pridušitve glejte veljavne predpise. Poleg tega 3M močno priporoča preizkus prileganja naušnikov.

A:1 Frekvenca (Hz)

A:2 Povprečna pridušitev (dB)

A:3 Standardni odklon (dB)

A:4 Predvidena vrednost zaščite, APV (dB)

A:5

H = ocena varovanja sluha pri visokofrekvenčnem zvoku ($f \geq 2000\text{ Hz}$).

M = ocena varovanja sluha pri srednjefrekvenčnem zvoku ($500\text{ Hz} < f < 2000\text{ Hz}$).

L = ocena varovanja sluha pri nizkofrekvenčnem zvoku ($f \leq 500\text{ Hz}$).

A:6 Kriterijska raven

H = kriterijska raven za visokofrekvenčni hrup

M = kriterijska raven za srednjefrekvenčni hrup

L = kriterijska raven za nizkofrekvenčni hrup

A:7 Ravni zunanega zvočnega vhoda v skladu z evropskim standardom EN 352-6

A:8 Raven vhodnega signala U (mV, RMS)

A:9 Povprečna raven zvočnega tlaka (dB(A))

A:10 Standardni odklon zvočnega tlaka (dB)

A:11 Raven vhodnega signala, pri kateri je povprečje plus en standardni odklon enako 82 dB(A)

B) Avstralski/novozelandski standard AS/NZS 1270:2002

B:1 Preizkusne frekvence

B:2 Povprečna pridušitev, povp. prid.

B:3 Standardni odklon, st. odkl.

B:4 Povprečje minus standardni odklon

SESTAVNI DELI

C:1 Zložljiv naglavni trak

C:2 Ročka za podpora čašice

C:3 Dvotočkovni zaponki

C:4 Čašica

C:5 Pokrov baterije

C:6 Mikrofon za poslušanje okoljskih zvokov

C:7 Blazinica za pridušitev

C:8 Ušesna blazinica

C:9 Kabel za zunanji vhod (samo pri določenih modelih)

C:10 Mikrofon za govor (samo pri določenih modelih)

C:11 Ovratni trak

C:12 Vhod za mikrofon za govor (J22) (samo pri določenih modelih)

C:13 Gumb [-] na tipkovnici

C:14 Gumb [+] na tipkovnici

C:15 NIB PTT

NAVODILA ZA NAMESTITEV

Naglavni trak

- D:1 Izvlecite čašici in nagnite zgornji del pokrova navzven, saj mora biti kabel na zunanji strani naglavnega traka.
 D:2 Prilagodite višino čašic tako, da ti potisnete navzgor ali navzdol, medtem ko naglavni trak držite na mestu.
 D:3 Naglavni trak mora biti nameščen prek vrhnjega dela glave, kot je prikazano, in mora podpirati težo slušalk.

Ovratni trak

- D:4 Namestite čašici prek ušes.
 D:5 Čašici imejte na mestu in namestite naglavni trak na vrh glave ter ga zaklenite na mesto.
 D:6 Naglavni trak mora biti nameščen prek vrhnjega dela glave.

E:1–E:2 Namestitev mikrofona za govor

Za največjo učinkovitost mikrofona za govor na hrupnih območjih morate imeti mikrofon zelo blizu ust (na razdalji, manjši od 3 mm oz. 1/8 palca).

OPOMBA: Pri uporabi na visoki nadmorski višini/v letalstvu se lahko okoliški tlak hitro zniža, kar vpliva na občutljivost mikrofona, na primer med dviganjem helikopterja. Če se to zgodi, premaknite mikrofon bližje in/ali govorite glasneje, da se poveča tlak ob membrani mikrofona.

NAVODILA ZA UPORABO

Menjava baterij (sl. 1)

- 1–2. Odstranite pokrova prostorov za baterijo in vstavite bateriji (2 x AAA).
3. Bateriji morata biti usmerjeni, kot je označeno v prostorih zanju.
4. Pokrova pritisnite do konca navzdol, da ju dobro zatesnite. Skoraj prazno baterijo označuje ponavljajoče se glasovno sporočilo „low battery“ (Baterija skoraj prazna).

Vklop in izklop slušalk (sl. 2)

Slušalke vklopite ali izklopite tako, da približno 2 sekundi držite pritisnjen gumb [+] ali [-]. V potrditev se predvaja glasovno sporočilo. Ob izklopu slušalk se shrani trenutna nastavitve.

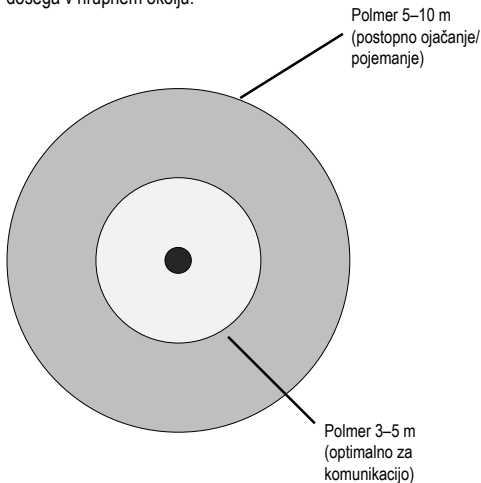
Slušalke se samodejno izklopijo po dveh urah nedejavnosti. V zadnji minuti se predvaja glasovno sporočilo, nato pa se slušalke izklopijo. Pritisnite gumb [+] ali [-], da ponastavite dvournno časovno omejitev.

Prilagajanje glasnosti (sl. 3)

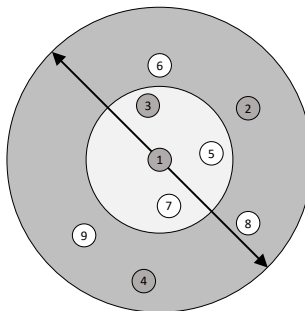
Če želite prilagoditi glasnost poslušanja okoljskih zvokov, pritisnite gumb [+] ali [-]. Nastavite lahko štiri stopnje, na voljo pa je tudi možnost izklopa poslušanja okoljskih zvokov. Najvišje nastavitve so potrjene s piskom. Način izklopa poslušanja okoljskih zvokov je potrjen z glasovnim sporočilom.

Neposredna komunikacija prek tehnologije NIB

Tehnologija NIB omogoča neposredno komunikacijo kratkega dosega v hrupnem okolju.



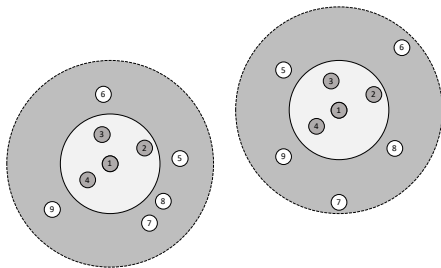
Tehnologija NIB omogoča brezžično komunikacijo znotraj polmera 10 m. Na tem območju je na voljo dvostranska komunikacija za do štiri osebe.



V hrupnem okolju se samo približajte osebi, s katero želite govoriti. Zvok prek tehnologije NIB se postopoma ojača in pojema (polmer 5–10 m) ter omogoča komunikacijo z osebami v bližini. Komunikacijski signal je optimalen znotraj polmera 3–5 m.

Ko so zasedeni štiri kanali za dvostranski prenos (1–4), lahko drugi uporabniki še vedno poslušajo, ne morejo pa oddajati (5–9). Največje število poslušalcev je omejeno s številom ljudi v polmeru 10 m in ne z zmoglostjo tehnologije.

OPOMBA: Če prek tehnologije NIB poskušajo oddajati več kot štiri uporabniki, 5. in vsak naslednji uporabnik, ki poskusi oddajati, sliši piske, ki pomenijo, da se odhodna komunikacija ne oddaja.



Skupina NIB, ki ji pripadate, je odvisna od vaše lokacije in lokacije drugih slušalk NIB.

Tehnologija NIB deluje, ko raven okoljskega hrupa preseže pribl. 80 dB in ko hrup traja neprekinjeno pribl. 1 sekundo.

Tehnologija NIB deluje tudi pri hrupu pod 80 dB, če uporabnik pritisne gumb PTT v načinu PTT ali v načinu VOX.

Vklop tehnologije NIB (sl. 7)

S hitrim dvojnim pritiskom gumba PTT preklopite med načini NIB PTT ON (VKLOP NIB PTT)/NIB OFF (IZKLOP NIB)/NIB VOX ON (VKLOP NIB VOX).

S pridrženjem gumba NIB PTT omogočite komunikacijo v polmeru 10 m v načinu NIB VOX ON (VKLOP NIB VOX) in v načinu NIB PTT ON (VKLOP NIB PTT).

NIB VOX ON (VKLOP NIB VOX) – V tem načinu visoka raven hrupa aktivira komunikacijsko postajo NIB, da se omogoči komunikacija VOX za do štiri uporabnike. Če pritisnete gumb PTT v načinu VOX ON (VKLOP VOX), omogočite komunikacijo tudi v tišem okolju.

Če uporabljate slušalke v okolju z občasnim hrupom, se lahko način NIB VOX zaradi hrupa aktivira znova in znova. V tem primeru lahko uporabite način NIB PTT ON (VKLOP NIB PTT).

NIB PTT ON (VKLOP NIB PTT) – V tem načinu je za oddajanje treba pritisniti gumb PTT.

NIB OFF (IZKLOP NIB) – V tem načinu je komunikacijska postaja NIB IZKLOPLJENA. V načinu NIB OFF (IZKLOP NIB) komunikacijska postaja NIB ne oddaja radiofrekvenčnega signala.

Push-to-talk (Pritisni za govor) za NIB (sl. 8)

Če želite oddajati prek komunikacijske postaje NIB, pridržite gumb PTT na levi čašici.

Vstop v meni (sl. 4)

1. Za vstop v meni pridržite gumba [+] in [-]. V potrditev se predvaja glasovno sporočilo.
2. Za pomikanje po meniju kratko pritisčajte gumb [-]. Koraki menija so navedeni spodaj.
3. Z gumbom [+] lahko spreminjate nastavitve in se pomikate med nastavitvami, kjer so te na voljo. Vsak korak je potrjen z glasovnim sporočilom, ki mu sledi trenutna nastavev. Tudi spremembe so potrjene z glasovnim sporočilom. Po nekaj

sekundah nedejavnosti se meni vrne v način glasnosti. Na kateri koli stopnji menija lahko do nastavitve glasnosti takoj dostopite s pritiskom gumbom [+] in [-].

Ambient/Environmental listening mode (Način poslušanja okoljskih zvokov)

Način poslušanja okoljskih zvokov je na voljo v klasičnem načinu in naprednem načinu. Klasični način omogoča prilagajanje glasnosti v štirih korakih z višanjem ali nižanjem ravni zvoka poslušanja okoljskih zvokov. Napredni način vključuje štiri prednastavljene nastavitve, ki so optimizirane za različne zvočne profile.

Nastavev	Predvidena uporaba
Napredni način 1 (udobje)	Za udobje v zelo hrupnem okolju.
Napredni način 2 (pogovor)	Za naravno zvočno doživetje, kjer je potrebna zaščita pred nenadnim hrupom.
Napredni način 3 (patrujiranje)	Za dobro zavedanje okolice med hojo v okolju z nizko ravno hrupa.
Napredni način 4 (varovanje)	Za odlično zavedanje okolice v tišem okolju.

Battery (Baterija)

Izberite vrsto baterije (alkalna ali za polnjenje), ki jo uporabljate v slušalkah.

Wireless input (Brezžični vhod)

1. Upoštevajte navodila za uporabo za 3M™ PELTOR™ TEP-LOOP.* in nastavite ovratno zanko.
2. Pojdite v meni slušalk ter prilagodite brezžični vhod in občutljivost, da se ujemata s povezano ovratno zanko. Izberite Off/Low/Medium/High (Izklop/nizko/srednje/visoko).
3. Po potrebi prilagodite glasnost na zunanji komunikacijski postaji.

OPOMBA: Glasnost se lahko razlikuje, odvisno od razdalje med slušalkami in ovratno zanko.

Wired input (Žični vhod)

Prilagodite žični vhod in občutljivost, da se ujemata z žično napravo. Izberite Low/High (Nizko/Visoko).

Balance (Ravnovesje)

Z nastavitvijo ravnovesja prilagodite ravnovesje glasnosti med levim in desnim ušesom. Nastavitve lahko sedem stopenj: Center, Left 1, Left 2, Max left, Max right, Right 2, Right 1 (Sredina, Levo 1, Levo 2, Najglasnejše levo, Najglasnejše Desno, Desno 2, Desno 1).

Warning signals (Opozorilna signala)

Z nastavitvijo opozorilnih signalov onemogočite opozorilna signala „low battery“ (Baterija skoraj prazna) in „automatic power off“ (Samodejni izklop). Če opozorilna signala izklopite, se ne predvajata.

Automatic power off (Samodejni izklop)

Z nastavitvijo samodejnega izklopa onemogočite in omogočite funkcijo samodejnega izklopa.

NIB frequency (Frekvenca NIB)

Za Severno Ameriko, Avstralijo in Novo Zelandijo frekvenca za NIB znaša 915 MHz.

Za Evropo frekvenca za NIB znaša 864 MHz.

Izberite frekvenco NIB: 864 MHz (EU) ali 915 MHz (SA, ANZ). Pritisnite [+], da izberete, in pridržite [+], da potrdite izbiro.

OPOMBA: Poskrbite, da uporabljate odobreno frekvenco za svojo regijo.

Factory reset (Tovarniška ponastavitev)

Ponastavitev vseh nastavitvev menija na tovarniško privzete vrednosti. Nastavitvev morate po glasovnem sporočilu „confirm factory reset“ (Potrdite tovarniško ponastavitev) potrditi s pritiskom gumba [+].

ODPRAVLJANJE TEŽAV ZA NIB

Težava	Možni vzroki	Predlog
Slušalke piskajo med oddajanjem.	Kanal NIB so zasedle štiri osebe.	Počakajte, da se sprost.
Slušalke piskajo med oddajanjem.	V območju delovanja ni nobenih drugih slušalk.	Poskrbite, da se v območju delovanja uporabljajo še ene slušalke.
Ne slišim drugih oz. komunikacija z njimi ni možna.	Ne uporabljate pravilne frekvence NIB za svojo regijo.	V meniju izberite pravilno frekvenco NIB. Glejte razdelek Frekvenca NIB.
Ne slišim drugih oz. komunikacija z njimi ni možna.	Tehnologija NIB ni vklopljena.	Z gumbom PTT preklaplajte med različnimi načini. Glejte razdelek Vkllop tehnologije NIB.

ČIŠČENJE IN VZDRŽEVANJE

Zunanja pokrova, naglavni trak in ušesni blazinici očistite s krpo, navlaženo s toplo milnico.

OPOMBA: Naušnikov NE potaplajte v vodo. Če naušnike zmoči dež ali pot, jih obrnite navzven, odstranite ušesni blazinici in penasta vstavka ter pustite, da se posušijo, preden jih znova sestavite. Ušesni blazinici in penasta vstavka se z uporabo lahko obrabijo, zato je treba redno preverjati, ali so razpokani ali kako drugače poškodovani. 3M priporoča, da pri redni uporabi penasta vstavka in ušesni blazinici zamenjate vsaj dvakrat letno, da ohranite stalno pridušitev hrupa, higieno in udobje. Poškodovani ušesni blazinici zamenjajte. Glejte razdelek Nadomestni deli v nadaljevanju.

ODSTRANITEV IN ZAMENJAVA UŠESNIH BLAZINIC

F:1 Ušesno blazinico odstranite tako, da vstavite prste pod notranji rob ušesne blazinice in jo močno povlečete naravnost

navzven.

F:2 Odstranite obstoječa penasta vstavka in vstavite nova.

F:3 Namestite eno stran ušesne blazinice v utor ušesne čašice in pritisnite na nasprotni strani, da se blazinica zaskoči.

UPORABA TRAKA ZA ZAŠČITO MIKROFONA

Mikrofon za govor za na slušalke zaščitite pred vlago in umazanijo s ščitnikom za mikrofon HYM1000.

Namestitev ščitnika (sl. G):

G:1 S škarjami odrežite 100 mm traka za zaščito mikrofona.

Odstranite zaščitni papir.

G:2 Postavite mikrofon na konec traka, kot je prikazano na sliki.

G:3 Preganite zaščitni trak in poskrbite, da je mikrofon pokrit.

G:4 Trdno pritisnite, da zatesnite zaščitni trak.

G:5 Mikrofon je pripravljen za uporabo.

NADOMESTNI DELI IN DODATNA OPREMA

Higienski komplet 3M™ PELTOR™ HY68 SV

Zamenljiv higijenski komplet. Za zagotovitev stalne pridušitev hrupa, higijene in udobja ga zamenjajte vsaj dvakrat letno.

Gelasti higijenski komplet blazinic 3M™ PELTOR™ HY80-EU

Zaščita za slušalke za enkratno uporabo

3M™ PELTOR™ HY100A

Zaščita za slušalke za enkratno uporabo za enostavno namestitev na ušesni blazinici.

Vodotesni mikrofon 3M™ PELTOR™ MT73

Vodotesni dinamični mikrofon za govor.

Protivetrni ščitnik za mikrofon 3M™ PELTOR™ M171/2

Ščitnik za mikrofon 3M™ PELTOR™ HYM1000

Proti vlagi in vetru odporen trak, ki ščiti mikrofon za govor.

Protivetrna zaščita za mikrofone za okoljski zvok

3M™ PELTOR™ M60/2

Naglavna blazinica 3M™ PELTOR™ HY450/1

Namenjeno za uporabo z zložljivim naglavnim trakom pri manjšem obsegu glave.

Baterija AAA NiMH 3M™ PELTOR™ LR03NM

GARANCIJA IN OMEJITEV ODGOVORNOSTI

GARANCIJA: Če se izkaže, da ima kateri koli izdelek oddelka Personal Safety Division podjetja 3M napako v materialu, izdelavi ali da ni v skladu s katero od eksplicitnih garancij za določen namen, je edina obveznost podjetja 3M in vaše izključno pravno sredstvo, da 3M po svoji izbiri popravi, zamenja ali povrne kupnino takih delov ali izdelkov po vašem pravočasnem obvestilu o zadevi in potrditvi, da je bil izdelek shranjen, vzdrževan in uporabljen v skladu s pisnimi navodili podjetja 3M. **RAZEN KJER TO PREPOVEDUJE ZAKONODAJA, JE TA GARANCIJA IZKLJUČNA IN VELJA NAMESTO EKSPLICITNIH ALI IMPLICITNIH JAMSTEV O PRIMERNOSTI ZA PRODAJO IN DOLOČEN NAMEN ALI DRUGIH JAMSTEV O KAKOVOSTI ALI JAMSTEV, KI SO POSLEDICA POSLOVANJA, USTALJENIH PRAKS IN POSLOVNIH NAVAD, RAZEN LASTNIŠKIH JAMSTEV IN JAMSTEV NEKRŠITEV PATENTOV.** 3M po tej garanciji nima nikakršnih obveznosti glede katerega koli izdelka, pri katerem je prišlo do napake zaradi nezadostnega ali neustreznega shranjevanja, rokovanja ali vzdrževanja, neupoštevanja navodil za izdelek ali zaradi spremembe ali poškodbe izdelka, nastale zaradi nesreče, malomarnosti ali zlorabe.

OMEJITEV ODGOVORNOSTI: RAZEN KJER TO PREPOVEDUJE ZAKONODAJA, 3M V NOBENEM PRIMERU NE ODGOVARJA ZA NIKAKRŠNO NEPOSREDNO, POSREDNO, POSEBNO, NAKLJUČNO ALI POSLEDIČNO IZGUBO ALI ODŠKODNINO (VKLJUČNO Z IZGUBLJENIM DOBIČKOM), NASTALO ZARADI IZDELKA, NE GLEDE NA UVELJAVLJENA PRAVNA NAČELA. V TEM DOKUMENTU DOLOČENA PRAVNA SREDSTVA SO IZKLJUČNA.

BREZ PREOBLIKOVANJA: Te naprave ni dovoljeno preoblikovati brez pisnega soglasja podjetja 3M. Nepooblaščen preoblikovanje lahko razveljavi garancijo in dovoljenje uporabnika, da uporablja napravo.

OPOMBA:

- Ne mešajte rabljenih in novih baterij.
- Ne mešajte alkalnih in standardnih baterij ter takih za polnjenje.
- Za pravilno odlaganje baterije upoštevajte lokalne predpise o odlaganju trdnih odpadkov.
- Uporabljajte samo baterije AAA, ki niso za polnjenje, ali baterije NiMH za polnjenje (kot je ustrezno).

3M™ PELTOR™ ComTac™ VI NIB Headset MT20H682**.*N**

GİRİŞ

3M™ PELTOR™ iletişim çözümlerini tercih ettiğiniz için sizi kutlar ve teşekkür ederiz! Koruyucu iletişimin yeni nesline hoş geldiniz.

KULLANIM AMACI

Bu 3M™ PELTOR™ kulaklıklar, bir yandan tehlikeli gürültü seviyelerine ve yüksek seslere karşı koruma sağlamayı amaçlarken, diğer yandan kullanıcıya çevresini ortam/çevre mikrofonları üzerinden işitme, bağlı iletişim cihazlarını dinleme ve sürekli yüksek seviyeli gürültü durumunda, entegre edilmiş Doğal Etkileşim Davranışı (Natural Interaction Behavior - NIB) Teknolojisi ile yüz yüze iletişim kurma olanağı sunar. Tüm kullanıcılar verilen kullanıcı talimatlarını okumalı, anlamlı ve cihazın kullanımını hakkında bilgi sahibi olmalıdır.

ÖNEMLİ

Ürünü kullanmaya başlamadan önce, lütfen bu talimatlarda içerilen tüm güvenlik bilgilerini okuyun, kavrayın ve takip edin. Bu talimatları, daha sonra başurmak üzere muhafaza edin. Ek bilgiler ve diğer sorularınız için lütfen 3M Teknik Servisi ile iletişim kurun (iletişim bilgileri son sayfada liste halinde verilmektedir).



UYARI

Bu ses önleyici kulaklık, maruz kalınan tehlikeli gürültü ve diğer yüksek ses seviyelerini hafifletmeye yardımcı olur. Kulak tıkanıcı yanlış kullanma veya tehlikeli gürültüye maruz kalınan zamanlarda sürekli kullanmama, işitme kaybı veya işitme hasarıyla sonuçlanabilir. Doğru kullanım için amirimize ve Kullanıcı Talimatları'na başvurun ya da 3M Teknik Servisi'ni arayın. İşitme duyunuzun köredliğini düşünüyorsanız, (silah ateşleme dahil) herhangi bir sese maruz kaldığınız sırada veya sonrasında çınlama veya uğultu duyuyorsanız veya başka herhangi bir nedenle bir işitme sorunuz olduğundan şüpheleniyorsanız, gürültülü ortamı derhal terk edin ve bir tip uzmanına ve/veya amirimize danışın.

Bu talimatları izlemek ciddi düzeyde yaralanmalar veya ölümlere yol açabilir:

- Müzik veya diğer sesli iletişim seçeneklerini dinlemek durum farkındalığınızı ve uyarı sinyallerini işitebilme becerinizi azaltabilir. Her an dikkatli olun ve ses düzeyini kabul edilebilir en düşük düzeye ayarlayın. Eğlence özelliği kullanılırken, iş yerindeki uyarı sinyallerinin işitebilirliği azalabilir.
- Bir patlamayı tetikleme ile bağlantılı riskleri azaltmak için, bu ürünü patlama potansiyeli olan ortamlarda kullanmayın.

Bu talimatları izlemek ses önleyicilerin sağladığı korumayı azaltabilir ve işitme kaybına yol açabilir:

- Araştırma uygunluk, takma becerisi ve kullanıcı motivasyonundaki farklılıklar nedeniyle bazı kullanıcıların ambalaj üzerinde belirtilen sönümlenme değeri(ler)inden daha az gürültü azaltımı elde edebileceğini ileri sürmektedir. Etiket değerlerinin ayarlanması ve sönümlenme tahmini konularında yardım almak için yürürlükteki yönetmeliklerinize

başvurun. 3M ayrıca ses önleme cihazlarında uyum testi gerçekleştirilmesini de önemle tavsiye eder.

- İşitme koruyucusunun gereken şekilde seçilmesine, uyum göstermesine, ayarlanmasına ve muhafaza edilmesine dikkat edin. Bu cihazın hatalı şekilde takılması, ses sönümlenmedeki verimliliğini azaltacaktır. Doğru şekilde takmak için ekli talimatlara başvurun.
- İşitme koruyucuyu her kullanım öncesinde dikkatle inceleyin. Hasarlıysa, sağlam bir işitme koruyucusu seçin veya gürültülü ortamlardan kaçının.
- İlave kişisel koruyucu ekipman (örneğin güvenlik gözlükleri, solunum cihazları, vb.) gerekiyorsa, ses önleyici tamponları en az düzeyde müdahale edecek esnek, düşük profilli ürünler veya kayışlar seçin. Ses önleyici tamponların sızdırmazlığına ve ses önleyicinin koruma özelliğine müdahale edebilecek diğer tüm gereksiz maddeleri (örneğin saç, şapka, takı, kulaklık, hijyen kapakları, vb.) çıkarın.
- Kafa bandını veya boyun bandını bükme veya yeniden şekillendirmeyin ve ses önleyicileri sıkıca yerinde tutmak için yeterli gücün bulunduğundan emin olun.
- Susturucular ve özellikle tamponlar zaman içinde yıpranabileceğinden çatlama ve sızıntılara karşı sık sık kontrol edilmelidir. Düzenli kullanımlarda tutarlı koruma, hijyen ve rahatlığı korumak için köpük astarları ve kulak tamponlarını yılda en az iki kez yenileyin.
- Bu ses önleyicinin elektrikli ses devresinin çıkış gücü, günlük sınır ses düzeyini aşabilir. Ses düzeyini kabul edilebilir en düşük düzeye ayarlayın.
- Yukarıda verilen gerekliliklere uyulmadığı takdirde, susturucuların sağlayabileceği koruma işlevi ciddi biçimde bozulabilir.

EN 352 Güvenlik Beyanları:

- Bu ses önleyicinin seviye-bağımlı devresinden çıkan ses gücü, harici ses seviyesinin üzerine çıkabilir.
- Tamponlara hijyenik kapakların takılması, ses önleyicilerin akustik performansını etkileyebilir.
- Performans, pil kullanımına bağlı olarak azalabilir. Susturucunun pilinden beklenebilecek kesintisiz tipik kullanım süresi yaklaşık:
 - LDF ve NIB: 30 saat
 - LDF: 50 saat
- Bu ürün, bazı kimyasal maddelerden olumsuz etkilenebilir. Ayrıntılı bilgi için üreticiye başvurulmalıdır.
- Bu susturucular küçük boyut serisine aittir. "Orta", "küçük" veya "büyük" boyutlu ses önleyici serileri EN 352-1 uyumludur. Orta boyutlu susturucu serisi, kullanıcıların büyük çoğunluğu için uygundur. Küçük veya büyük boyutlu susturucu serileri, orta boyutlu serilerin uygun olmadığı kullanıcılara uyacak şekilde tasarlanmıştır.
- Ürün, sürekli yüksek seyreden düşük frekanslı gürültü seviyeleri için uygun değildir.

DİKKAT

- Değişim sırasında yanlış tipte pil kullanımında patlama riski.
- Her zaman ürüne özel 3M yedek parçalarını kullanın. Yetkilendirilmemiş yedek parçaların kullanımı, bu üründen elde edeceğiniz koruma seviyesini düşürebilir.

NOT

- Bu Kullanıcı Talimatları'na uygun kullanıldığında bu kulak tıkacı, endüstriyel gürültüler ile araçlar ve uçaklardan kaynaklanan gürültüler gibi sürekli seslere ve silah ateşleme gibi çok yüksek sesli ani gürültülere maruz kalma derecesini azaltmaya yardımcı olur. Ani seslere maruz kalma sırasında gerekli ve/veya doğru olan ses önleyiciyi önceden belirlemek güçtür. Silah ateşleme konusunda performansı; silah sürü, ateşleme sayısı, kulak tıkacının uygun şekilde seçilmesi, takılması, kullanılması ve doğru bakım işlemlerinin uygulanması ve diğer bazı değişkenler etkileyebilir. Ani gürültülere yönelik kulak tıkacıları hakkında daha fazla bilgi edinmek için www.3M.com/hearing adresine ziyaret edin.
- Bu ses önleyici, seviye-bağımlı sönümleme ile birlikte verilir. Kullanıcı, üniteyi kullanmadan önce bu özelliğin düzgün çalışıp çalışmadığını kontrol etmelidir. Eğer sesteki bozulma veya arıza tespit edilirse, üreticinin bakım ve pil değiştirme ile ilgili tavsiyelerine başvurulmalıdır.
- Bu ses önleyici, elektrikli ses girişi ile takılıdır. Kullanıcı, üniteyi kullanmadan önce bu özelliğin düzgün çalışıp çalışmadığını kontrol etmelidir. Eğer sesteki bozulma veya arıza tespit edilirse, üreticinin tavsiyelerine başvurulmalıdır.
- İşletim sıcaklığı aralığı: -20°C (4°F) ile 55°C (131°F) arası
- Saklama ısısı aralığı: -20°C (4°F) ile 55°C (131°F) arası
- Ses önleyicinin ağırlığı: MT20H682FB-**N** = 340 gr, MT20H682BB-**N** = 313 gr, MT20H682FB-**N** (HY80) = 379 gr.
- Raf ömrü: 5 yıl, piller hariç.

ONAYLAR

3M Svenska AB bu belge ile radyo/telsiz iletişiminin, 2014/53/AB no'lu Yönetmelik ve CE işaretlemesini yerine getirmek için gerekli diğer uygun yönergelerle uyumlu olduğunu beyan eder. 3M Svenska AB ayrıca PPE tip kulaklığının, 2016/425 sayılı Yönetmelik (AB) veya 89/686/EEC sayılı Toplumsal Yönetmelik ile uyumlu olduğunu da beyan eder.

Geçerli mevzuat, www.3M.com/peltor/doc adresinde yer alan Uygunluk Beyanı (Declaration of Conformity – DoC) incelenerek belirlenebilir. DoC, bazı diğer tip onaylarının geçerli olup olmadığını da gösterecektir. DoC'unuzu alırken, lütfen parça numaranızın konumunu belirleyin. Susturucularınızın parça numarası, bir kapağın altında yer almaktadır. Aşağıdaki resimde bir örnek sergilenmektedir.



PPE (Kategori III ürünler için) her yıl denetimden geçirilir ve tip, Finnish Institute of Occupational Health, Kurum Onay No. 0403, Topeliuksenkatu 41 b, FI-00250 Helsinki, Finlandiya tarafından onaylanır. Ürün EN 352-1:2002, EN 352-4:2001/A1:2005, EN 352-6:2002 uyarınca test edilmiş ve onaylanmıştır.

DoC'un (Uygunluk Beyanı) bir kopyası ve Yönetmeliklerde gerekli tüm ilave bilgiler, ürünün satın alındığı ülkedeki 3M yetkilileriyle iletişim kurularak da elde edilebilir. İletişim bilgileri için bu kullanma kılavuzunun son sayfalarına başvurun.



Bu ürün elektrikli ve elektronik bileşenler içermektedir ve standart çöp toplama araçlarına atılmamalıdır. Lütfen elektrikli ve elektronik ekipmanların imhasına ilişkin yerel yönergelere başvurun.

LABORATUVARDA SÖNÜMLEME

Sönümleme derecesi (SNR), cihaz kapalı durumdayken elde edilmiştir. Ses sönümleme tablolarının açıklanması:

Avrupa Standardı EN 352

Araştırma uygunluk, takma becerisi ve kullanıcı motivasyonundaki farklılıklar nedeniyle bazı kullanıcıların ambalaj üzerinde belirtilen sönümleme değer(ler)inden daha az gürültü azaltımı elde edebileceğini ileri sürmektedir. Etiket değerlerinin ayarlanması ve sönümleme tahmini konularında yardım almak için yürürlükteki yönetmeliklerinize başvurun. 3M ayrıca ses önleme cihazlarında uyum testi gerçekleştirilmesini de önemle tavsiye eder.

A:1 Frekans (Hz)

A:2 Ortalama sönümleme (dB)

A:3 Standart sapma (dB)

A:4 Varsayılan koruyucu değer, APV (dB)

A:5

H = Yüksek frekanslı sesler ($f \geq 2000$ Hz) için ses önleme tahmini.

M = Orta frekanslı sesler ($500 \text{ Hz} < f < 2000$ Hz) için ses önleme tahmini.

L = Düşük frekanslı sesler ($f \leq 500$ Hz) için ses önleme tahmini.

A:6 Kriter Seviyesi

H = Yüksek frekanslı gürültü için kriter seviyesi

M = Orta frekanslı gürültü için kriter seviyesi

L = Düşük frekanslı gürültü için kriter seviyesi

A:7 Avrupa Standardı EN 352-6 Harici Ses Giriş Seviyeleri

A:8 Giriş sinyali seviyesi U (mV, RMS)

A:9 Ortalama ses basıncı seviyesi (dB(A))

A:10 Ses basıncı standart sapma (dB)

A:11 Ortalama + bir standart sapma = 82 dB(A) için giriş sinyali seviyesi

B) Avustralya/Yeni Zelanda Standardı AS/NZS 1270:2002

B:1 Test Frekansları

B:2 Ortalama Sönümleme (Mean Att)

B:3 Standart Sapma (St Dev)

B:4 Ortalama eksi SD

BİLEŞENLER

C:1 Katlanabilir kafa bandı

C:2 Kapak destekleme kolu

C:3 İki noktali sabitleyiciler

C:4 Kapak

C:5 Pil kapağı

C:6 Ortam seslerini/çevresel sesleri dinlemek için mikrofon

C:7 Sönümleyici ped

C:8 Kulak tamponu

C:9 Harici giriş kablosu (sadece belirli modellerde)

C:10 Konuşma mikrofonu (sadece belirli modellerde)

- C:11 Boyun bandı
 C:12 Konuşma mikrofonu girişi (J22) (sadece belirli modellerde)
 C:13 Klavye üzerindeki [-] düğmesi
 C:14 Klavye üzerindeki [+] düğmesi
 C:15 NIB PTT

TAKMA TALİMATLARI

Kafa Bandı

- D:1 Dış kapakları kaydırarak çıkarın ve kablounun kafa bandının dışında durması için, kulaklığın en üst kısmını dışa doğru eğin.
 D:2 Dış kapakların yüksekliğini, kafa bandını yerinde tutarken kapakları yukarı veya aşağı doğru kaydırarak ayarlayın.
 D:3 Kafa bandı başın tepe kısmına gösterilen şekilde yerleştirilmeli ve kulaklığın ağırlığının desteklemelidir.

Boyun bandı

- D:4 Dış kapakları kulakların üzerine yerleştirin.
 D:5 Dış kapakları yerinde tutun, kafa bandı kayışını başınızın üzerine yerleştirin ve yerine sıkıca kilitleyin.
 D:6 Kafa bandı kayışı başın en üst kısmından geçmelidir.

E:1-E:2 Konuşma mikrofonunu takma

Gürültülü alanlarda konuşma mikrofonunun performansını en üst düzeye çıkarmak için, mikrofonu ağızınıza çok yakın (3 mm'den az) yerleştirin.

NOT: Yüksek rakımlarda/havacılıkta kullanıldığında ortam basıncı hızla azalarak mikrofon hassasiyetini etkileyebilir, örneğin helikopter yükselirken. Bu tür bir durum meydana geldiğinde, mikrofon membranındaki basıncı artırmak için mikrofonu yaklaşırın ve/veya daha yüksek sesle konuşun.

ÇALIŞTIRMA TALİMATLARI

Pillerideğiştirme (Şekil 1)

- 1-2. Pil bölmesinin kapağını çıkartın ve pilleri yerleştirin (2xAAA).
3. Pillerin kutupları, pil bölgesindeki işaretlere karşılık gelmelidir.
4. Açık kalmamaları için, kapaklar sıkıca kapanana dek bastırılmalıdır. Düşük pil seviyesi, sürekli tekrarlayan "low battery (yetersiz pil)" sesli mesajıyla belirtilir.

Kulaklığı açma ve kapama (Şekil 2)

Kulaklığı açmak veya kapatmak için, [+] veya [-] düğmesine basın ve yaklaşık 2 saniye basılı tutun. Sesli bir rehber bunu onaylayacaktır. Kulak tıkacı modunda olduğu zamanlar dışında.

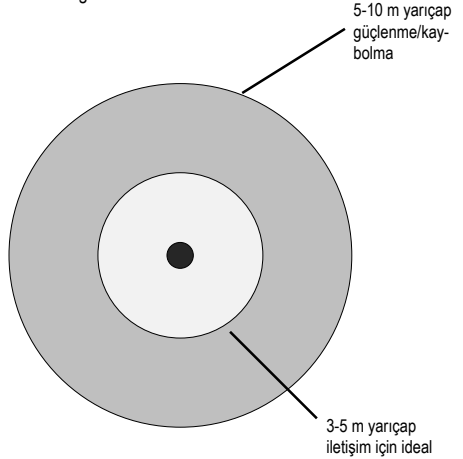
İki saat boyunca herhangi bir işlem yapılmadığı takdirde, kulaklık otomatik olarak kapanır. Bu, kulaklık kapanmadan önceki son dakika içinde, sesli bir mesajla belirtilir. İki saatlik zaman aşımı süresini sıfırlamak için [+] veya [-] düğmesine basın.

Ses Seviyesini Ayarlama (Şekil 3)

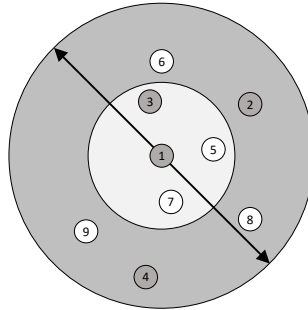
Ortam seslerinin/çevresel seslerin dinleme seviyesini ayarlamak için [+] veya [-] düğmesine basın. Dört farklı ses seviyesi ayarının yanı sıra ortam seslerini/çevresel sesleri dinleme işlevini kapatabilme olanağı da bulunmaktadır. Maksimum ayarlar bir bip sesiyle onaylanır. "Ortam/Çevre seslerini dinleme kapalı (Ambient/Environmental listening off)" modu, sesli bir mesajla onaylanır.

NIB teknolojisi üzerinden yüz yüze iletişim

NIB, gürültülü ortamlarda yakın mesafede yüz yüze iletişime olanak sağlar.



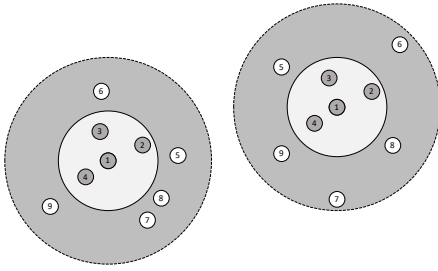
NIB teknolojisi 10 metre yarıçap içinde kablosuz iletişime olanak tanır. Bu alan içinde dört kişiye kadar tam çift yönlü (full duplex) iletişim.



Gürültülü ortamlarda, yalnızca konuşmak istediğiniz kişiye doğru yürüyerek yaklaşmanız yeterlidir. NIB teknolojisi yavaşça güçlenecek, kaybolacak (5-10 m yarıçap) ve yakınındaki kişilerle iletişim kurmanıza olanak sağlayacaktır. İdeal iletişim sinyali için 3-5 m yarıçap içinde kalmaya özen gösterin.

Dört tam çift yönlü iletim kanalları meşgul olduğunda (1-4) diğer kullanıcılar dinlemeye devam edebilir, ancak yayın yapamazlar (5-9). Dinleyici sayısının üst limiti, teknolojik kapasite yerine, 10 metre yarıçapa giren kişi sayısı ile sınırlanmıştır.

NOT: Dörtten fazla sayıda kullanıcı NIB üzerinden yayın girişiminde bulunursa, yayın yapmaya kalkışan 5. kullanıcı ve diğerleri, giden iletinin yayınlanmadığını belirten bip sesleri duyacaktır.



Ait olduğunuz NIB grubu, sizin kulaklığınızın ve diğer NIB kulaklıkların bulunduğu yere bağlıdır.

NIB, çevresel gürültü seviyesi yaklaşık 80 dB'i geçtiği ve gürültü yaklaşık 1 saniye sürdüğü zaman çalışır.

NIB, kullanıcı PTT veya VOX modunda PTT düğmesine basarsa, 80 dB değerinin altında da çalışır.

NIB'i etkinleştirme (Şekil 7)

PTT düğmesine hızla çift basmak, NIB PTT ON (AÇIK)/NIB OFF (KAPALI)/NIB VOX ON (AÇIK) arasında geçiş yapmanızı sağlayacaktır.

NIB PTT düğmesine basarak basılı tutmak, NIB VOX ON ve NIB PTT ON modundayken 10 metre yarıçap içinde iletişime olanak tanır.

NIB VOX ON - Bu modda, yüksek gürültü seviyeleri NIB telsizini etkinleştirecek ve dört kullanıcıya kadar VOX iletişimine izin verecektir. PTT düğmesine VOX ON modunda basmak ise, sessiz ortamlarda iletişime olanak tanıyacaktır.

Kulaklık gürültünün aralıklı olduğu bir ortamda çalıştığında, gürültü NIB VOX'u tekrar tekrar etkinleştirebilir. Bu durumda, NIB PTT ON işlevini kullanabilirsiniz.

NIB PTT ON - Bu modda, yayın yapmak için PTT düğmesine basılmalıdır.

NIB OFF - Bu mod, NIB telsizi KAPATIR. NIB OFF konumunda, NIB telsizden hiçbir RF sinyal yayılmaz.

NIB için Bas-Konuş (Push-to-Talk) (Şekil 8)

NIB üzerinde yayın yapmak için sol kapaktaki PTT düğmesine basın ve basılı tutun.

Menüye girme (Şekil 4)

1. Menüye girmek için [+] ve [-] düğmesine basın ve basılı tutun. Sesli bir bildirim bunu onaylayacaktır.
2. Menü öğeleri arasında geçiş yapmak için [-] düğmesine kısa süre basın. Menü adımları aşağıda verilmektedir.
3. [+] düğmesi ayarı değiştirmek ve eğer mümkünse, mevcut ayarlar arasında geçiş yapmak için kullanılır. Sesli bir mesaj her adımı onaylayacak ve ardından geçerli ayar belirtilecektir. Değişiklikler de sesli birer mesajla onaylanacaktır. Birkaç saniye herhangi bir işlem yapılmadığı takdirde, menü kendiliğinden ses

seviyesi moduna dönecektir. Herhangi bir menü adımında [+] ve [-] düğmelerine basılarak, ses seviyesi ayarına derhal erişilebilir.

Ambient/Environmental listening mode (Ortam/Çevre dinleme modu)

Ortam/çevre dinleme modu, klasik modda ve gelişmiş modda kullanılabilir. Klasik mod, ses seviyesini ortam/çevre dinleme ses düzeyini artırarak veya azaltarak, dört farklı adımda ayarlanmasına olanak sağlar. Gelişmiş mod, farklı ses profilleri için optimize edilerek önceden ayarlanmış dört ayar içerir.

Ayar	Kullanım amacı
Gelişmiş mod 1 (Rahat)	Çok gürültülü bir ortamda rahatlık için.
Gelişmiş mod 2 (Sohbet)	Ani gürültülere karşı koruma gerektiren zamanlarda doğal bir ses deneyimi için.
Gelişmiş mod 3 (Devriye)	Düşük gürültülü bir ortamda yürürken yüksek düzeyde durum farkındalığı için.
Gelişmiş mod 4 (Koruma)	Sessiz bir ortamda güçlü durum farkındalığı için.

Battery (Pil)

Kulaklığınızda kullanacağınız pil tipini (alkalin veya şarj edilebilir) seçin.

Wireless input (Kablosuz giriş)

1. Boyun halkasının kurulumu için, 3M™ PELTOR™ TEP-LOOP-* kullanıcı talimatlarını izleyin.
2. Kablosuz girişi ve hassasiyeti, bağlı boyun halkasına karşılık gelecek şekilde ayarlamak için kulaklık menüsüne girin. Kapalı/Düşük/Orta/Yüksek (Off/Low/Medium/High) arasında bir seçim yapın.
3. Gerekirse, harici telsizde ses seviyesini ayarlayın.

NOT: Ses seviyesi, kulaklık ve boyun halkası arasındaki mesafeye bağlı olarak farklılık gösterebilir.

Wired input (Kablolu giriş)

Kablolu girişini ve kablolu cihaza karşılık gelecek duyarlılık düzeyini ayarlayın. Düşük/Yüksek (Low/High) arasında bir seçim yapın.

Balance (Denge)

Denge ayarı, sağ ve sol kulak arasındaki ses seviyesini dengesini düzenler. Yedi farklı ses seviyesi ayarı bulunmaktadır: Orta (Center), Sol 1 (Left 1), Sol 2 (Left 2), Maksimum sol (Max left), Maksimum sağ (Max right), Sağ 2 (Right 2), Sağ 1 (Right 1).

Warning signals (Uyarı sinyalleri)

Uyarı sinyali ayarı, "low battery (yetersiz pil)" ve "automatic power off (otomatik kapanma)" uyarı sinyallerini etkinleştirir/devre dışı bırakır. Kapatıldığında, bu uyarı sinyallerinden hiçbirisi duyulmayacaktır.

Automatic power off (Otomatik kapanma)

Otomatik kapanma ayarı, otomatik kapanma işlevini etkinleştirir/devre dışı bırakır.

NIB frequency (NIB frekansı)

Kuzey Amerika, Avustralya ve Yeni Zelanda için NIB frekansı 915 MHz'dir.

Avrupa için NIB frekansı 864 MHz'dir.

NIB frekansını (864 MHz (Avrupa Birliği) veya 915 MHz (Kuzey Amerika, Avustralya/Yeni Zelanda)) seçin. Seçmek için [+] düğmesine basın; seçiminizi onaylamak için [+] düğmesine basarak basılı tutun.

NOT: Faaliyet gösterdiğiniz bölge için onaylanan frekans kullandığınızdan emin olun.

Factory reset (Fabrika değerlerine sıfırlama)

Tüm menü ayarlarını varsayılan fabrika değerlerine sıfırlar. Bu ayarın, sesli mesaj "confirm factory reset (fabrika ayarını onayla)" belirttiğinde [+] düğmesine basılarak onaylanması gereklidir.

NIB İÇİN SORUN GİDERME

Sorun	Olası Nedenler	Öneri
Kulaklık, yayın sırasında bip sesi çıkarıyor.	NIB kanalı dört kişi tarafından kullanılmaktadır.	Mevcut bir pozisyon için bekleyin.
Kulaklık, yayın sırasında bip sesi çıkarıyor.	Alan dahilinde başka bir kulaklık yok.	Alan dahilinde kullanılan başka bir kulaklığın olmasını sağlayın.
Başkalarını işitemiyor veya başkaları ile iletişim kuramıyorsunuz.	Faaliyet gösterdiğiniz bölgenin doğru NIB frekansını kullanmıyorsunuz.	Menüde doğru NIB frekansını seçin. Bkz. NIB frekansı.
Başkalarını işitemiyor veya başkaları ile iletişim kuramıyorsunuz.	NIB etkinleştirilmemiştir.	PTT düğmesini kullanarak farklı modlar arasında geçiş yapın. Bkz. NIB'i Etkinleştirme.

TEMİZLİK VE BAKIM

Dış kabukları, kafa bandını ve kulak tamponlarını temizlemek için ılık su ve sabunla nemlendirilmiş bir bez kullanın.

NOT: Ses önleyici suya BATIRMAYIN. Ses önleyici yağmur veya ter nedeniyle ıslanırsa susturucuları dışa doğru çevirin, kulak tamponlarını ve köpük astarları çıkarın ve yeniden monte etmeden önce kurumasını bekleyin. Kulak tamponları ve köpük astarlar kullanıma bağlı olarak yıpranabileceğinden, çatlama veya diğer hasarlara karşı düzenli aralıklarla kontrol edilmelidir. Düzenli kullanımlarda 3M tutarlı sönümlenme, hijyen ve rahatlığı korumak amacıyla köpük astarların ve kulak tamponlarının yılda en az iki kez yenilenmesini önermektedir. Hasarlı kulak tamponları yenilenmelidir. Aşağıda verilen Yedek Parça Bölümüne başvurun.

KULAK TAMPONLARINI ÇIKARMA VE DEĞİŞTİRME

F:1 Kulak tamponunu çıkarmak için, parmaklarınızı kulak tamponunun iç kenarının altına kaydırın ve düz bir şekilde sıkıca çekerek çıkarın.

F:2 Mevcut astar(lar)ı çıkarın ve yeni köpük astar(lar)ı takın.

F:3 Kulak tamponunun bir kısmını kulaklığın oluğuna takın ve kulak tamponu yerine bir tıklama sesiyle oturuncaya dek aksi taraftan bastırın.

MİKROFON KORUYUCU BANDI UYGULAMA

Kollu konuşma mikrofonunu nem ve kirden korumak için, HYM1000 mikrofon koruyucu kullanın.

Koruyucuyu takma (Şekil G):

G:1 Mikrofon koruyucu banttan 100 mm'lik bir bölüm kesmek için makas kullanın. Koruyucu kağıdı çıkarın.

G:2 Mikrofonu resimde gösterilen şekilde bandın ucuna yerleştirin.

G:3 Koruyucu bandı ikiye katlayın; mikrofonu tamamen kaplamasına dikkat edin.

G:4 Koruyucu bandı yerine sabitlemek için sıkıca bastırın.

G:5 Mikrofon artık kullanıma hazırdır.

YEDEK PARÇA VE AKSESUARLAR

3M™ PELTOR™ HY68 SV Hijyen seti

Değiştirilebilir hijyen seti. Ses sönümlenme, hijyen ve rahatlığın sürekli muhafaza edilebilmesi için yılda en az iki kez yenilenir.

3M™ PELTOR™ HY80-EU Jel tampon hijyen seti

3M™ PELTOR™ HY100A Tek kullanımlık koruyucular

Kulak tamponlarına kolayca takılabilen tek kullanımlık koruyucu.

3M™ PELTOR™ MT73 Su geçirmez mikrofon

Su geçirmez dinamik konuşma mikrofonu.

3M™ PELTOR™ M171/2 Mikrofon için rüzgâr kalkanı

3M™ PELTOR™ HYM1000 Mikrofon koruyucusu

Konuşma mikrofonunu koruyan, nem ve rüzgâra karşı dirençli bant.

3M™ PELTOR™ M60/2 Ortam (surrounding) mikrofonları için rüzgâr koruması

3M™ PELTOR™ HY450/1 Baş pedi

Katlanabilir kafa bantlarında, küçük ebatlı seri teçhizatları için kullanılır.

3M™ PELTOR™ LR03NM Pili AAA NİMH

GARANTİ VE SORUMLULUĞUN SINIRLANDIRILMASI

GARANTİ: Herhangi bir 3M Kişisel Güvenlik Bölümü ürününün malzeme veya işçilik açısından kusurlu bulunması veya belirli bir amaç için açık garanti ile bir şekilde uyumlu olmaması durumunda 3M'in yegane yükümlülüğü ve sizin tek başvuru yolunuz, konuyu zamanında bildirmeniz ve ürünün 3M'in yazılı

talimatlarına uygun şekilde depolandığı, muhafaza edildiği ve kullanıldığının kanıtlanması kaydıyla, söz konusu parça veya ürünleri 3M'in inisiyatifi altında onarma, yenileme veya satın alma ücretini iade etmekle sınırlıdır. YASALARIN YASAKLADIĞI DURUMLAR DIŞINDA, BU GARANTİ KİŞİYE ÖZELDİR VE AÇIK VEYA ÖRTÜLÜ TÜM TİCARİ GARANTİLERİN, BELİRLİ BİR AMACA UYGUNLUK GARANTİLERİNİN VEYA KALİTEYE İLİŞKİN DİĞER GARANTİLERİN VEYA SÖZLEŞME KAYNAKLI ÇÖZÜMLERDEN, TİCARİ TEAMÜL VEYA GELENEKLERDEN DOĞAN GARANTİLERİN, MÜLKİYET HAKKI VE PATENT İHLALİ HARİÇ OLMAK KAYDIYLA YERİNE GEÇER. 3M'in bu garanti kapsamında, yetersiz veya yanlış depolama, taşıma, veya bakım; ürün talimatlarının takip edilmemesi; veya üründe kaza, ihmâl veya yanlış kullanım sonucunda meydana gelebilecek değişiklik veya hasar nedeniyle arızalanmış herhangi bir ürüne ilişkin herhangi bir yükümlülüğü bulunmamaktadır.

YÜKÜMLÜLÜĞÜN SINIRLANDIRILMASI: YASALARIN YASAKLADIĞI DURUMLAR DIŞINDA 3M BU ÜRÜNDEN DOĞRUDAN, DOLAYLI, ÖZEL, TESADÜFİ VEYA NİHAİ OLARAK KAYNAKLANAN HERHANGİ BİR KAYIP VEYA HASARDAN (KÂR KAYBI DAHİL), İLERİ SÜRÜLEN HUKUKİ TEORİ DİKKATE ALINMAKSIZIN, HİÇBİR DURUMDA YÜKÜMLÜ OLMAYACAKTIR. BURADA BELİRTİLEN ÇÖZÜMLER KİŞİYE ÖZELDİR.

DEĞİŞİKLİK YAPILMAMASI: Bu cihazda yapılacak değişiklikler, 3M Şirketinin yazılı izni olmadan gerçekleştirilmemelidir. Yetkilendirilmemiş değişiklikler garantiyi ve kullanıcının cihazı çalıştırma yetkinliğini geçersiz kılabılır.

NOT:

- Eski ve yeni pilleri birlikte kullanmayın.
- Alkalın, standart veya şarj edilebilir pilleri birlikte kullanmayın.
- Pili gereken şekilde imha etmek için, bölgenizde geçerli katı atık imha yönetmeliklerini izleyin.
- Yalnızca tek kullanımlık AAA veya (uygun şekilde) şarj edilebilir NiMH pillerden kullanın.

3M™ PELTOR™ ComTac™ VI NIB Headset MT20H682**.*N**

ВСТУП

Вітаємо вас із покупкою та дякуємо, що ви обрали засоби зв'язку 3M™ PELTOR™. Ознайомтеся із новим поколінням засобів зв'язку, що захищають органи слуху.

ПРИЗНАЧЕННЯ

Ця гарнітура 3M™ PELTOR™ призначена для захисту від шкідливих рівнів шуму та гучних звуків, одночасно надаючи користувачам можливість чути те, що відбувається навколо за допомогою мікрофонів для прослуховування зовнішніх/навоколишніх звуків, чути розмови з підключених пристроїв зв'язку та безпосередньо спілкуватись з колегами за допомогою вбудованої технології Natural Interaction Behavior («Природна інтерактивна поведінка», або NIB) в умовах високого стаціонарного рівня шуму. Усі користувачі повинні уважно ознайомитись з інструкціями та способами використання цього пристрою.

ВАЖЛИВО!

Перед використанням уважно прочитайте ці інструкції та дотримуйтеся наведених у них правил техніки безпеки. Збережіть ці інструкції для використання в майбутньому. Для отримання детальнішої інформації або в разі виникнення запитань звертайтеся до служби технічної підтримки компанії 3M (контактну інформацію див. на останній сторінці).



ОБЕРЕЖНО!

Цей засіб захисту органів слуху дозволяє зменшити вплив небезпечного шуму та інших гучних звуків. Неправильне використання або відмова від використання засобів захисту органів слуху під час впливу небезпечного шуму може призвести до втрати слуху або травмування органів слуху. Щоб отримати інформацію щодо правильного використання, зверніться до свого безпосереднього керівника та прочитайте інструкції з експлуатації або зателефонуйте до служби технічної підтримки компанії 3M. Якщо навоколишні звуки здаються приглушеними, ви чуєте дзвін або джигкання під час чи після шумового впливу (у тому числі пострілів) або якщо ви з будь-якої іншої причини підозрюєте наявність проблеми зі слухом, негайно залиште середовище з високим рівнем шуму і зверніться до лікаря та/або свого безпосереднього керівника.

Недотримання наведених нижче інструкцій може призвести до серйозного травмування або смерті.

- Прослуховування музики або використання навушників для аудіов'язку може знизити ваше усвідомлення ситуації та здатність чути попереджувальні сигнали. Будьте уважними та зменште гучність звуку до найнижчого прийняттого рівня. На деяких робочих місцях чутність сигналу попередження може бути зниженою під час використання розважальних функцій.
- Щоб зменшити ризик виникнення вибуху, не використовуйте цей виріб у вибухонебезпечному середовищі.

Недотримання цих інструкцій може знизити ступінь захисту, який забезпечують протишумні навушники, і призвести до втрати слуху.

- Дослідження показують, що в багатьох випадках зниження рівня шуму для користувачів може бути меншим, ніж обіцяють показники послаблення, зазначені на упакуванні, через різницю в припасуванні приладу, навички припасування та мотивацію користувача. Отримати вказівки щодо коригування вказаних на етикетці значень та оцінки послаблення можна в застосованих нормах. Крім того, компанія 3M настійно рекомендує перевіряти припасування засобів захисту органів слуху.
- Переконайтеся, що засіб захисту органів слуху було належним чином обрано, припасовано, відрегульовано, а також забезпечено його технічне обслуговування. У разі неналежного припасування цього пристрою його ефективність у послабленні шуму зменшиться. Для виконання належного припасування див. інструкції з комплекту постачання.
- Перед кожним використанням ретельно оглядайте засіб захисту органів слуху. У разі виявлення пошкодження необхідно вибрати непошкоджений засіб захисту органів слуху або уникати впливу середовища з високим рівнем шуму.
- У разі необхідності використання додаткових засобів індивідуального захисту (наприклад, захисні окуляри, респіратори тощо) обирайте моделі з гнучкими, тонкими дужками або ремінцями, щоб звести до мінімуму взаємодію з амбушурами протишумних навушників. Приберіть усі сторонні об'єкти (наприклад, волосся, шапки, прикраси, навушники, гігієнічні комплекти тощо), які можуть взаємодіяти з ущільненням амбушурів протишумних навушників та зменшувати рівень захисту протишумних навушників.
- Не згинайте голову чи шийну дужку і не змінюйте їх форму, а також переконайтеся, що протишумні навушники надійно тримаються на місці.
- Протишумні навушники і зокрема амбушури можуть зношуватися у міру використання. Їх необхідно регулярно перевіряти на наявність тріщин або проникнення шуму. У разі регулярного використання для забезпечення належного захисту, гігієни та комфорту амбушури та спінених вкладишів необхідно замінювати щонайменше двічі на рік.
- Рівень вихідного сигналу від електричної аудіосхеми цього засобу захисту органів слуху може перевищувати денне обмеження рівня звукового сигналу. Зменште гучність звуку до найнижчого прийняттого рівня.
- У разі недотримання наведених вище вимог рівень захисту, що забезпечується навушниками, значно знизиться.

Вимоги щодо безпеки згідно з EN 352:

- Рівень вихідного сигналу з кола диференційного регулювання цього засобу захисту органів слуху може перевищувати рівень навоколишнього звуку.
- Надягання гігієнічних чохлів на амбушури може погіршити якість звуку в протишумних навушниках.
- Якість роботи може погіршуватись внаслідок розряду батареї. Стандартний час безперервної роботи, який можна очікувати від батареї для протишумних навушників, становить приблизно:

- LDF та NIB: 30 годин;
- LDF: 50 годин.
- Цей виріб може бути пошкоджений деякими хімічними речовинами. За докладнішою інформацією звертайтеся до виробника.
- Ці протишумні навушники є навушниками малого розміру. Протишумні навушники, що відповідають стандартам EN 352-1, можуть бути середнього, малого або великого розміру. Протишумні навушники середнього розміру підходять для більшості користувачів. Протишумні навушники малого або великого розміру призначені для користувачів, яким не підходять навушники середнього розміру.
- Виріб не підходить для надто тривалого шуму низької частоти.

УВАГА!

- Існує ризик вибуху в разі застосування батареї неправильного типу.
- Завжди використовуйте запасні частини, призначені для конкретного виробу 3M. Використання запасних частин, що не мають спеціального дозволу, може знизити захисні властивості цього виробу.

ПРИМІТКА

- У разі використання з дотриманням інструкцій з експлуатації цей засіб захисту органів слуху допомагає зменшити вплив безперервних шумів, таких як промислові шуми, шуми від транспортних засобів та літальних апаратів, а також імпульсних шумів високої гучності, наприклад пострілів. Необхідний та/або фактичний захист органів слуху в разі впливу імпульсних шумів визначити важко. У випадку з пострілами на якість роботи захисного приладу впливає тип зброї, кількість пострілів, правильний добір, припасування та використання засобів захисту органів слуху, належний догляд за ними, а також інші фактори. Для отримання детальної інформації щодо засобів захисту органів слуху від імпульсного шуму завітайте на сторінку www.3M.com/hearing.
- Ці навушники обладнано функцією диференційного регулювання. Користувач має спершу перевірити правильність їхньої роботи. У разі виникнення спотворень звуку або збоїв ознайомтеся з інструкціями виробника щодо обслуговування та заміни батареї.
- Ці протишумні навушники обладнано електричним аудіовходом. Користувач має спершу перевірити правильність їхньої роботи. У разі виникнення спотворень звуку або збоїв ознайомтеся з інструкціями виробника.
- Діапазон робочих температур: від $-20\text{ }^{\circ}\text{C}$ ($-4\text{ }^{\circ}\text{F}$) до $55\text{ }^{\circ}\text{C}$ ($131\text{ }^{\circ}\text{F}$).
- Діапазон температур зберігання: від $-20\text{ }^{\circ}\text{C}$ ($-4\text{ }^{\circ}\text{F}$) до $55\text{ }^{\circ}\text{C}$ ($131\text{ }^{\circ}\text{F}$).
- Маса засобу захисту органів слуху:
MT20H682FB-**N** = 340 г, MT20H682BB-**N** = 313 г,
MT20H682FB-**N** (HY80) = 379 г.
- Строк зберігання: 5 років, за винятком батарей.

СХВАЛЕННЯ

Ця компанія 3M Svenska AB заявляє, що засіб радіозв'язку відповідає Директиві 2014/53/EU та іншим відповідним

директивам для виконання вимог щодо маркування CE. Компанія 3M Svenska AB заявляє, що ця гарнітура, яка належить до 313, відповідає Регламенту Європейського Союзу (EU) 2016/425 або Директиві ЄС 89/686/ЄЕС.

Застосовні в даному випадку норми законодавства можуть бути визначені шляхом перегляду Декларації відповідності (Declaration of Conformity, DoC) за посиланням: www.3M.com/peltor/doc. У DoC також зазначається, чи застосовуються інші затверджені типові зразки. Переглядаючи DoC, необхідно знайти номер свого виробу. Номер ваших протишумних навушників можна знайти внизу однієї з чашок. Дивіться приклад на наведеному нижче рисунку.



Цей виріб, що належить до 313, перевіряється щорічно (якщо входить до категорії III) та затверджується Фінським інститутом охорони праці (Finnish Institute of Occupational Health), уповноважений орган сертифікації № 0403, Töpeliusenkatu 41 b, FI-00250 Helsinki, Finland (Фінляндія). Виріб виробувано та схвалено відповідно до стандартів EN 352-1:2002, EN 352-4:2001/A1:2005, EN 352-6:2002.

Копію DoC та додаткову інформацію, що вимагається в директивах, можна також отримати, звернувшись до компанії 3M у країні придбання виробу. Контактну інформацію наведено на останніх сторінках цього посібника користувача.



Цей виріб містить електричні й електронні компоненти, тому його не можна утилізувати разом з побутовим сміттям. Дотримуйтеся місцевих директив з утилізації електричних та електронних виробів.

ЛАБОРАТОРНЕ ПОСЛАБЛЕННЯ ШУМУ

Коефіцієнт послаблення співвідношення «сигнал — шум» було отримано з вимкненим живленням пристрою. Пояснення до таблиці послаблення.

Європейський стандарт EN 352

Дослідження показують, що в багатьох випадках зниження рівня шуму для користувачів може бути меншим, ніж обіцяють показники послаблення, зазначені на упакуванні, через різницю в припасуванні приладу, навички припасування та мотивацію користувача. Отримати вказівки щодо коригування вказаних на етикетці значень та оцінки послаблення можна в застосовних нормах. Крім того, компанія 3M настійно рекомендує перевіряти припасування засобів захисту органів слуху.

- A:1. Частота (Гц).
- A:2. Середнє послаблення (дБ).
- A:3. Стандартне відхилення (дБ).
- A:4. Очікувана ефективність захисту, APV (дБ).
- A:5.

N — оцінка ефективності засобів захисту слуху від впливу звуків високої частоти ($f \geq 2000$ Гц).

M — оцінка ефективності засобів захисту слуху від впливу звуків середньої частоти (500 Гц < f < 2000 Гц).

L — оцінка ефективності засобів захисту слуху у разі впливу звуків низької частоти (f ≤ 500 Гц).

A:6. Рівень критеріїв.

H — рівень критеріїв для шуму високої частоти.

M — рівень критеріїв для шуму середньої частоти.

L — рівень критеріїв для шуму низької частоти.

A:7. Європейський стандарт EN 352-6 Рівні зовнішнього аудіоходу.

A:8. Рівень вхідного сигналу U (мВ, середньоквадр.).

A:9. Середній рівень звукового тиску (дБ(A)).

A:10. Стандартне відхилення звукового тиску (дБ).

A:11. Значення вхідного сигналу, для якого середнє значення плюс одне стандартне відхилення дорівнює 82 дБ(A).

V) Діючий в Австралії /Новій Зеландії стандарт AS/NZS 1270:2002.

V:1. Випробувальна частота (Гц).

V:2. Середнє послаблення, середн. послабл.

V:3. Стандартне відхилення, ст. відх.

V:4. Середнє послаблення мінус стандартне відхилення.

КОМПОНЕНТИ

C:1. Складана головна дужка.

C:2. Важіль-тримач чашки.

C:3. Двоточкові кріплення.

C:4. Чашка.

C:5. Кришка відсіку для батарей.

C:6. Мікрофон для прослуховування зовнішніх/нарколишніх звуків.

C:7. Демпфувальна накладка.

C:8. Амбушура.

C:9. Кабель зовнішнього входу (лише у окремих моделях).

C:10. Мікрофон (лише у окремих моделях).

C:11. Шийна дужка.

C:12. Мікрофонний вхід (J22) (лише у окремих моделях).

C:13. Кнопка [-] на цифровій клавіатурі.

C:14. Кнопка [+] на цифровій клавіатурі.

C:15. Тангента системи NIB.

ІНСТРУКЦІЇ ЗІ ВСТАНОВЛЕННЯ

Головна дужка

D:1. Зсуньте чашки та відхиліть верхню частину корпусу назовні, оскільки кабель має бути із зовнішньої сторони головної дужки.

D:2. Відрегулюйте висоту чашок пересуванням вгору та вниз, утримуючи головну дужку на місці.

D:3. Головна дужка має проходити через верхню частину голови, як це показано на малюнку, та має підтримувати вагу гарнітури.

Шийна дужка

D:4. Помістіть чашки в положення над вухами.

D:5. Тримайте чашки в потрібному положенні, розташуйте головний ремінець на тімені та щільно зафіксуйте його в потрібному положенні.

D:6. Головний ремінець має бути розташований на верхній частині голови.

E:1 — E:2. Встановлення мікрофона

Щоб максимально підвищити ефективність роботи мікрофона в шумних місцях, розташуйте його якомога ближче до рота (менше 3 мм, або ¼ дюйма).

ПРИМІТКА. Під час використання виробу на великій висоті / в авіації (наприклад, під час набору висоти у гелікоптері) швидке зниження тиску навколишнього середовища може впливати на чутливість мікрофона. У такому випадку розташуйте мікрофон ближче до себе і/або говоріть гучніше, щоб збільшити тиск на мембрану мікрофона.

ІНСТРУКЦІЇ З ВИКОРИСТАННЯ

Заміна батарей (рис. 1)

1–2. Змініть кришки з відсіків для батарей та вставте батареї (2xAAA).

3. Полярність батарей повинна відповідати маркуванню, вказаному у відсіку для батарей.

4. Щоб забезпечити гарне ущільнення, кришки повинні бути повністю притиснуті. Коли рівень заряду батареї буде низьким, декілька разів пролунає голосове повідомлення «Low battery» (Низький заряд батареї).

Увімкнення та вимкнення гарнітури (рис. 2)

Щоб увімкнути або вимкнути гарнітуру, натисніть кнопку [+] або [-] та утримуйте її натиснутою протягом приблизно 2 секунд. Увімкнення або вимкнення буде підтвержене голосовим сигналом. Під час вимкнення гарнітури поточні налаштування завжди зберігаються, за винятком випадків.

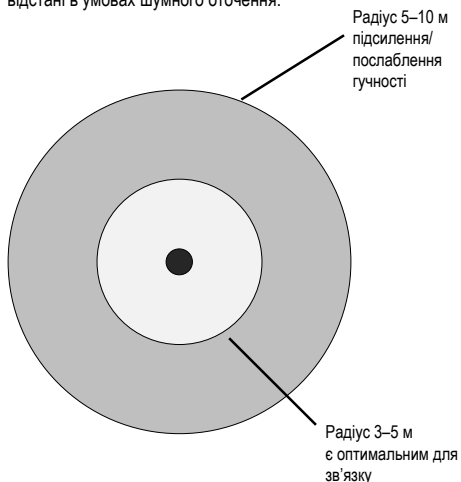
Гарнітура автоматично вимикається, якщо вона не працює протягом двох годин. На це вказують голосові повідомлення на останній хвилині, після чого гарнітура вимикається. Натисніть кнопку [+] або [-], щоб розпочати новий двогодинний період.

Регулювання гучності (рис. 3)

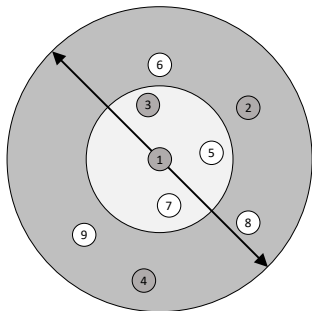
Натисніть [+] або [-], щоб відрегулювати гучність прослуховування навколишнього середовища. Доступні чотири рівні налаштувань а також можливість вимкнути прослуховування навколишнього середовища. Максимальне налаштування підтверджується звуковим сигналом. Перехід в режим вимкненого прослуховування навколишнього середовища підтверджується голосовим повідомленням.

Безпосереднє спілкування за допомогою технології NIB

NIB робить можливим безпосереднє спілкування на близькій відстані в умовах шумного оточення.

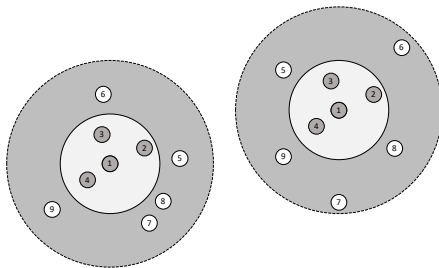


Технологія NIB забезпечує бездротовий зв'язок у радіусі 10 м. Двосторонній зв'язок для групи до чотирьох чоловік в межах вказаного периметру.



В шумному оточенні просто підійдіть ближче до особи, з якою ви бажаєте поспілкуватись. Технологія NIB буде плавню регулювати гучність в сторону збільшення або зменшення (в радіусі 5–10 м) та дозволить спілкуватись з людьми, які знаходяться поряд. Для забезпечення оптимального сигналу зв'язку залишайтеся в межах радіуса 3–5 м. Якщо всі чотири канали двостороннього зв'язку (1–4) зайняті, інші користувачі все ще зможуть слухати розмови, але не зможуть передавати радіосигнал (5–9). Максимальна кількість слухачів обмежується кількістю людей, які знаходяться в радіусі 10 м, а не можливостями технології.

ПРИМІТКА. Якщо більш ніж чотири користувачі спробують здійснити передачу радіосигналу за допомогою NIB, 5-й користувач та вся решта, які теж спробують здійснити передачу, почують звуковий сигнал, який вказуватиме на те, що поточна розмова не передається.



Те, до якої з груп користувачів NIB буде належати саме ви, буде залежати від вашого місцезнаходження та місцезнаходження інших гарнітур NIB.

NIB працює, коли рівень навколишнього шуму перевищує прибл. 80 дБ і коли шум триває довше, ніж 1 секунда.

NIB також може працювати, коли рівень шуму нижче 80 дБ, якщо користувач натисне тангенту в режимі PTT або VOX.

Активізація NIB (рис. 7)

Подвійне швидке натискання тангенти здійснює перемикання між NIB PTT ON (NIB PTT УВІМК.)/NIB OFF (NIB ВІМК.)/NIB VOX ON (NIB VOX УВІМК.).

Натисканням та утриманням тангенти NIB PTT забезпечується зв'язок в радіусі 10 м у режимах NIB VOX ON (NIB VOX УВІМК.) та NIB PTT ON (NIB PTT УВІМК.).

NIB VOX ON (NIB VOX УВІМК.) — у цьому режимі високий рівень шуму активує радіопереговорний пристрій NIB та забезпечує зв'язок VOX (з голосовим управлінням) для групи до чотирьох користувачів. Натискання тангенти PTT у режимі VOX ON (VOX УВІМК.) також робить можливим зв'язок в нешумних умовах.

Якщо гарнітура використовується в умовах переривчастого шуму, шум може активувати NIB VOX багато разів підряд. В такий ситуації ви можете скористатися режимом NIB PTT ON (NIB PTT УВІМК.).

NIB PTT ON (NIB PTT УВІМК.) — у цьому режимі для здійснення висилання радіосигналу слід натиснути тангенту PTT.

NIB OFF (NIB ВІМК.) — цей режим ВИМИКАЄ передавач та приймач NIB. У режимі NIB OFF (NIB ВІМК.) радіопередавач NIB не передає жодного радіосигналу.

Тангента для NIB (рис. 8)

Натисніть та утримуйте тангенту PTT на лівій чашці для передачі радіосигналу в NIB.

Вхід до меню (рис. 4)

1. Натисніть та утримуйте кнопки [+] та [-], щоб увійти до меню. Увімкнення або вимкнення буде підтвержене голосовим повідомленням.
2. Короткочасно натискайте кнопку [-], щоб переміщуватися по меню. Нижче наводяться пункти меню.
3. Використовуйте кнопку [+] для зміни налаштувань та, за наявності, переходу до доступних налаштувань. Кожний

крок підтверджується голосовим повідомленням, потім здійснюється перехід до поточних налаштувань. Зміни також підтверджуються голосовим повідомленням. Якщо протягом декількох секунд жодні дії не виконуються, меню повертається в режим регулювання гучності. При натисканні кнопок [+] та [-], налаштування гучності можуть бути негайно досягнуті у будь-якому пункті меню.

Ambient/Environmental listening mode (Режим прослуховування зовнішнього/навоколишнього середовища)

Режим прослуховування зовнішнього/навоколишнього середовища є доступним в класичному режимі та у покращеному режимі. Класичний режим дозволяє відрегулювати гучність в чотири кроки, збільшуючи або зменшуючи рівень гучності прослуховування зовнішнього/навоколишнього середовища. Покращений режим включає чотири попередні налаштування, оптимізовані для різних звукових профілів.

Налаштування	Призначення
Покращений режим 1 (Комфортний)	Для створення комфорту у дуже шумному середовищі.
Покращений режим 2 (Розмова)	Для створення природних слухових відчуттів в умовах, коли необхідним є захист від раптових шумів.
Покращений режим 3 (Патрулювання)	Для доброї обізнаності щодо ситуації під час роботи в умовах з низьким рівнем шуму.
Покращений режим 4 (Спостереження)	Для відмінної обізнаності щодо ситуації в тихий обстановці.

Battery (Батареї)

Оберіть тип батареї, яку ви використовуєте у вашій гарнітурі — лужну або таку, що заряджається.

Wireless input (Бездротовий ввід)

1. Дотримуйтеся інструкції користувача 3M™ PELTOR™ TEP-LOOP*, щоб налаштувати нашійну індукційну петлю.
2. Увійдіть у меню гарнітури й налаштуйте бездротовий ввід і чутливість, щоб вони відповідали підключеному пристрою. Виберіть Off (Вимк.) / Low (Низьк.) / Medium (Сер.) / High (Висок.).
3. У разі необхідності відрегулюйте гучність на зовнішньому радіоприймачі.

ПРИМІТКА. Гучність може відрізнятись в залежності від відстані між гарнітурою і нашійною індукційною петлею.

Wired input (Кабельний ввід)

Налаштуйте кабельний ввід та чутливість, щоб вони відповідали підключеному пристрою. Виберіть Low (Низьк.) / High (Висок.).

Balance (Баланс)

Налаштуванням балансу регулюється баланс гучності між правим та лівим вухами. Є сім рівнів налаштувань: Center (Центр), Left 1 (Лівий 1), Left 2 (Лівий 2), Max left (Макс. лівий), Max right (Макс. правий), Right 2 (Правий 2), Right 1 (Правий 1).

Warning signals (Попереджувальні сигнали)

Налаштування попереджувальних сигналів вимикає/вимикає

попереджувальні сигнали «Low battery» (Низький заряд батареї) та «Automatic power off» (Автоматичне вимкнення живлення). Після вимкнення жоден з цих попереджувальних сигналів не буде чути.

Automatic power off (Автоматичне вимкнення живлення)

Налаштування автоматичного вимкнення живлення вимикає/вимикає функцію автоматичного вимкнення живлення.

NIB frequency (Частота NIB)

Для Північної Америки, Австралії та Нової Зеландії робочою частотою є 915 МГц.

Для Європи встановлена частота 864 МГц.

Виберіть частоту NIB: 864 МГц (ЄС) або 915 МГц (Північна Америка, Австралія та Нова Зеландія). Натисніть [+], що зробити вибір та натисніть та утримуйте [+], щоб підтвердити вибір.

ПРИМІТКА. Пересвідчіться, що ви використовуєте частоту, яка затверджена в регіоні, в якому ви працюєте.

Factory reset (Скидання до заводських налаштувань)

Скидає всі параметри меню до заводських значень. Це налаштування потрібно підтвердити, натиснувши кнопку [+], коли пролунає голосове повідомлення «Confirm factory reset» (Підтвердити скидання до заводських налаштувань).

ПОШУК ТА УСУНЕННЯ ПРОБЛЕМ В РОБОТІ NIB

Проблема	Можливі причини	Рекомендація
Під час передачі гарнітура видає звуковий сигнал.	Канал NIB зайнятий чотирма людьми.	Дочекайтесь вільного вікна.
Під час передачі гарнітура видає звуковий сигнал.	В межах периметра відсутні інші гарнітури.	Пересвідчіться, що в межах периметра використовується інша гарнітура.
Неможливість почути інших та поговорити з ними.	Частота NIB, яку ви використовуєте, не відповідає регіону, в якому ви працюєте.	Оберіть правильну частоту NIB в меню. Див. «Частота NIB».
Неможливість почути інших та поговорити з ними.	Функція NIB не активована.	Здійснійте перемикання з одного режиму на інший за допомогою тангенти РТТ. Див. «Активация NIB».

ОЧИЩЕННЯ І ТЕХНІЧНЕ ОБСЛУГОВУВАННЯ

Для очищення зовнішнього покриття, головної дужки та амбушурів використовуйте тканину, змочену теплою водою з додаванням мила.

ПРИМІТКА. НЕ занурюйте засіб захисту органів слуху у воду. У разі намокання засобу захисту органів слуху від дощу або

поту виверніть протишумні навушники, зніміть амбушури та спінени вкладиші й залиште їх висихати, а потім знову все зберіть. З часом амбушури та спінени вкладиші зношуються, тому їх необхідно регулярно перевіряти на наявність тріщин або інших пошкоджень. У разі регулярного використання компанії 3M рекомендує щонайменше двічі на рік замінювати спінени вкладиші та амбушури для забезпечення належного послаблення шуму, гігієни та комфорту. У разі пошкодження амбушуру його необхідно замінити. Див. розділ «Запасні частини» нижче.

ЗНЯТТЯ ТА ЗАМІНА АМБУШУРІВ

F:1. Щоб витягнути амбушури, просуньте палець під внутрішні краї амбушурів та потягніть їх.

F:2. Витягніть спінени вкладиші та вставте нові спінени вкладиші.

F:3. Притисніть один бік амбушура до паза чашки та натисніть на протилежний бік, поки амбушури не стане на місце.

НАКЛАДАННЯ ЗАХИСНОЇ СТРІЧКИ ДЛЯ МІКРОФОНА

Щоб захистити мікрофон від вологи та бруду, використовуйте захисний чохол HYM1000.

Встановлення захисного чохла (рис. G).

G:1. Візьміть ножиці та відріжте 100 мм захисної стрічки для мікрофона. Зніміть захисний шар паперу.

G:2. Покладіть мікрофон на кінець стрічки, як показано на малюнку.

G:3. Складіть захисту стрічку, та пересвідчіться, що вона закриває мікрофон.

G:4. Міцно натисніть, щоб приклеїти захисну стрічку.

G:5. Мікрофон готовий до експлуатації.

ЗАПАСНІ ЧАСТИНИ ТА АКСЕСУАРИ

Гігієнічний набір 3M™ PELTOR™ HY68 SV

Змінний гігієнічний набір. Замінійте компоненти щонайменше двічі на рік, щоб забезпечити надійне послаблення звуку, гігієнічність і зручність користування.

Гігієнічний комплект з гелевими подушечками 3M™ PELTOR™ HY80-EU

Одноразові захисні елементи 3M™ PELTOR™ HY100A

Одноразові захисні елементи, що легко надягаються на вушні амбушури.

Водонепроникний мікрофон 3M™ PELTOR™ MT73
Водонепроникний динамічний мікрофон.

Вітрозахисний екран для мікрофона 3M™ PELTOR™ M171/2

Захисний чохол мікрофона 3M™ PELTOR™ HYM1000
Стьіка до впливу вологи та вітру стрічка, яка захищає мікрофон.

Захист від вітру для зовнішніх мікрофонів
3M™ PELTOR™ M60/2

Підкладка на голову 3M™ PELTOR™ HY450/1

Використовується для припасування до складаних головних дужок малих розмірів.

Батарея AAA NIMH 3M™ PELTOR™ LR03NM

ГАРАНТІЯ ТА ОБМЕЖЕННЯ ВІДПОВІДАЛЬНОСТІ

ГАРАНТІЯ. У випадку, якщо будь-який виріб відділення засобів індивідуального захисту компанії 3M визнаний таким, що має дефекти матеріалу, якості виготовлення або не відповідає будь-якій прямій гарантії для конкретної мети, єдиним обов'язком 3M та вашим виключним засобом правового захисту буде, за вибором компанії 3M, ремонт, заміна або повернення ціни придбання таких частин або виробів після своєчасного повідомлення про проблему та підтвердження того, що виріб зберігався, обслуговувався та використовувався відповідно до письмових інструкцій 3M. **КРИМ ВИПАДКІВ, КОЛИ ЦЕ ЗАБОРОНЕНО ЗАКОНОДАВСТВОМ, ДАНА ГАРАНТІЯ Є ВИКЛЮЧНОЮ ТА ЗАМІНЮЄ БУДЬ-ЯКУ ПРЯМУ АБО НЕПРЯМУ ГАРАНТІЮ ТОВАРНОЇ ЯКОСТІ, ПРИДАТНОСТІ ДЛЯ ВИКОРИСТАННЯ ЗА ПЕВНИМ ПРИЗНАЧЕННЯМ АБО ІНШУ ГАРАНТІЮ ЯКОСТІ, А ТАКОЖ ТІ ГАРАНТІЇ, ЩО ЗУМОВЛЕНІ ЗВИЧАЙНОЮ ПРАКТИКОЮ ВЕДЕННЯ ДІЛОВИХ ОПЕРАЦІЙ, ТОРГОВИМИ ТРАДИЦІЯМИ АБО ЗВИЧАЯМИ, КРИМ ПРАВА ВЛАСНОСТІ ТА З МЕТОЮ ЗАПОБІГАННЯ ПОРУШЕННЮ ПАТЕНТНОГО ПРАВА.** Відповідно до цієї гарантії компанія 3M не має жодних зобов'язань щодо будь-якого виробу, який вийшов з ладу у зв'язку з неналежним або неправильним зберіганням, поводженням чи обслуговуванням; недотриманням інструкцій з використання; модифікацією або пошкодженням виробу в результаті нещасного випадку, недбалості або неправильного використання.

ОБМЕЖЕННЯ ВІДПОВІДАЛЬНОСТІ: КРИМ ВИПАДКІВ, КОЛИ ЦЕ ЗАБОРОНЕНО ЗАКОНОДАВСТВОМ, КОМПАНІЯ 3M ЗА ЖОДНИХ ОБСТАВИН НЕ НЕСЕ ВІДПОВІДАЛЬНОСТІ ЗА БУДЬ-ЯКІ ПРЯМІ, НЕПРЯМІ, ОСОБЛИВІ, ДОДАТКОВІ ЧИ ПОБІЧНІ ВТРАТИ АБО ЗБИТКИ (У ТОМУ ЧИСЛІ ЗБИТКИ, ПОВ'ЯЗАНІ З НЕДООТРИМАННЯМ ПРИБУТКУ), ЗУМОВЛЕНІ ДАНИМ ВИРОБОМ, НЕЗАЛЕЖНО ВІД ПРАВОВОЇ ТЕОРІЇ, ЯКА ЗАСТОСОВУЄТЬСЯ. ВИКЛАДЕНІ В ДАНОМУ ДОКУМЕНТІ ЗАСОБИ ПРАВОВОГО ЗАХИСТУ Є ВИКЛЮЧНИМИ.

ПРИСТРІЙ ЗАБОРОНЕНО МОДИФІКУВАТИ. Цей пристрій не можна модифікувати без письмової згоди компанії 3M. Несанкціоновані модифікації можуть призвести до втрати гарантії та права користувача використовувати пристрій.

ПРИМІТКА.

- Не використовуйте разом старі та нові батареї.
- Не використовуйте разом лужні, стандартні або акумуляторні батареї.
- Дотримуйтесь місцевих правил утилізації твердих відходів для належної утилізації батарей.
- Використовуйте лише одноразові батареї типу AAA, або NIMH акумулятори (якщо потрібно).

Australia

3M Australia Pty. Limited
Building A, 1 Rivett Road
North Ryde, N.S.W. 2113
+61 1800 024 464

Austria

3M Österreich GmbH
Brunner Feldstraße 63 2380 Perchtoldsdorf
+43 01 86686 0

Belgium

3M Belgium N.V. / S.A.
Hermeslaan 7
1831 Diegem
+32 2 722 53 10

Bulgaria

3M Bulgaria Representation Office
1715 Sofia, Mladost 4 Business Park, sgrada 4
+359 2 960 19 11

Croatia

3M Croatia Representation Office
Predstavništvo, Žitnjak bbHRA 10000
Zagreb
+385 1 2499 750

Czech Republic

3M Česko, spol. s r. o.
V Parku 2343/24
140 00 Praha 4
+420 261 380 111

Denmark

3M a/s
Fabriksparken 15
DK-2600 Glostrup
+45 43480100

Estonia

3M Eesti filial
Mustamäe tee 410621 Tallinn
+372 6 115 900

Finland

Suomen 3M Oy PL 90,
Lars Sonckin kaari 602601
Espoo
+358 9 52 521

France

3M France
Bd de l'Oise
95006 Cergy-Pontoise cédex
+33 0810 331300

Germany

3M Deutschland GmbH
Carl-Schurz-Str. 1
41453 Neuss
+49 2131 14 26 04

Great Britain

3M United Kingdom
PLC3M Centre, Cain Road Bracknell,
RG12 8HT
+44 870 60 800 60

Greece

3M Hellas Limited
Κηφισίας 20151 25 Μαρούσι,
Αθήνα-Μαρούσι
+30 210 68 85 300

Hungary

3M Hungária Kft.
1136 Budapest
Váci út 140.
+36 1 270 7777

Ireland

3M Ireland
3M House, Adelphi Centre,
Upper Georges Street Dun Loaghair,
Co. Dublin
+353 1 800 320 500

Israel

ישראל בע"מ רח' מדינת היידיים
2042 הרצל'יה
91 ת.ד.

Italy

3M Italia S.p.A.
Loc. San Felice-Via San Bovio 3
20090 Segrate (MI)
+39 800 802145

Latvia

3M pārstāvniecība LatvijāK.
Ulmaņa gatve 5
LV-1004 Rīga
+371 67 066 120

Lithuania

3M atstovybė
Švitrigailos g. 11b
LT-03228, Vilnius, Lietuva
+370 5 216 07 80

Netherlands

3M Nederland B.V.
Industrieweg 24
2482 NW Zoeterwoude
+31 071 5 450 450

New Zealand

3M New Zealand Limited
94 Apollo Drive, Rosedale, AUCKLAND 0632
+64 (0)800 364 357

Norway

3M Norge A/S,
Avd. Verneprodukter, Postboks 100,
Hvamveien 6, 2026 Skjetten
+47 63 84 75 00

Pakistan

3M Pakistan (PVT) Ltd.
Islamic Chamber of Commerce Building ST-2/A,
Block 9, KDA Scheme 5,
Clifton-Karachi 75600
+92 21 111 2255 36

Poland

3M Poland Sp. z o.o.
Aleja Katowicka 117, 05-830 Nadarzyn
Kajetany K. Warszawy
+48 22 739 60 00

Portugal

3M Portugal Lda
Rua do Conde de Redondo 98
1169-009 Lisboa
+351 21 313 45 00

Romania

3M România
Bucharest Business Park,
Str. Menuetului 12, Cladirea D, et.3,
013713 Bucharest
+40 21 202 8000

Serbia

3M Representation Office
Beograd Milutina Milankovica 2311070
Novi Beograd
+381 11 3018459

Slovakia

3M Slovakia Representation Office
Obchodné zastupiteľstvo
Vajnorská 142, 831 04 Bratislava
+421 2 491 05 211

Slovenia

3M (East) AG
Podružnica v Ljubljani Cesta v Gorice 8,
SI-1000 Ljubljana
+386 1 2003 630

South Africa

3M South Africa
146a Kelvin Drive, Woodmead Sandton
2128 Rivonia
+27 011 806 2355

Spain

3M España,
S.A. Juan Ignacio Luca de
Tena 19-25, 28027 Madrid
+34 91 321 60 00

Singapore

3M Singapore Pte Ltd
3M Technologies (Singapore) Pte Ltd
1 Yishun Avenue 7
Singapore 768923
(65) 6450 8888 (Yishun)

Sweden

3M Svenska AB
Bollstanäsvägen 3
191 89 Sollentuna
+46 8 92 21 00

Switzerland

3M (Schweiz) AG
Eggstrasse 93,
Postfach 8803 Rüschlikon
+41 1 724 92 21

Turkey

3M Sanayi ve Ticaret A.Ş
Şehit Sinan Eroğlu Cad
Suryapı Akel İş Merkezi No:6
A Blok Kavacık Beykoz
34805 Istanbul
(90) 216 538 07 77

Ukraine

3M Ukraine30-B,
Fizkultury St., Business center "Farenheit"
3rd floor, Kyiv, 03680,
+380 44 490 57 77

United Arab Emirates

3M Gulf Ltd
P.O. Box 20191 Building 11,
Third Floor, Dubai Internet City,
Deira
+ 971 4 367 0777

COMHEAD®

PROTECTIVE EAR TO EAR COMMUNICATION



Comhead Headset Company GmbH
Borsteler Chaussee 51
22453 Hamburg
Germany

www.comhead.de
info@comhead.de
+49 40 500 580 20

3M

FP3844REVC
© 3M 2018. All rights reserved.
Please recycle.

3M is a trademark of 3M Company, used under license in Canada.
PELTOR is a trademark of 3M Company, used under license in
Canada.

Patent: www.3M.com/patent
3M Personal Safety Division products are for occupational use only.